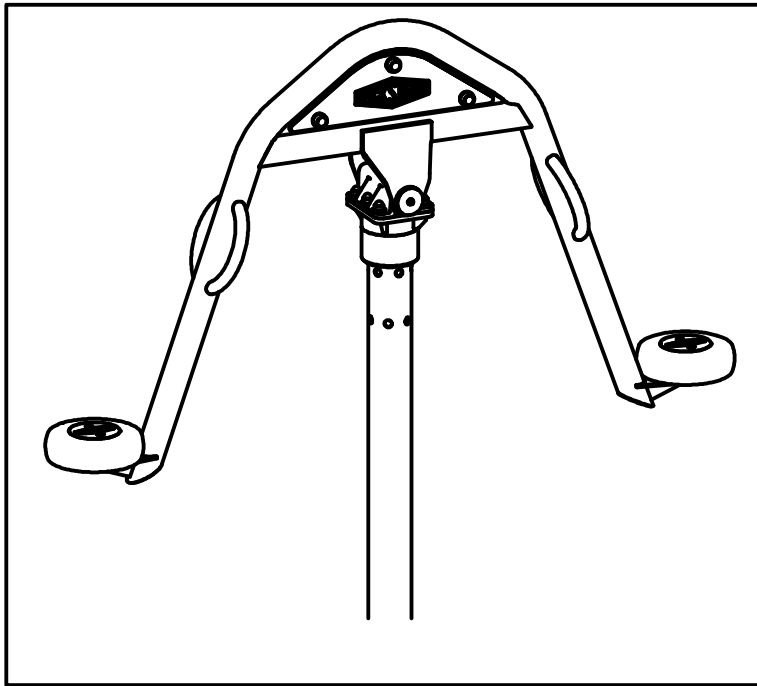



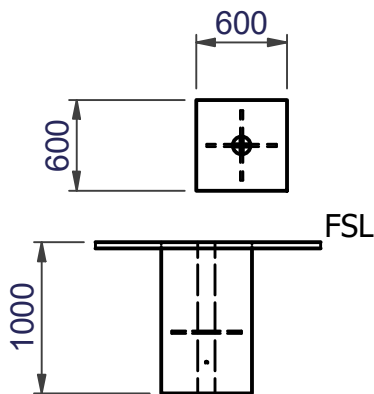
Installation Instructions



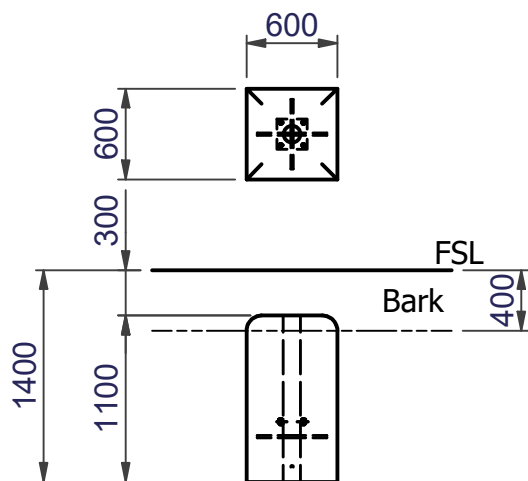
Rockerplay	
SPINABOUNCE	
PROD. CODE	6060-114
SIZE	1976x260x1713
AGE RANGE	6 -14 years
F/ FALL HEIGHT	Max 1120mm
HEAVIEST PART	Approx 61 kg
TOTAL WEIGHT	Approx 122 kg
 <small>100 YEARS OF PLAY - SINCE 1918 -</small>	

Foundation Detail

(Care must be taken in abnormal conditions)



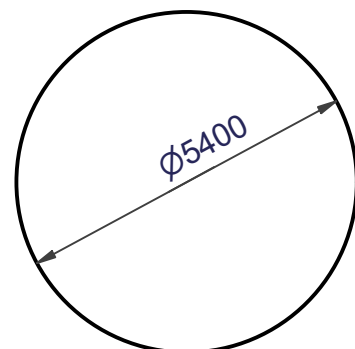
Foundation Detail - Bark



FSL = Finished Surface Level

1. Read instructions thoroughly before commencing installation of unit.
2. Excavate foundations as shown on the foundation plan.
3. Position item 1 Main beam & support assy in the prepared hole, ensuring that it is at the correct height vertical in both directions.
4. Backfill with 0.36 m³ concrete (4 parts gravel, 2 parts sand & 1 part cement).
5. Allow concrete to set for a period of 48 hours.
6. Fit item 1 as shown on sheet 5 ensuring that all fastenings are fully tightened.

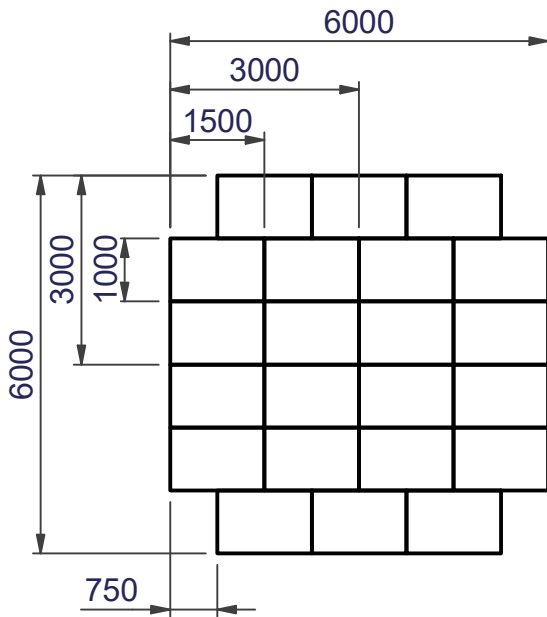
Space & Safety Surfacing - Wetpour
 23 Sq. Metres 40mm Wetpour
 17 Linear Metres Wetpour Edging



Note:- Ensure all installation aids are removed before first use

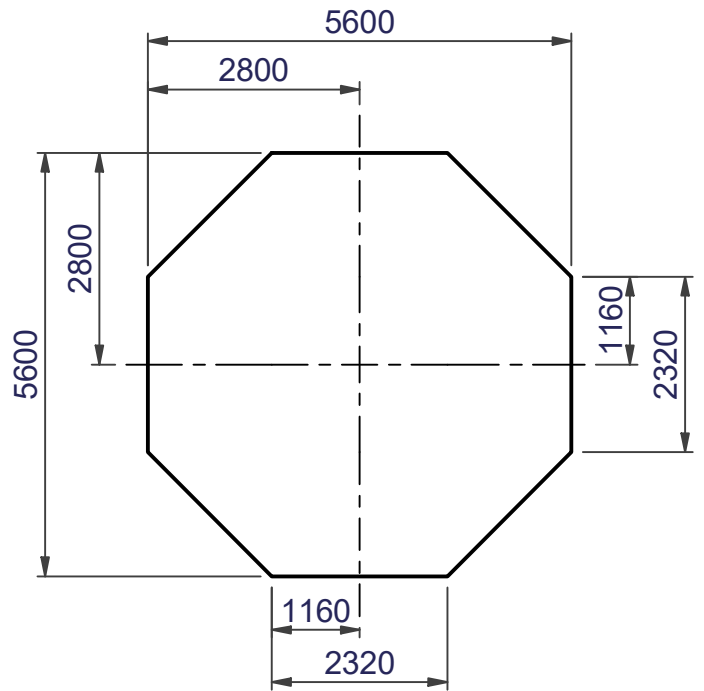
Grass Mats
22 off Total

Dimensions to centre of unit

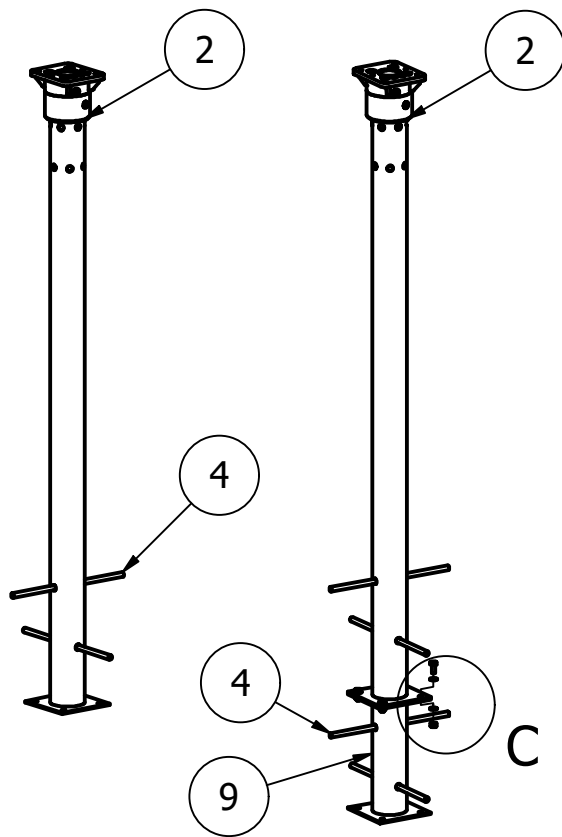


Bark- Loose fill
26 Sq. Metres
400mm Thickness
19 Linear Metres of Edging

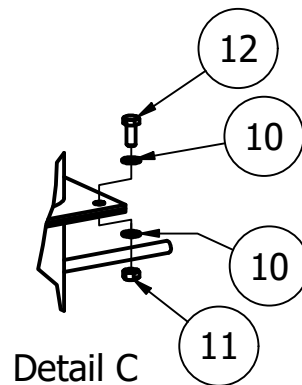
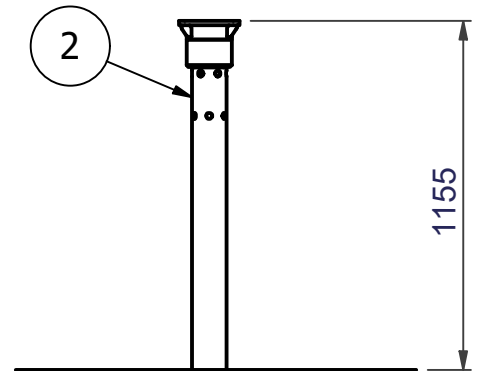
Dimensions to centre of unit



Centre Pole & Bearing Assembly



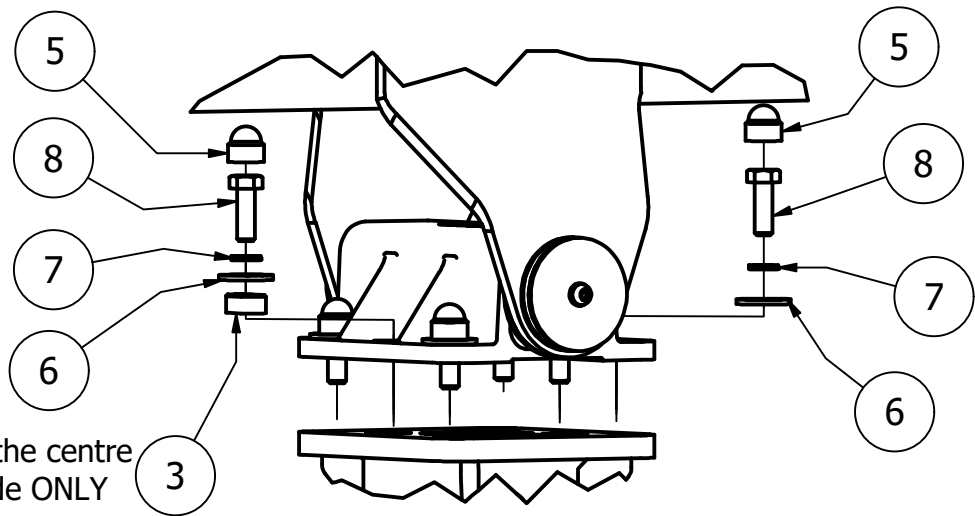
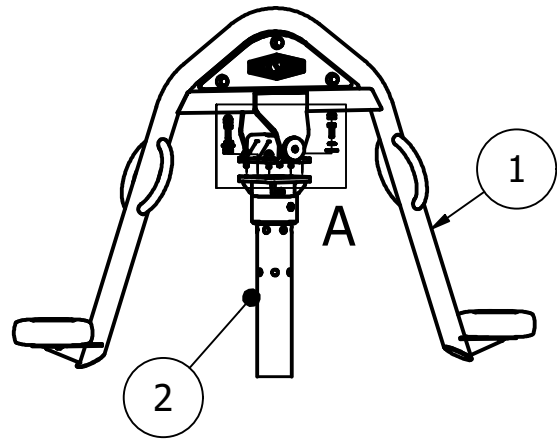
Bark Fixing



Detail C
(1 : 10)

Fixing Details

Item 1 Overbeam, suspension & seat assy
to item 2 Centre pole & bearing assy



Item 3 fitted in the centre position each side ONLY

Detail A
(1 : 5)

Parts List			
ITEM	QTY	PART NUMBER	DESCRIPTION
1	1	5112-130	Overbeam, Suspension Unit & Seat Assy
2	1	5112-129	Centre Pole & Bearing Assy
3	2	3756-178	Fixing Locator
4	2	3756-178	460mm Spragging Iron
5	6	2613-016	M12 Nut Cap
6	6	2215-515	M12 EXTRA LARGE PLAIN WASHER
7	6	2212-213	M12 NORD LOCK WASHER
8	6	2175-136	M12 x 35 LG HEX HD SCREW

Additional parts for Bark fixing			
ITEM	QTY	PART NUMBER	DESCRIPTION
4	2	3756-178	460mm Spragging Iron
9	1	4202-902	Bark Below Ground Fixing
10	8	2215-509	M12 Plain Washer
11	4	2191-011	M12 Binx Nut
12	4	2175-135	M12 x 30 LG HEX HD SCREW

Height settings

