

<h1>Swings</h1>	
<h2>Surf Rider</h2>	
PROD. CODE	6040-117
SIZE	1825x1640x770
AGE RANGE	6 to 14 Years
F/ FALL HEIGHT	825mm
HEAVIEST PART	Approx 38 Kg
TOTAL WEIGHT	Approx 124 Kg

### SPECIFICATION

Steel plate to EN 10025-2:2004  
 Steel CHS to EN 10210 S355  
 Welding to EN ISO 14341:2011  
 Polyester powder paint to EN 13438:2005  
 Standard fixings to BS 3692:2001 and  
 BS 4190:2001

Non-standard fixings are anti-vandal and  
 corrosion resistant  
 Flat rubber seats have an aluminium insert  
 bonded to a synthetic rubber (EPDM)  
 honeycomb construction

### INSTALLATION INSTRUCTIONS

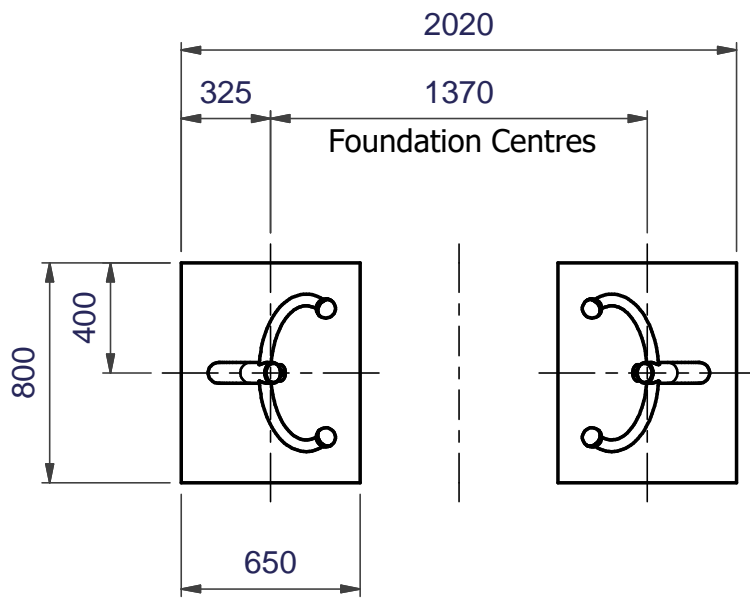
- 1 Read instructions thoroughly before commencing installation of unit.
- 2 Excavate foundations as shown in the foundation plan.
- 3 Position uprights on bricks in foundation holes.
- 4 Use installation aid to position the uprights and maintain correct height, angle and spacing.
- 5 Backfill foundations with approx 0.67m<sup>3</sup> concrete (4 parts gravel/2 parts sand/1 part cement).
- 6 Allow concrete to set for 48 hours.
- 7 Attach chains to fixing lugs.

Note

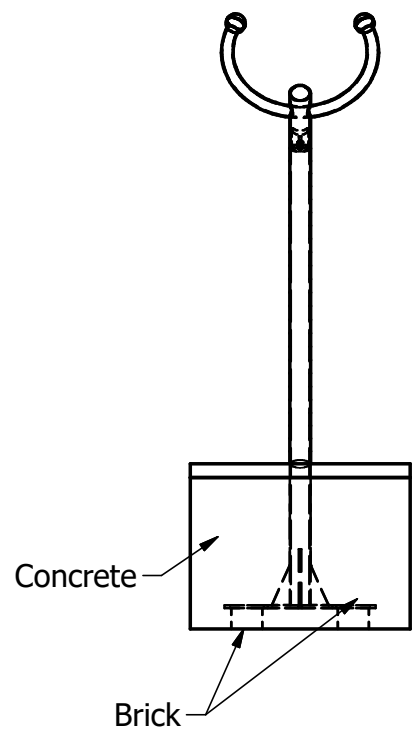
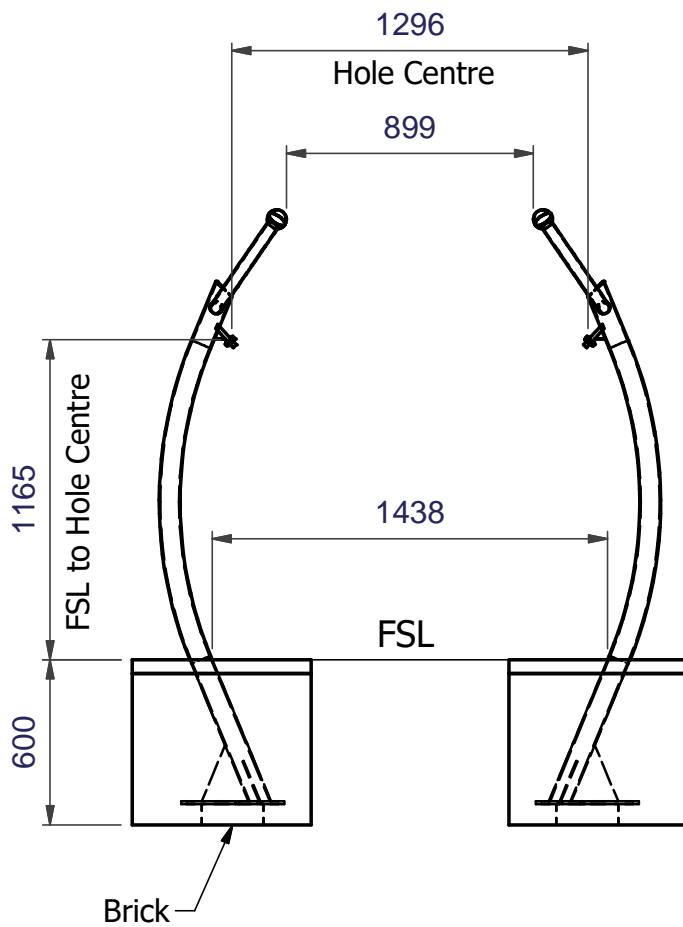
**Note ENSURE ALL INSTALLATION AIDS ARE REMOVED BEFORE FIRST USE!**

# Foundation details

Care must be taken in abnormal conditions



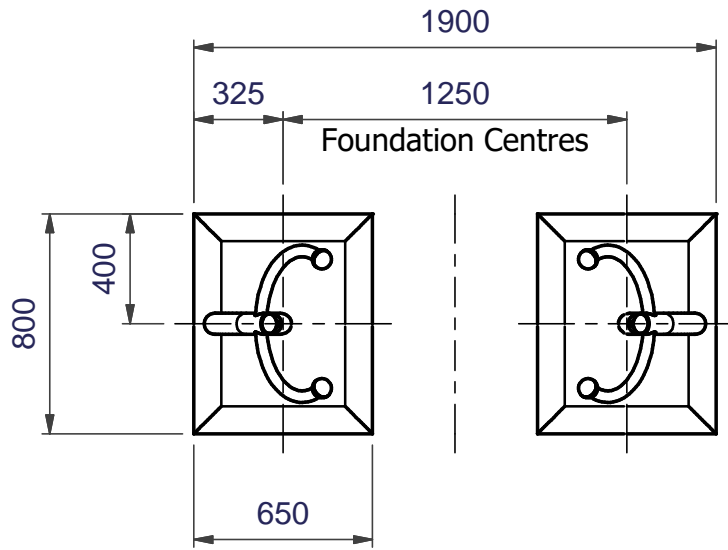
**IMPORTANT :- Use installation aid to position uprights see sheet 4 for details**



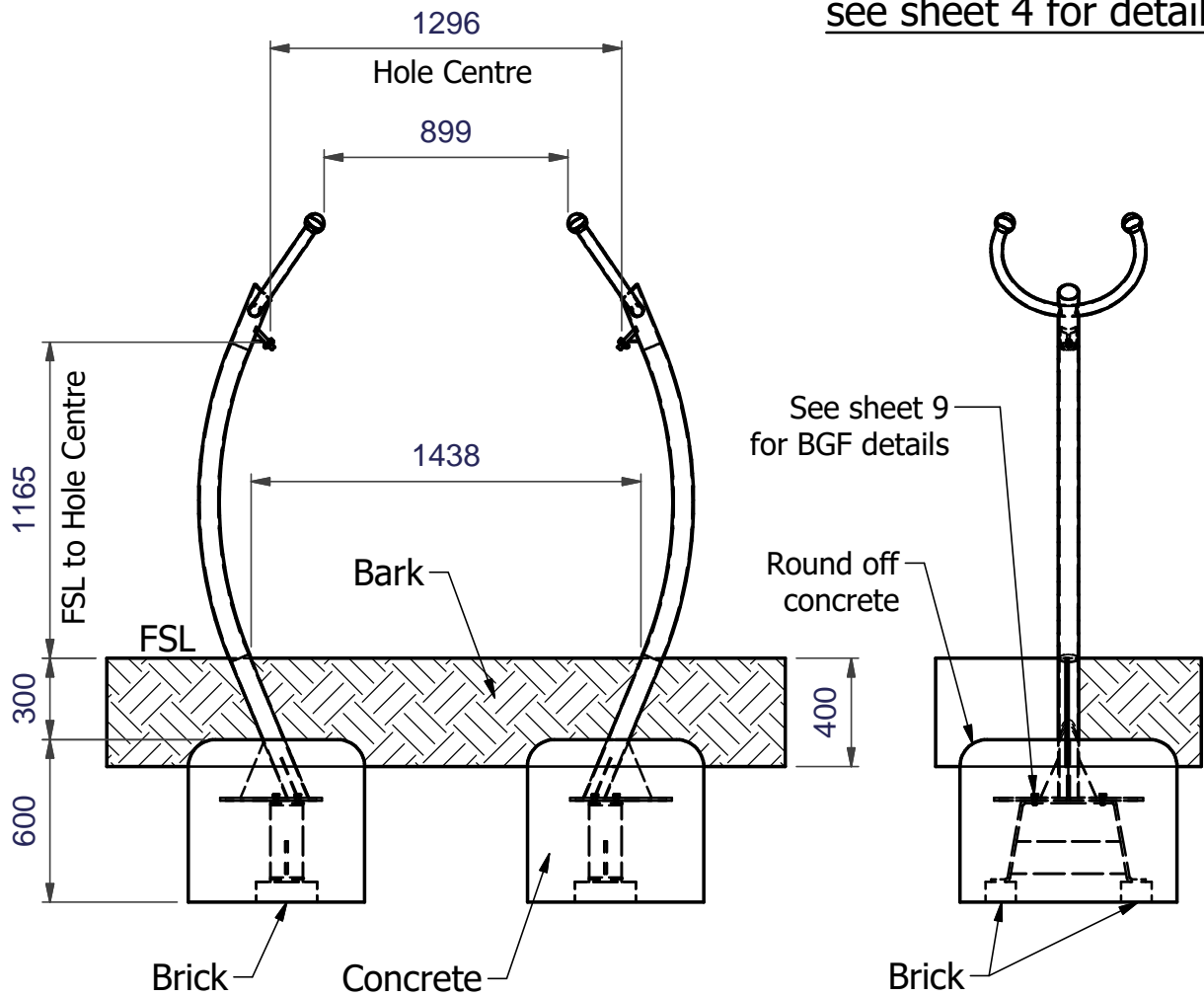
FSL = Finished Surface Level

# Bark Foundation details

Care must be taken in abnormal conditions

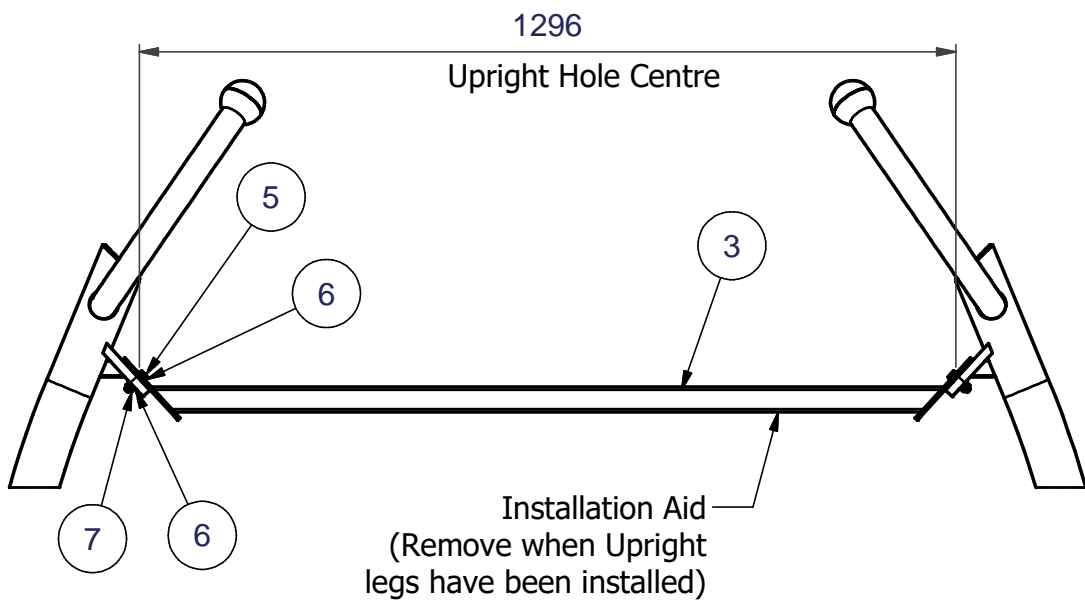
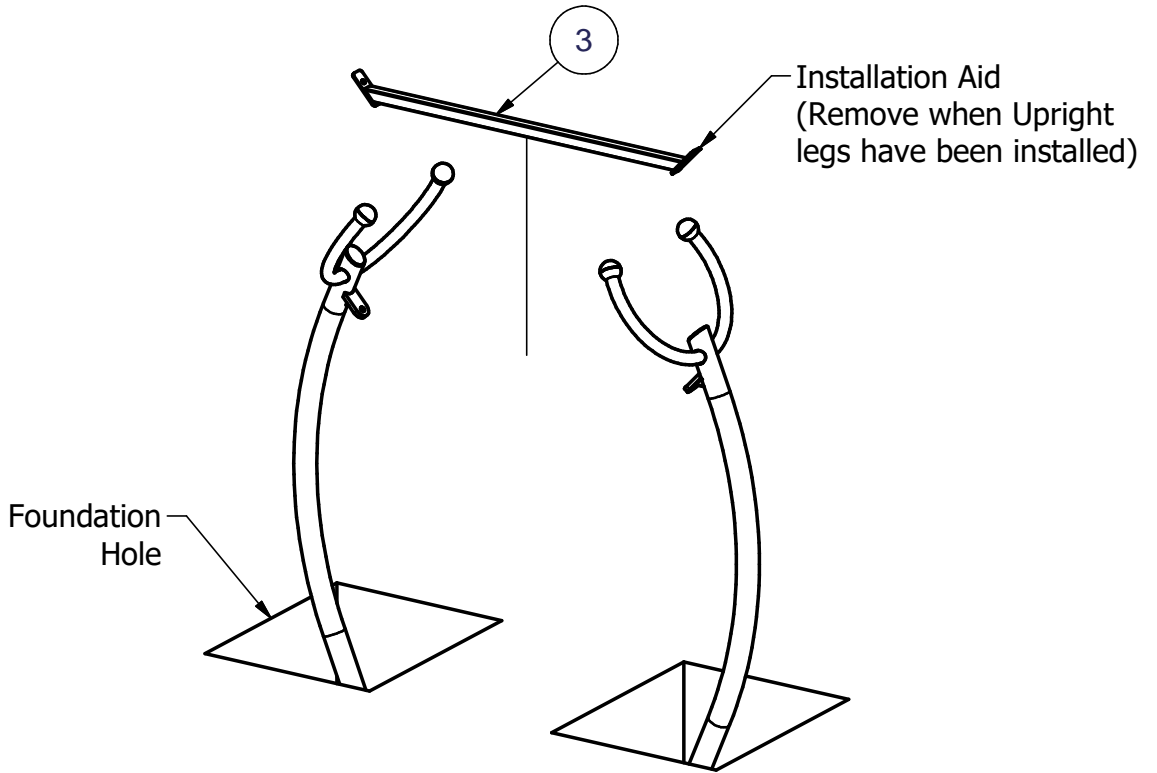
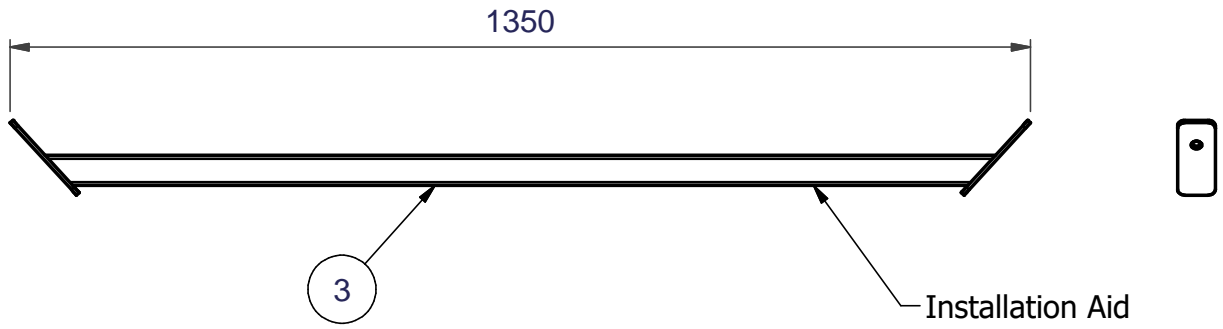


**IMPORTANT :- Use installation aid to position uprights see sheet 4 for details**

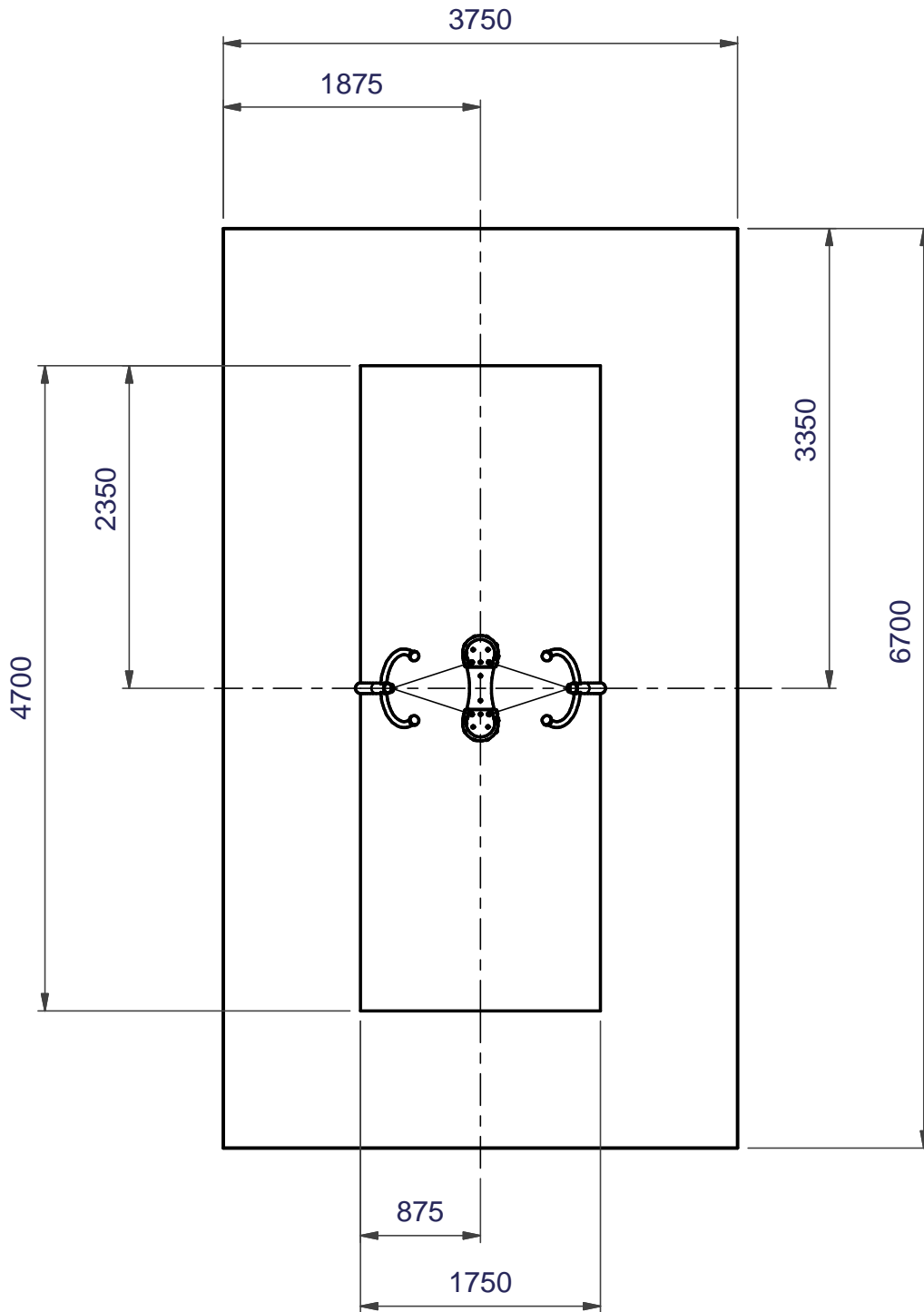


FSL = Finished Surface Level

# Installation Aid



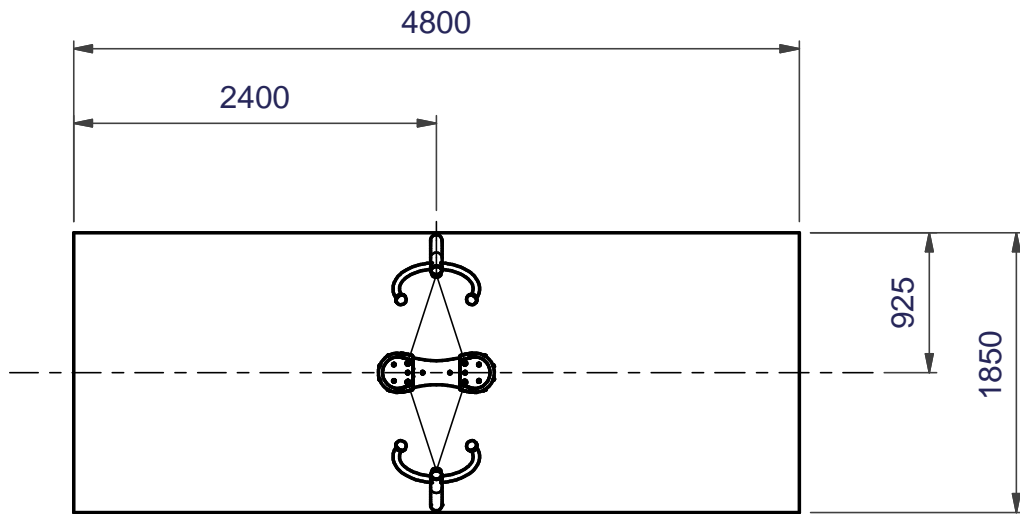
Minimum Space and Separation



Safety Surfacing - Wetpour

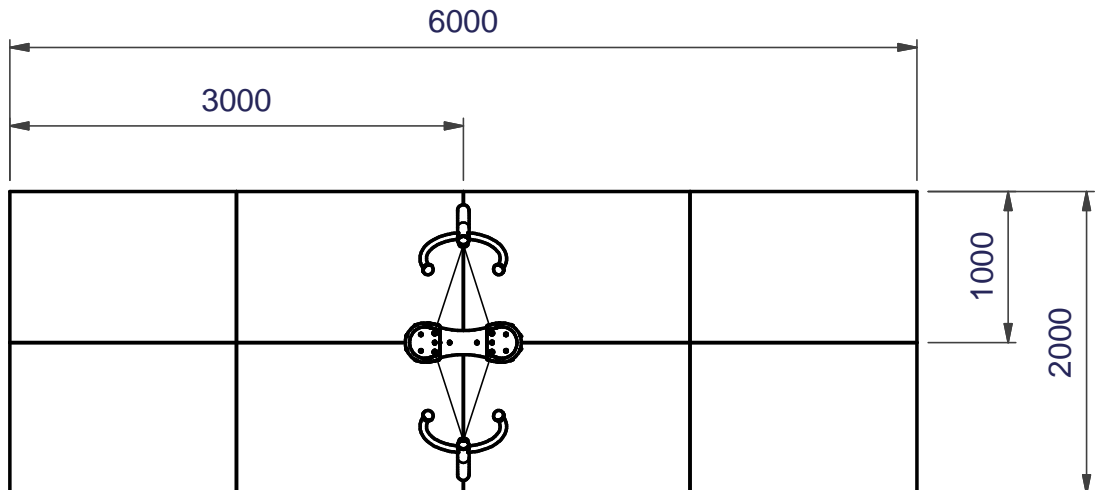
9m<sup>2</sup> 40mm wetpour

13.5m Linear metres wetpour edging



Safety Surfacing - Grass Mats

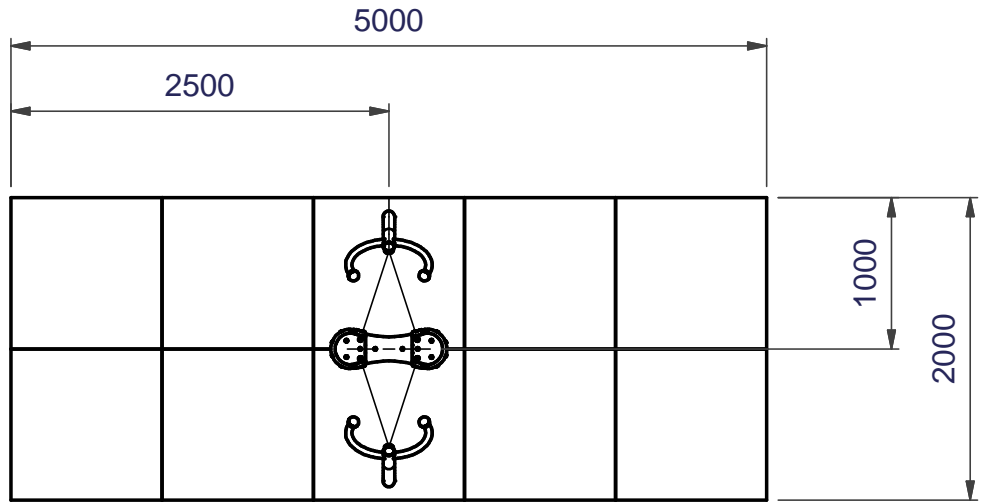
8 Grass mats (1.5m x 1.0m)



Safety Surfacing - Tiles

10 No. 55mm Tiles

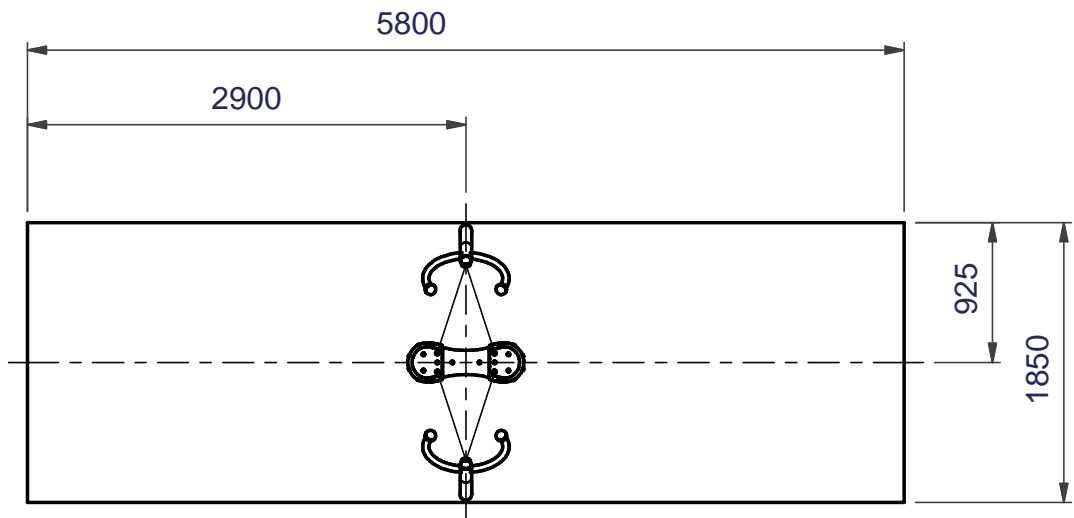
14m Linear metres edging



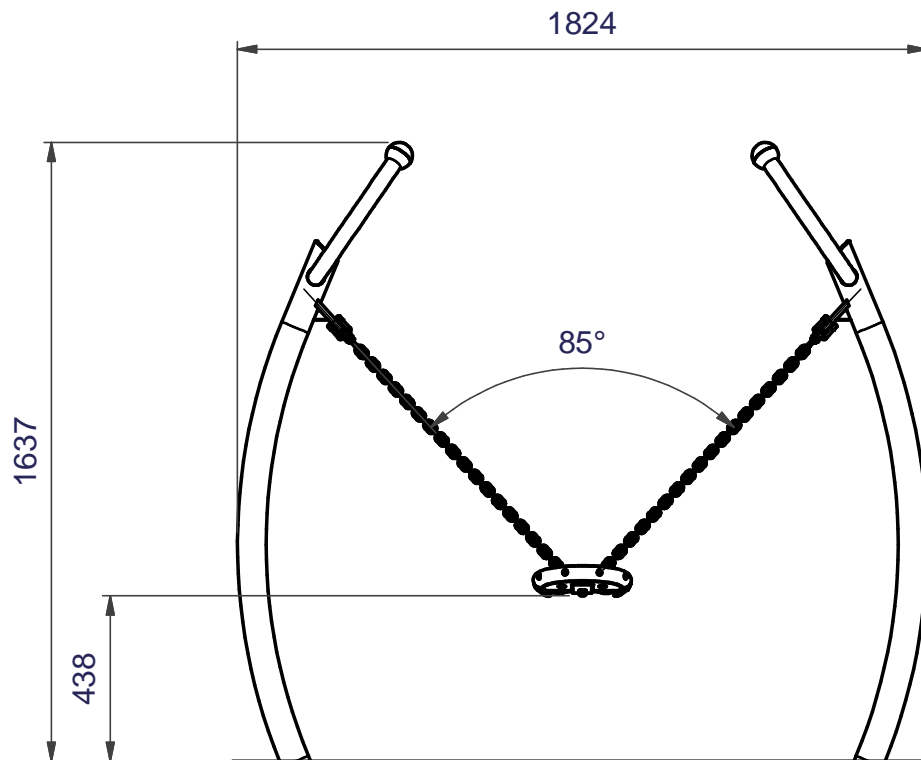
Safety Surfacing - Loosefill

11m<sup>2</sup> Loosefill area

15.5m edging

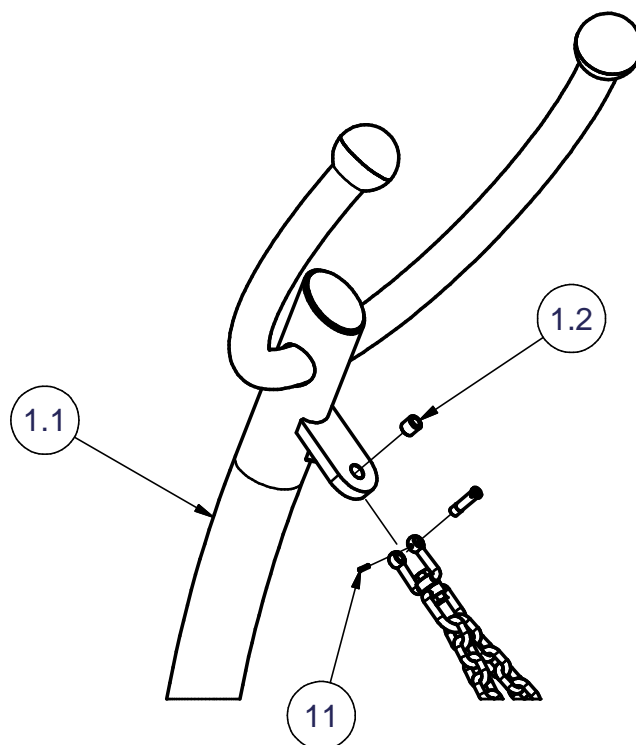


## 6040-117 - Surf Rider Assembly



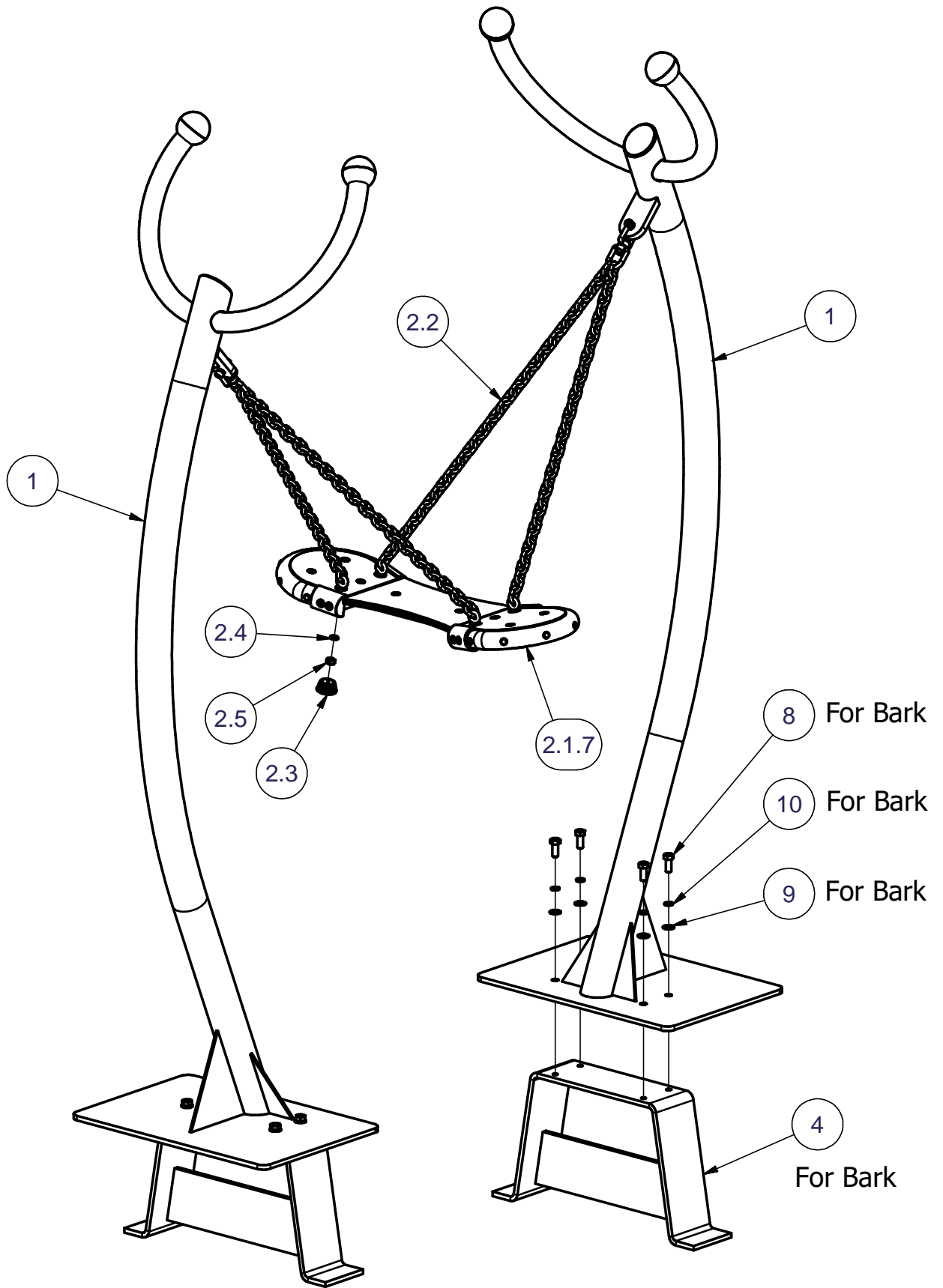
### Chain to fixing lug assembly detail

Fit the shackle to the fixing lug, securing with the sellok pin.

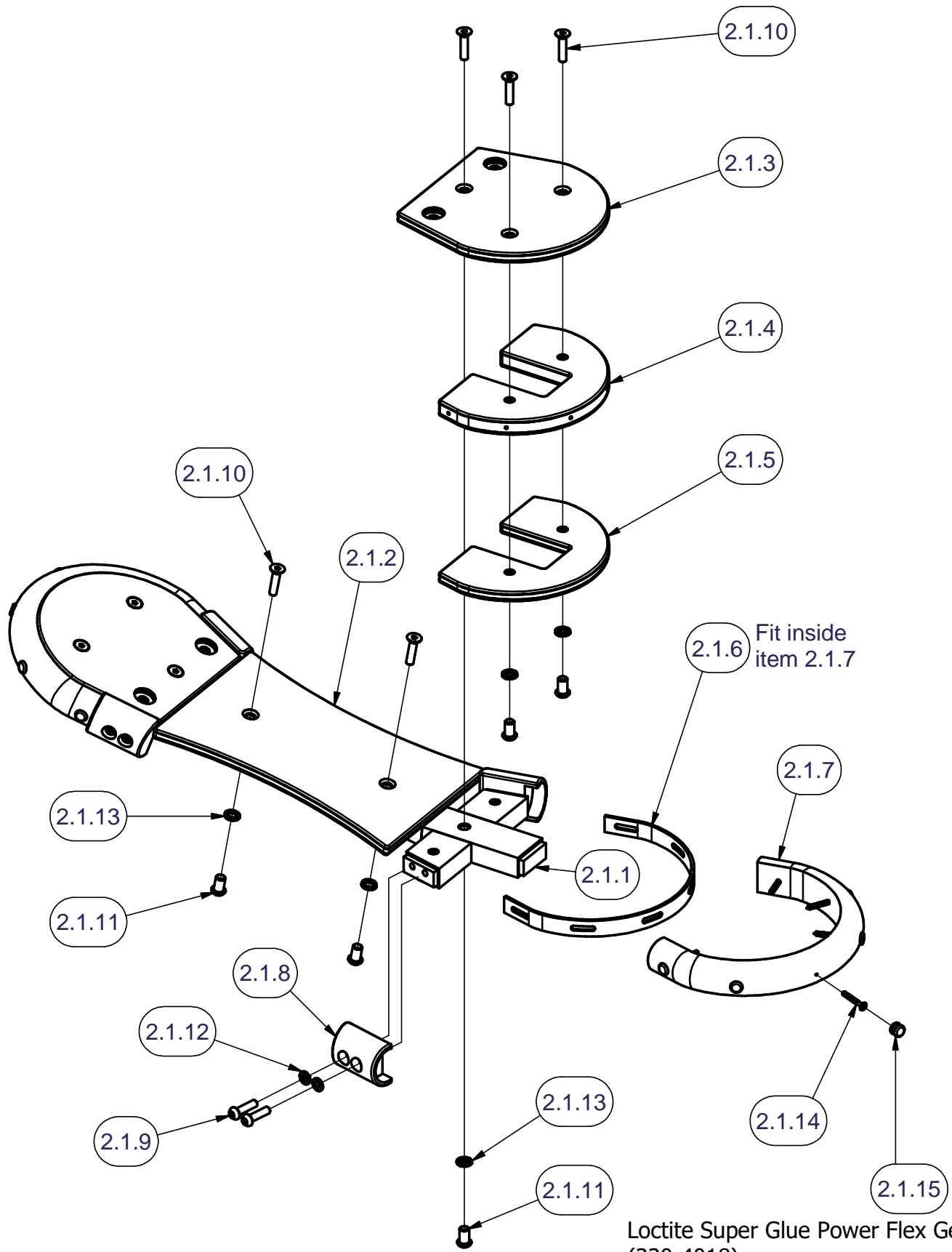




Fixing Details for Maintenance



# Fixing Details for Maintenance



Loctite Super Glue Power Flex Gel (330-4018)  
Loctite SG 3g

Parts List			
ITEM	QTY	PART NUMBER	DESCRIPTION
1	2	4202-824	Surf Rider - Support Frame Assembly
1.1	1	4202-818	Surf Rider - Support Frame
1.2	1	2511-045	OILITE BUSH CT5
2	1	4202-819	Surf Rider - Chain & Surface Board Assy
2.1	1	4202-820	Surf Rider - Surface Board
2.1.1	1	4202-822	Spine of Board
2.1.2	1	3756-214	Centre Board Panel
2.1.3	2	3756-215	End Top Board Panel
2.1.4	2	3756-216	End Central Board Panel
2.1.5	2	3756-217	End Bottom Board Panel
2.1.6	2	3050-217	Internal Edging Strip
2.1.7	2	3730-198	End Board Panel Edging
2.1.8	4	3730-199	Edging End Stop
2.1.9	8	2176-153	M8 x 30 Pent Button Head
2.1.10	8	2176-229	M8 x 35 LG PENT C'SK SCREW
2.1.11	8	2177-001	M8 Safety Fastener
2.1.12	8	2212-202	M8 Spring Washer
2.1.13	8	2212-212	M10 NORD LOCK WASHER
2.1.14	12	2111-008	WOOD SCREW No 10 x 1½" C'SUNK POZI
2.1.15	12	2611-049	Blind Grommet (for hole Ø9.5x6)
2.2	2	4061-240	Surf Rider - Chain Assembly
2.3	4	2611-005	END PLUG (1¼ NB)
2.4	4	2212-212	M10 NORD LOCK WASHER
2.5	4	2191-010	M10 Binx Nut
3	1	4202-817	Surf Rider - Installation Aid (1350mm Lg)
4	2	5071-039	SWING BGF
5	2	2185-021	M8 x 35 Hex Head Bolt
6	4	2215-507	M8 Washer
7	2	2193-004	M8 HEX NUT
8	8	2175-135	M12 x 30 LG HEX HD SCREW
9	8	2215-509	M12 Plain Washer
10	8	2212-204	M12 Spring Washer
11	2	2223-023	DIA 1/8" x 5/8" LG SELLOK PIN

COMPILED MC	REV	0	1						
	ECN	1774	Minor						
DATE: 10/11/17	SIG.	MC	MC						
	DATE:	07/02/18	29/04/19						

# DESPATCH LIST

Product: 6040-117 - Surf Rider

Date of Issue: 10/11/17

Order No:

Issue: A

Item	Unit Qty	Description	Part No.	Checked
1	2	Surf Rider - Support Frame Assembly	4202-824	
2	1	Surf Rider - Chain & Surface Board Assembly	4202-819	
3	1	Installation Aid (1350mm Lg)	4202-817	
<b>Items marked * to be fitted before despatch</b>				

Total No. of Items

Picked By:

Checked By:

COMPILED BY: MC	REV	0				
	ECN No.	Minor				
DATE: 10/11/17	DATE	10/11/2017				
	SIGN	MC				

# FIXINGS LIST

Product: 6040-117 - Surf Rider Date of Issue: 10/11/17

Order No: Issue: A

Item	Unit Qty	Description	Part No.	Checked
1	2	M8 x 35 Lg Hex Head Screw	2185-021	
2	4	M8 Washer	2215-507	
3	2	M8 Nut	2193-004	
4	2	Dia 1/8" x 5/8" Lg Sellock Pin	2223-023	
Items marked * to be fitted before despatch				

Total No. of Items

Picked By: Checked By:

COMPILED BY: MC	REV	0				
	ECN No.	Minor				
DATE: 10/11/17	DATE	10/11/2017				
	SIGN	MC				

# DESPATCH LIST

Product: 6040-917 - Surf Rider - Bark Date of Issue: 10/11/17

Order No: \_\_\_\_\_ Issue: A

Item	Unit Qty	Description	Part No.	Checked
1	2	Surf Rider - Support Frame Assembly	4202-824	
2	1	Surf Rider - Chain & Surface Board Assembly	4202-819	
3	1	Installation Aid (1350mm Lg)	4202-817	
4	2	Swing BGF	5071-039	
<b>Items marked * to be fitted before despatch</b>				

Total No. of Items

Picked By: \_\_\_\_\_ Checked By: \_\_\_\_\_

COMPILED BY: MC	REV	0				
	ECN No.	Minor				
DATE: 10/11/17	DATE	10/11/2017				
	SIGN	MC				

# FIXINGS LIST

Product: 6040-917 - Surf Rider - Bark Date of Issue: 10/11/17

Order No: \_\_\_\_\_ Issue: A

Item	Unit Qty	Description	Part No.	Checked
1	2	M8 x 35 Lg Hex Head Screw	2185-021	
2	4	M8 Washer	2215-507	
3	2	M8 Nut	2193-004	
4	2	Dia 1/8" x 5/8" Lg Sellock Pin	2223-023	
		<b>BGF Fixings</b>		
5	8	M12 x 30 Hex Head Screw	2175-135	
6	8	M12 Washer	2215-509	
7	8	M12 Spring Washer	2212-204	
<b>Items marked * to be fitted before despatch</b>				

Total No. of Items

Picked By: \_\_\_\_\_ Checked By: \_\_\_\_\_

COMPILED BY: MC	REV	0					
	ECN No.	Minor					
DATE: 10/11/17	DATE	10/11/2017					
	SIGN	MC					