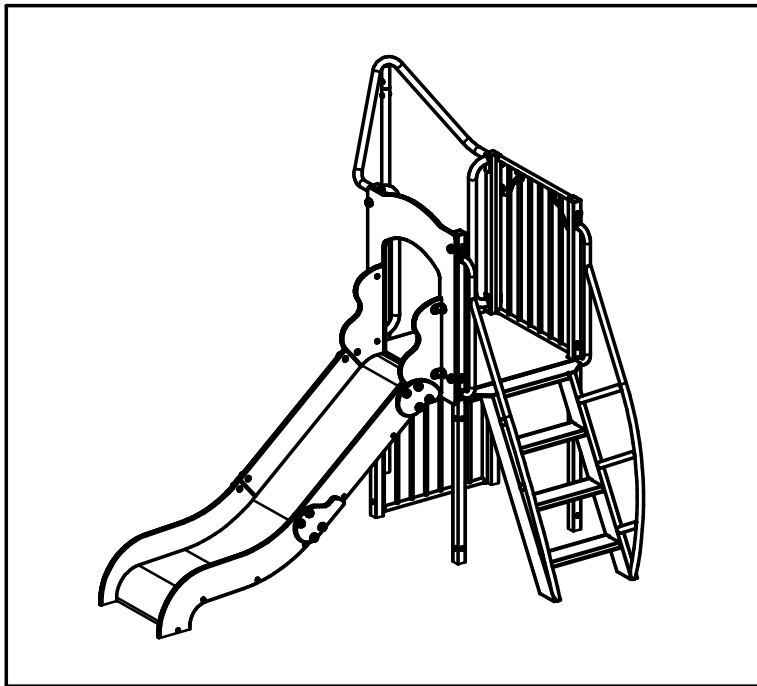


Installation Instructions



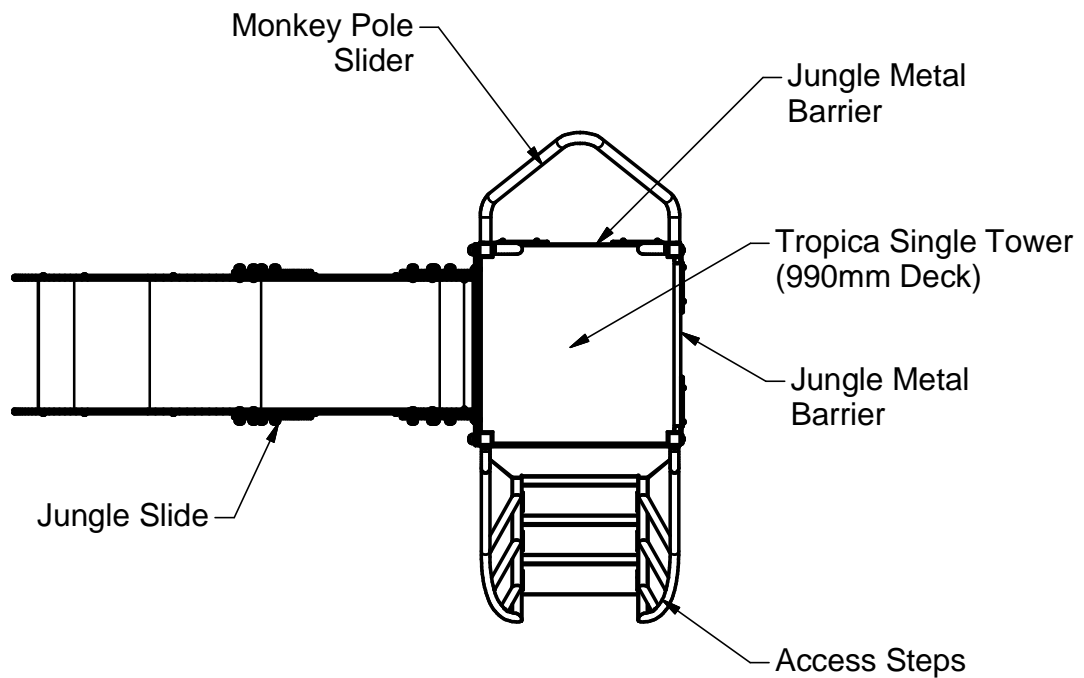
Planet Jungle

Sunburst

PROD. CODE	901-SUNB
SIZE	2670x2400x1950
AGE RANGE	3 to 8 Years old
F/ FALL HEIGHT	990mm
HEAVIEST PART	See Attached
TOTAL WEIGHT	See Attached



Layout Details



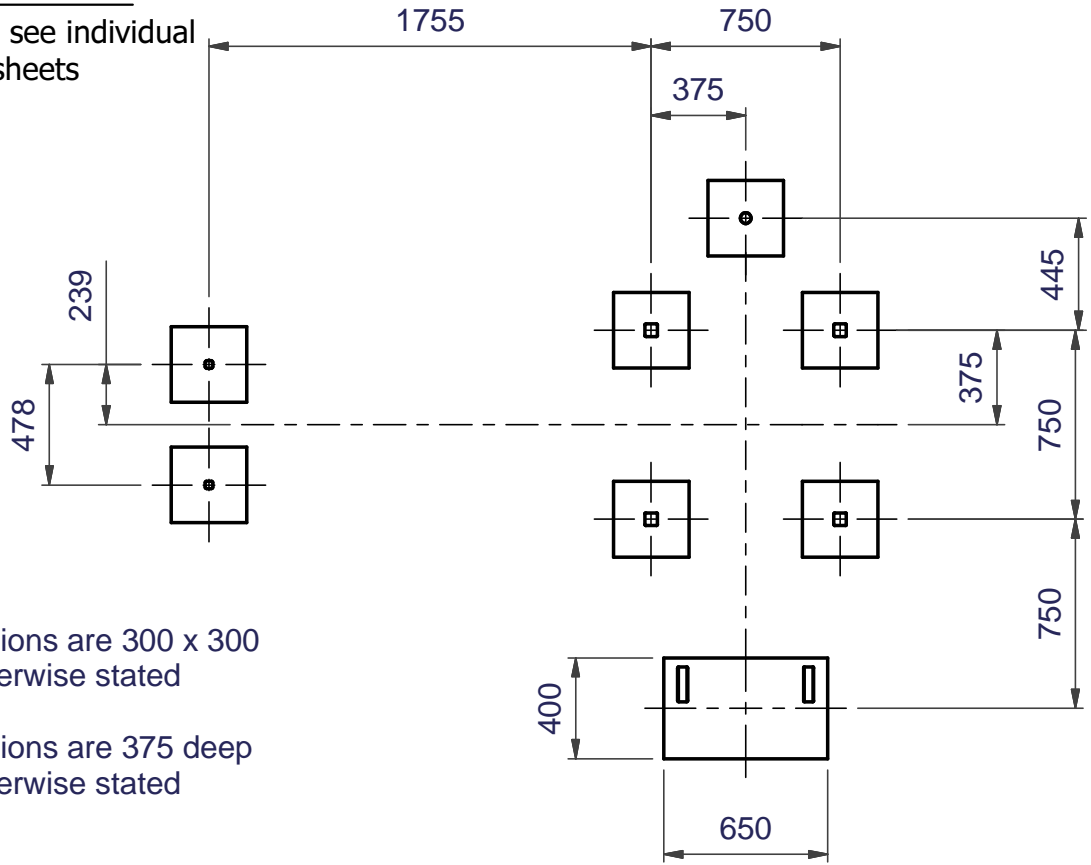
General Installation Instructions

- 1 Read instructions thoroughly before commencing installation of unit. For additional instruction on each unit see appropriate sheets attached.
- 2 Note:- In accordance with 6.1.3 EN1176-1:2008 we recommend that slides do not face south or near due south due to heat build up.
- 3 Excavate foundations as shown in the foundation plan.

Note:- 1. Ensure all installation aids are removed before first use.
2. Lifting Equipment or sufficient manpower should be used throughout installation.

Foundation Details

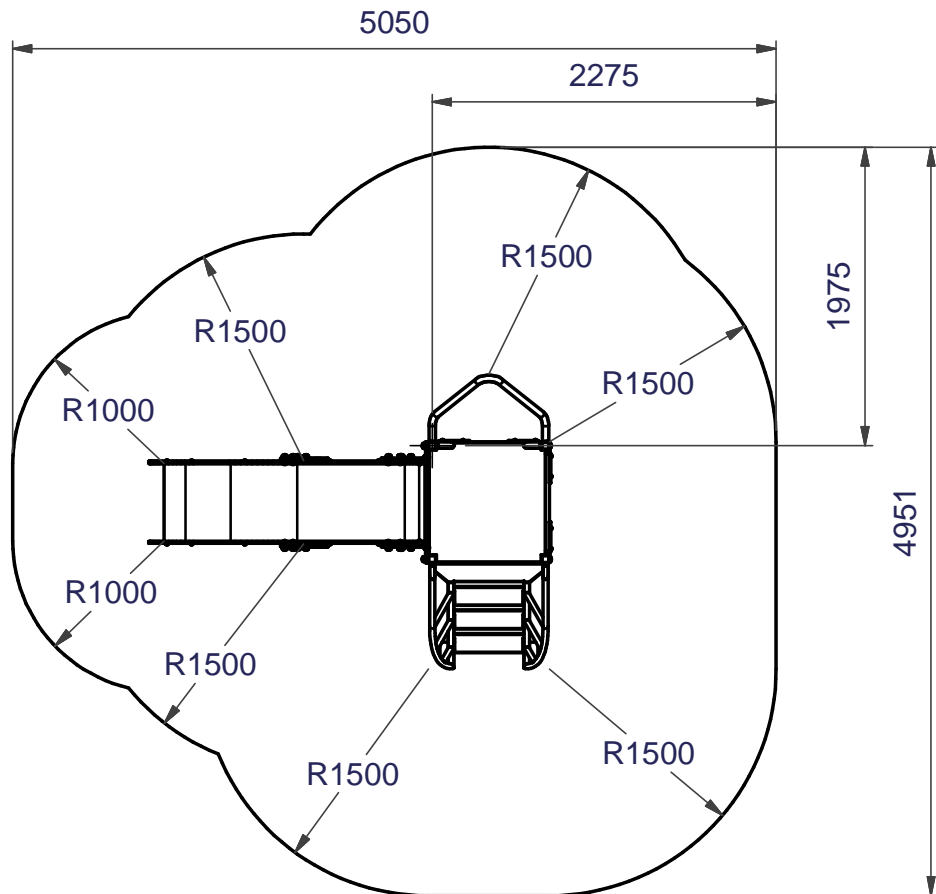
For loose fill see individual installation sheets



All foundations are 300 x 300 unless otherwise stated

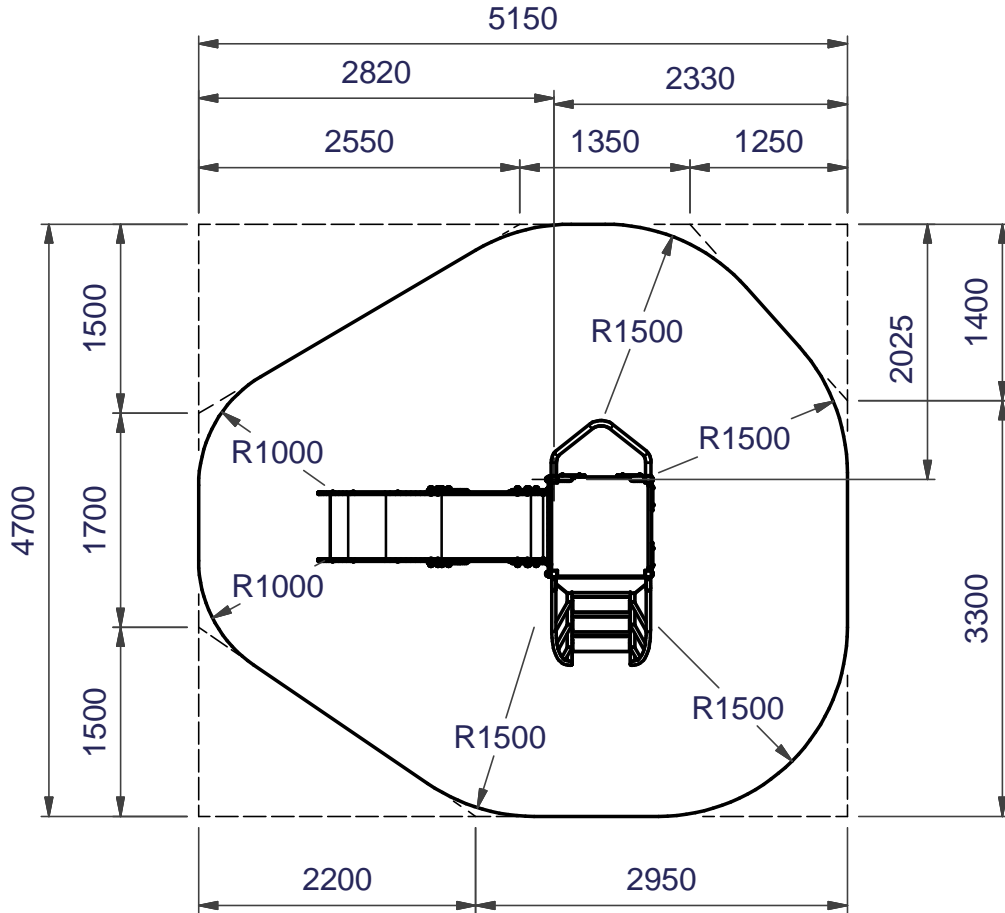
All foundations are 375 deep unless otherwise stated

Minimum Space



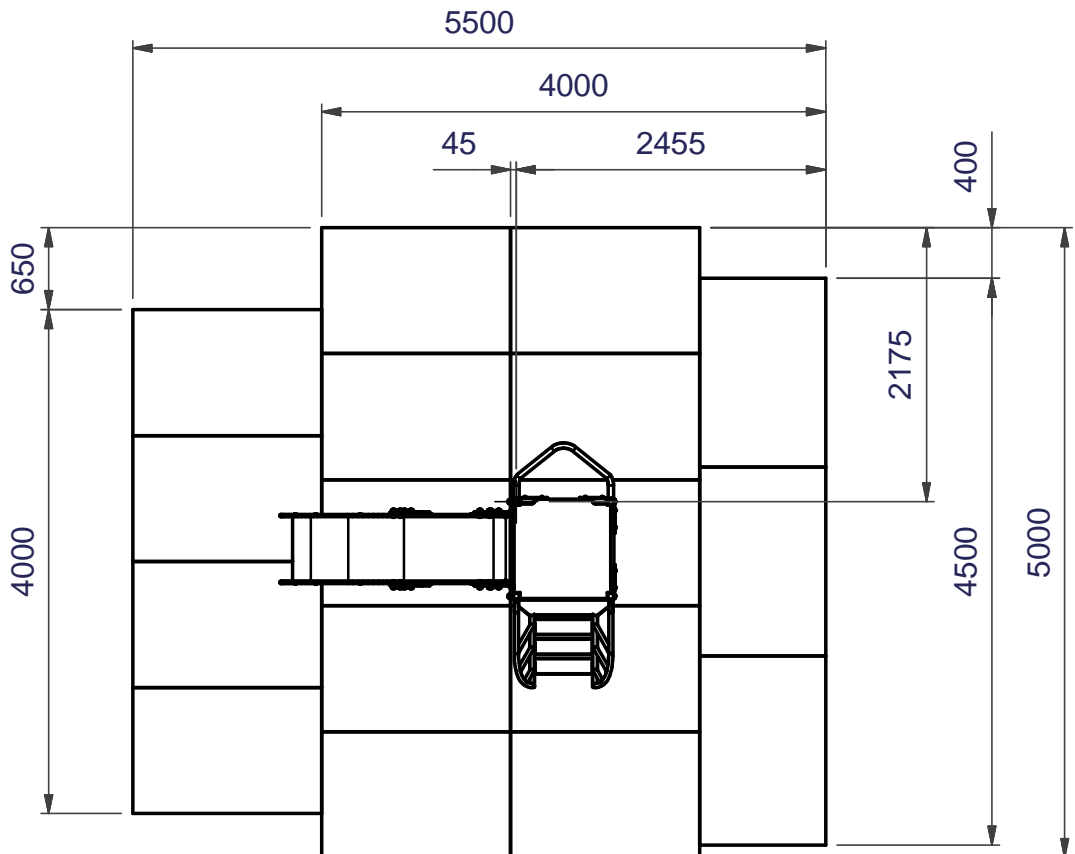
Wetpour Details

19.5 sq metres of 40mm wetpour
16.0 linear metres of edging



Grass Mat Details

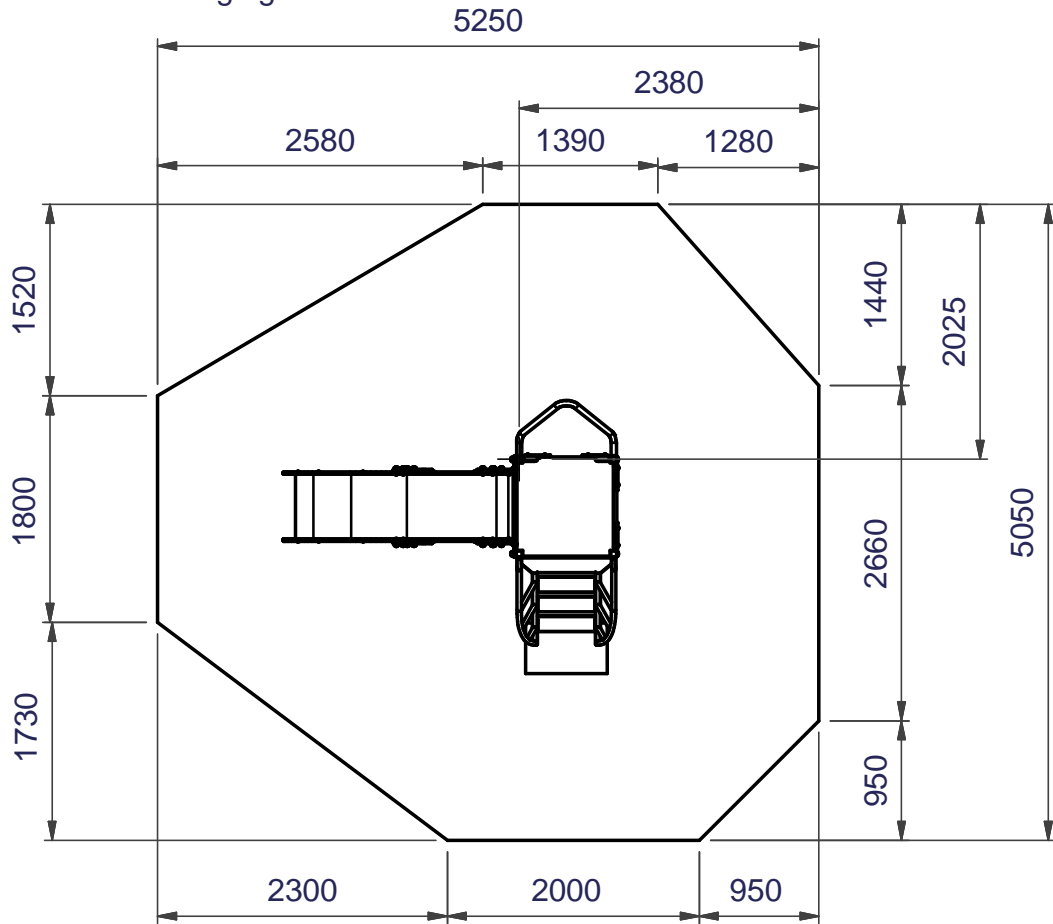
17 Grass mats



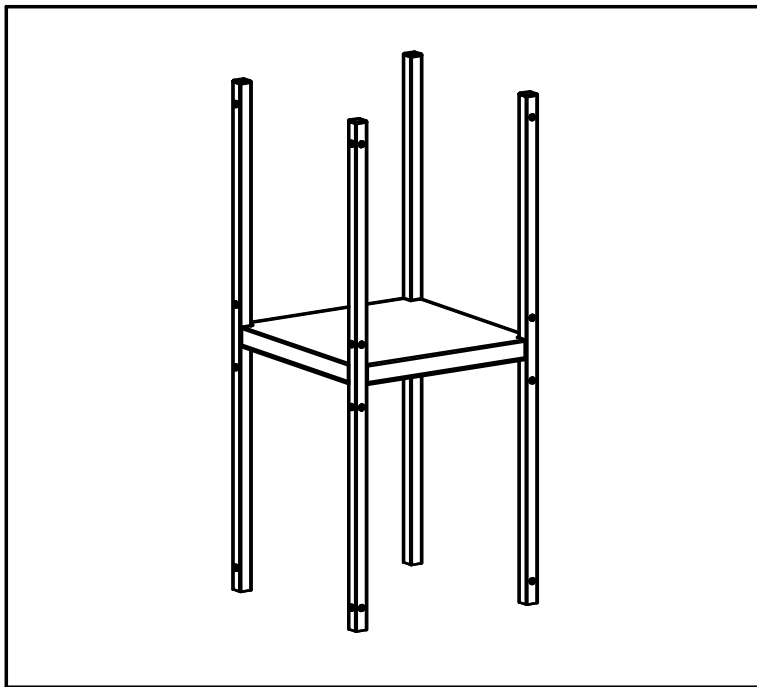
Bark Details

21.5 sq metres loose fill surfacing


17.0 linear metres loose fill edging

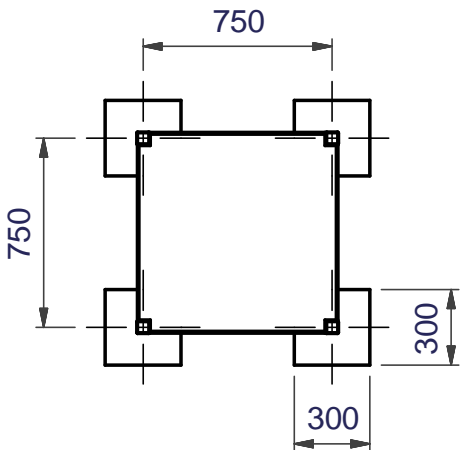
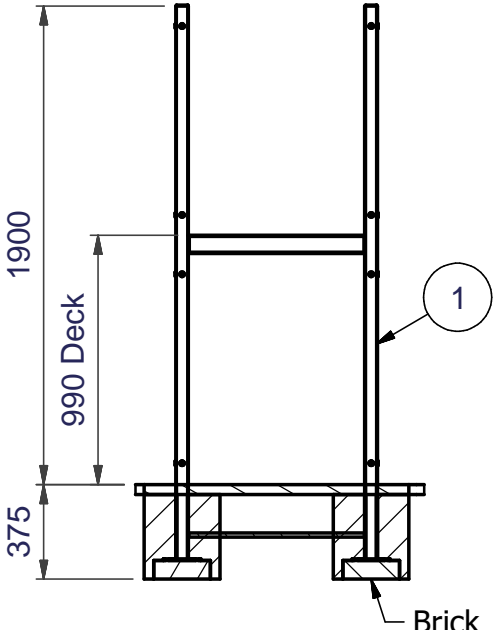


Installation Instructions



Tropica	
Single Tower	
PROD. CODE	90124
SIZE	800 x 2200 x 800
AGE RANGE	Up to 8 Years old
F/ FALL HEIGHT	990mm
HEAVIEST PART	Approx 70 Kg
TOTAL WEIGHT	Approx 70 Kg



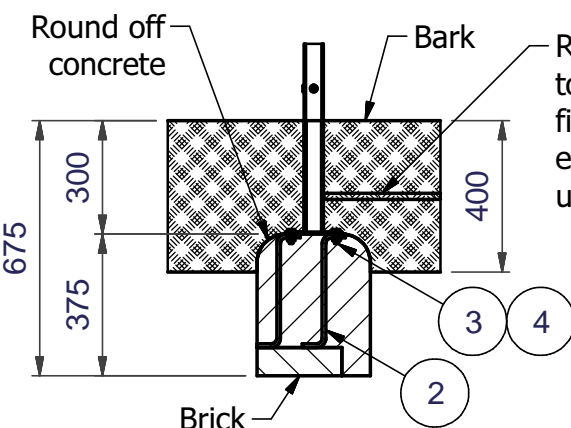



Installation Instructions

Care must be taken in abnormal conditions

- 1 Read instructions thoroughly before commencing installation of unit.
- 2 Excavate foundations as shown in the foundation plan.
- 3 Position the unit on bricks in excavated holes ensuring it is plumb, square, at the correct height, distance and orientation
- 4 Backfill the foundations with 0.12m³ concrete (4 parts gravel/2 parts sand/1 part cement).
- 5 Allow concrete to set for 48 hours before first use.

Parts List			
ITEM	QTY	PART NUMBER	DESCRIPTION
1	1	90124-01	TROPICA SINGLE TOWER W.A. (990mm Deck)
FOR BARK FIX ADDED			
ITEM	QTY	PART NUMBER	DESCRIPTION
2	8	5071-028	Z-SHAPED BGF
3	8	2175-116	M10 x 30 LG HEX HD SCREW
4	8	2193-006	M10 Nut



Round off concrete

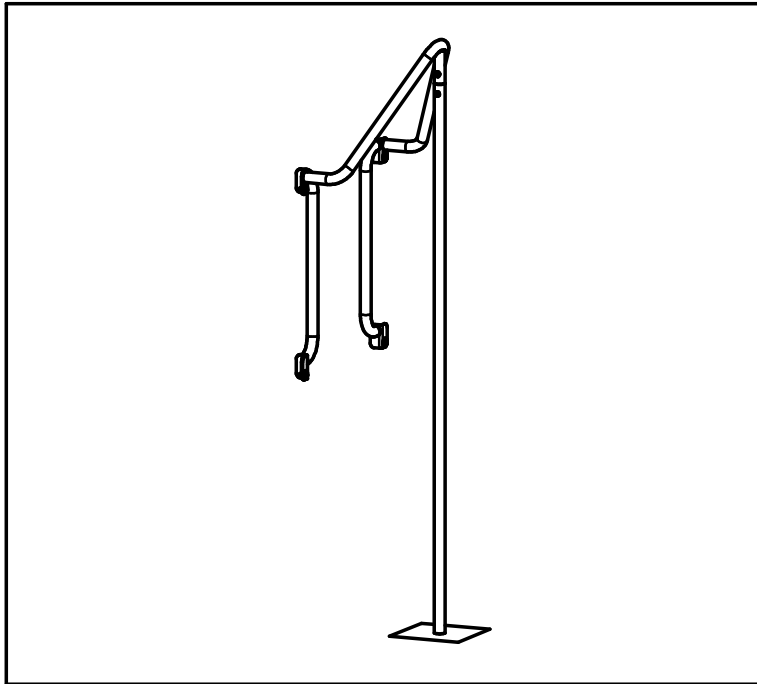
Bark

Remove bars back to uprights, smooth finish, no sharp edges. Paint untreated surfaces

Brick

Note:- 1. Ensure all installation aids are removed before first use.
 2. Lifting Equipment or sufficient manpower should be used throughout installation.

Installation Instructions



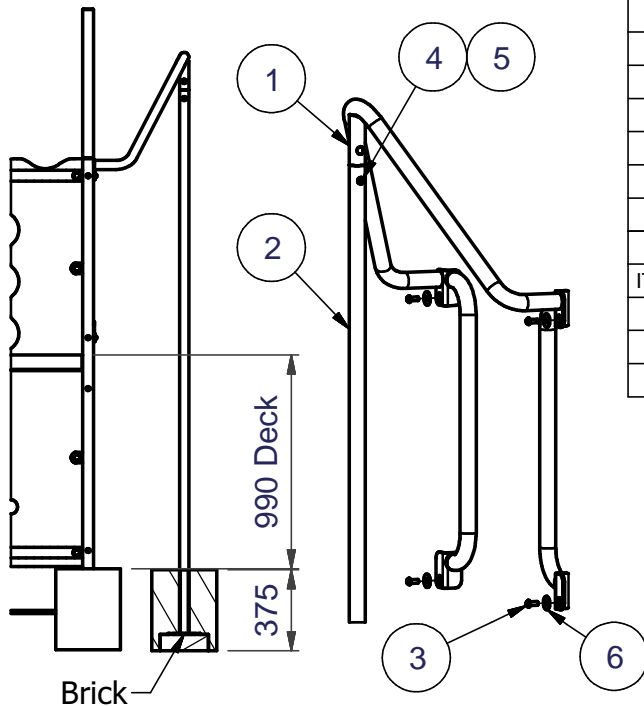
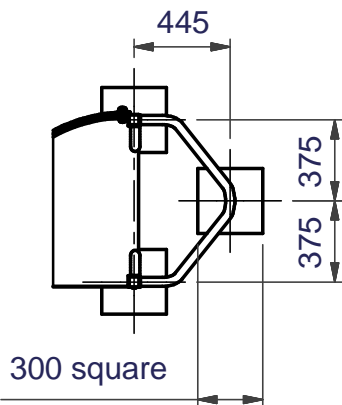
Planet Jungle Monkey Pole Slider	
PROD. CODE	90156
SIZE	0.8 x 0.45 x 2.37
AGE RANGE	Up to 8 Years old
F/ FALL HEIGHT	990mm
HEAVIEST PART	Approx 25.25
TOTAL WEIGHT	Approx 25.5

WICKSTEED
100 YEARS OF PLAY
— SINCE 1917 —

Installation Instructions

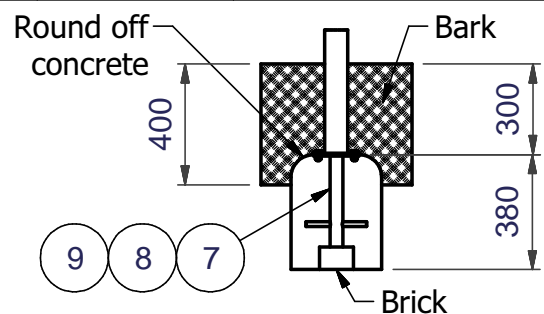
Care must be taken in abnormal conditions

- 1 Read instructions thoroughly before commencing installation of unit.
- 2 Excavate foundations as shown in the plan.
- 3 Position pole slider on a brick in the excavated hole, ensuring it is plumb, square and at the correct height.
- 4 Fix the pole slider to the tower as shown.
- 5 When the unit is fully assembled and all fixings secure, backfill the foundation with 0.03m³ of concrete (4 parts gravel/2 parts sand /1 part cement).
- 6 Allow concrete to set for 48 hours before first use.



PARTS LIST			
ITEM	QTY	PART NUMBER	DESCRIPTION
1	1	90156-02	WELDED MONKEY POLE SLIDER
2	1	4202-481	Sliding Pole Assy
3	4	2176-126	M10 x 25 Pent Button Head
4	1	2176-133	M10 x 40 Pent Button Head
5	1	2177-002	M10 Safety Fastener
6	4	2215-519	Wicksteed Washer

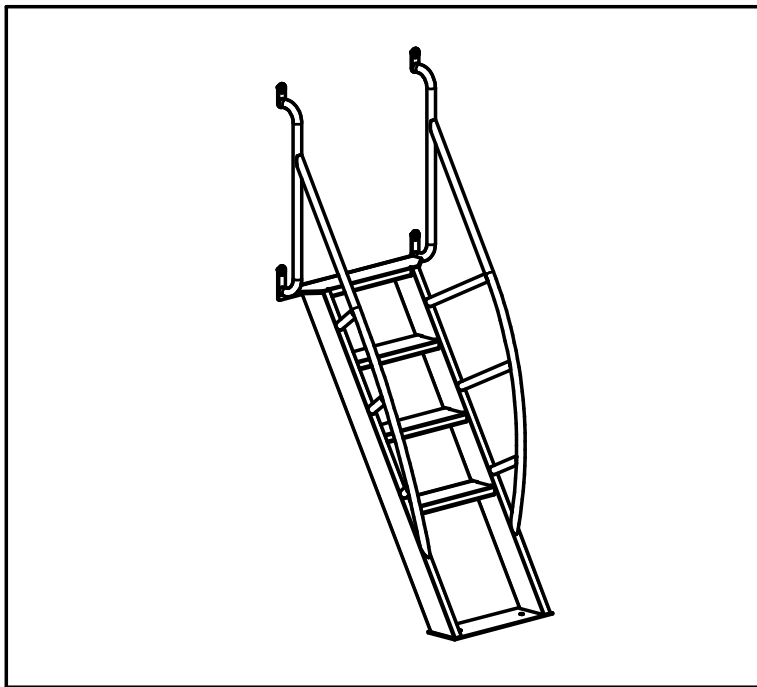
FOR BARK FIX ADD			
ITEM	QTY	PART NUMBER	DESCRIPTION
7	1	5071-003	BELOW GROUND ASSY
8	1	3031-010	SPRAGGING IRON
9	2	2175-134	M12 x 25 LG HEX HD SCREW



Note:- 1. Ensure all installation aids are removed before first use.

2. Lifting Equipment or sufficient manpower should be used throughout installation.

Installation Instructions



Planet Jungle Access Steps

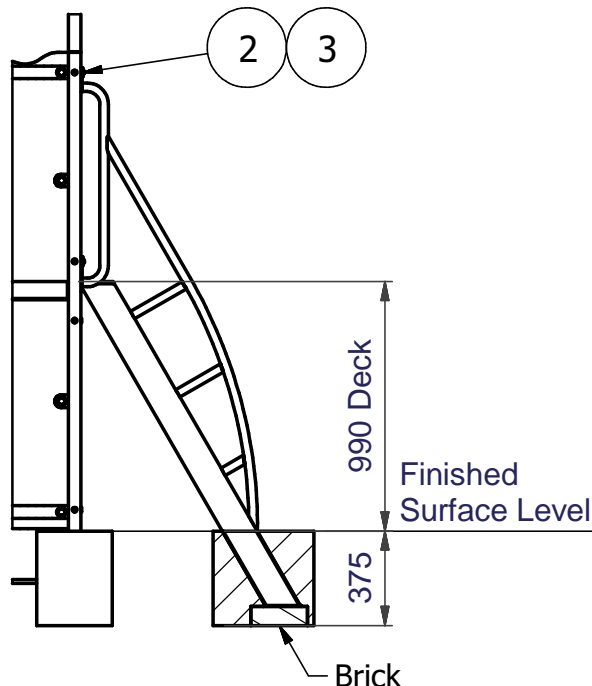
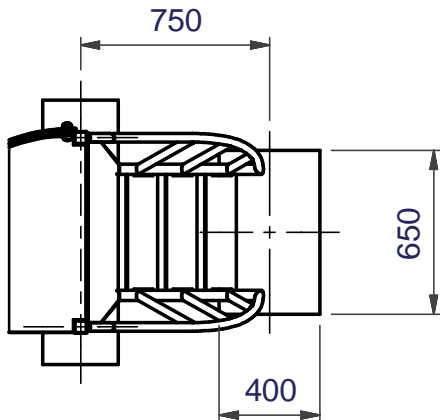
PROD. CODE	90167
SIZE	0.48 x 0.8 x 2.3
AGE RANGE	4 Years to Adult
F/ FALL HEIGHT	990mm
HEAVIEST PART	Approx 48.8 Kg
TOTAL WEIGHT	Approx 50 Kg



Installation Instructions

Care must be taken in abnormal conditions

- 1 Read instruction thoroughly before commencing installation of unit
- 2 Excavate foundations as shown in the plan
- 3 Position steps on bricks in the excavated foundations and secure to tower as shown
- 4 When the unit is fully assembled and all fixings secure, backfill the foundations with 0.09m³ of concrete (4 parts gravel/2 parts sand/1 part cement)
- 5 Allow concrete to set for 48 hours before first use

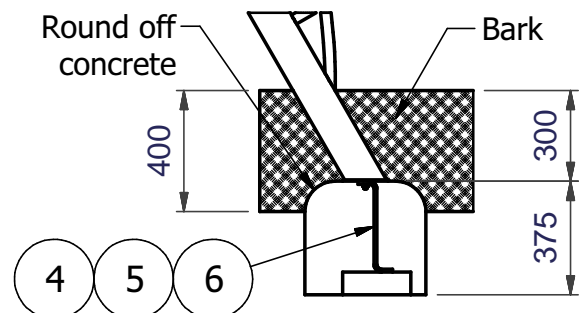


PARTS LIST

ITEM	QTY	PART NUMBER	DESCRIPTION
1	1	90167-01	ACCESS STEPS WELDED ASSY
2	4	2176-126	M10 x 25 Pent Button Head
3	4	2215-519	Wicksteed Washer

FOR BARK FIX ADD

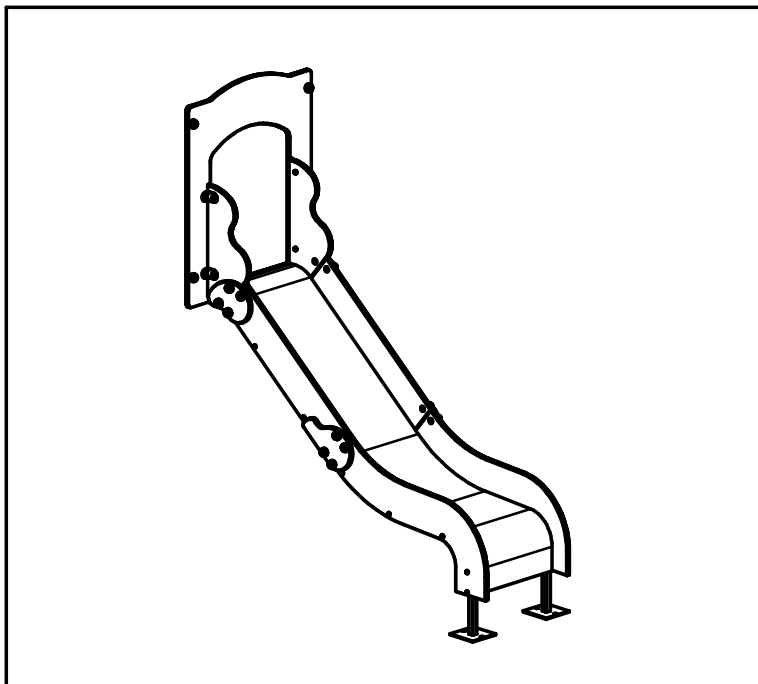
ITEM	QTY	PART NUMBER	DESCRIPTION
4	2	5071-028	Z-SHAPED BGF
5	2	2175-116	M10 x 30 LG HEX HD SCREW
6	2	2193-006	M10 Nut



Note:- 1. Ensure all installation aids are removed before first use.

2. Lifting Equipment or sufficient manpower should be used throughout installation.

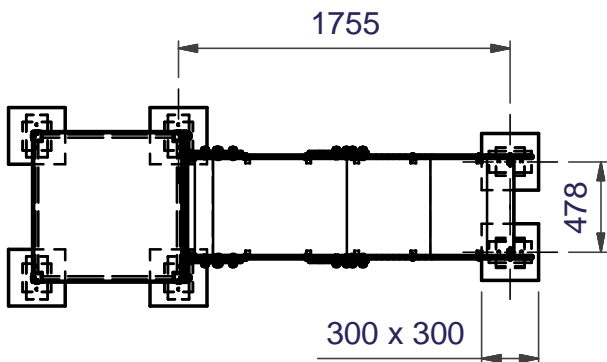
Installation Instructions



Planet Jungle Jungle Slide	
PROD. CODE	90171
SIZE	1850x1800x800
AGE RANGE	3 to 8 Years old
F/ FALL HEIGHT	990mm
HEAVIEST PART	Approx 53 Kg
TOTAL WEIGHT	Approx 57 Kg
	

Note:-

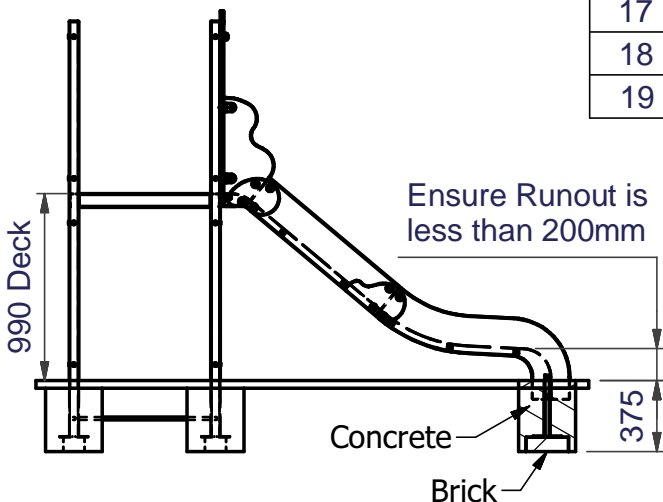
In accordance with 6.1.3 EN1176-1:2008 we recommend that slides do not face south or near due south due to heat build up.



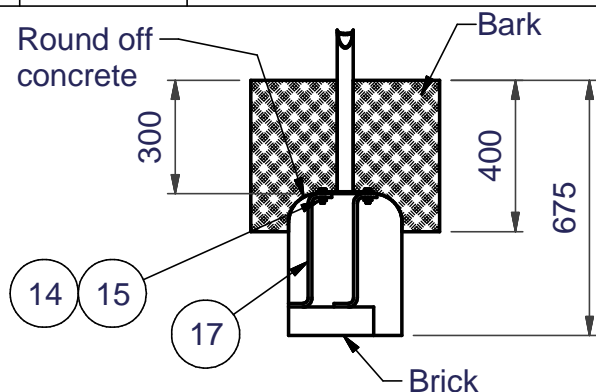
Installation Instructions

Care must be taken in abnormal conditions

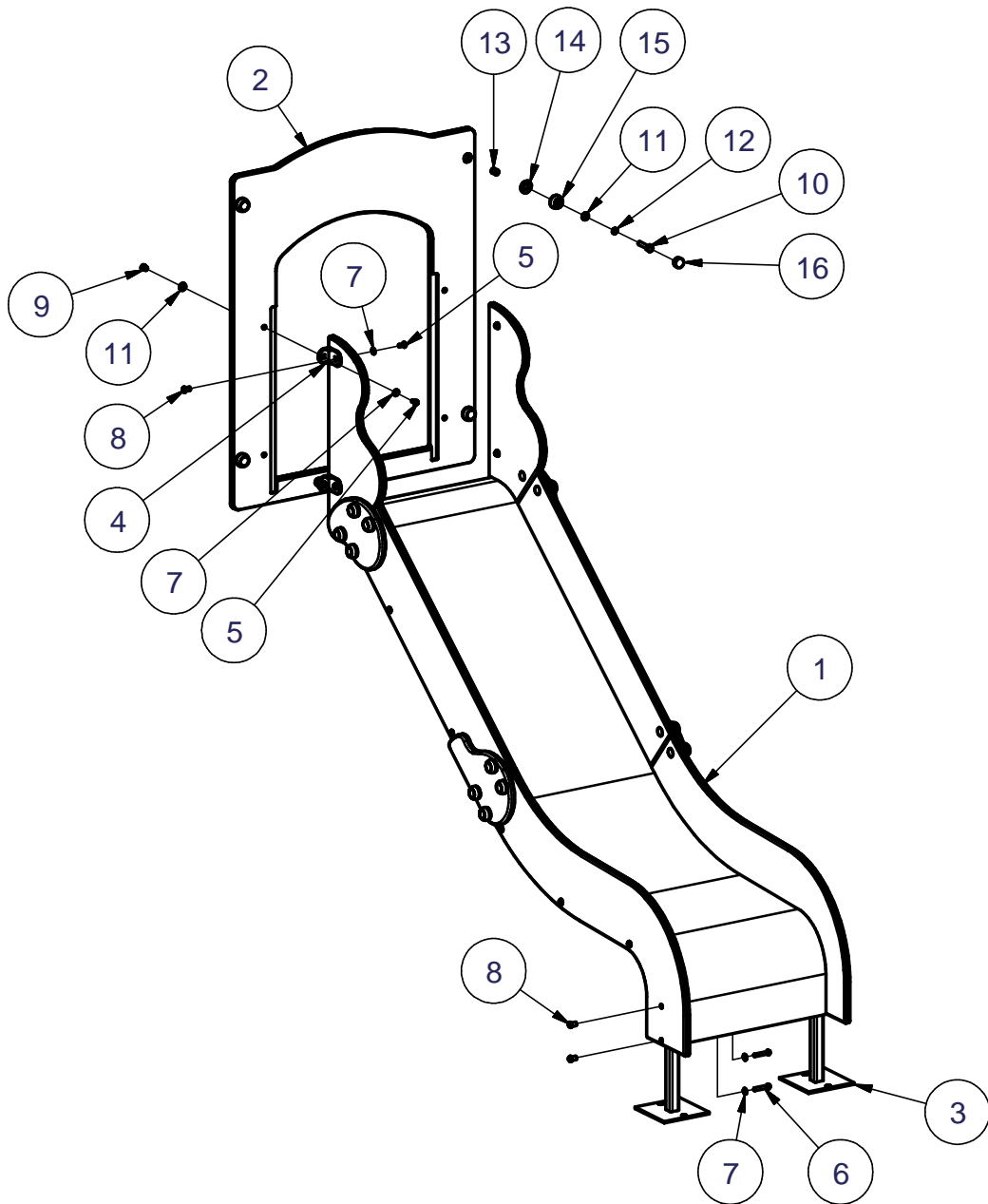
1. Read instructions thoroughly before commencing installation of unit.
2. Excavate foundation holes as shown on the foundation plan.
3. Attach legs to chute and position in place.
4. Attach slide loosely to tower.
5. Check slide is at the correct height & position.
6. Tighten all fixings and concrete foundations
0.06 cubic m concrete (4 parts gravel, 2 parts sand, 1 part cement).
7. Allow concrete to set for a period of 48 hours.
8. Re-tighten all fixings.



FOR BARK FIX ADD			
ITEM	QTY	PART No	DESCRIPTION
17	4	5071-028	Z-SHAPED BGF
18	4	2175-116	M10 x 30 LG HEX HD SCREW
19	4	2193-006	M10 Nut



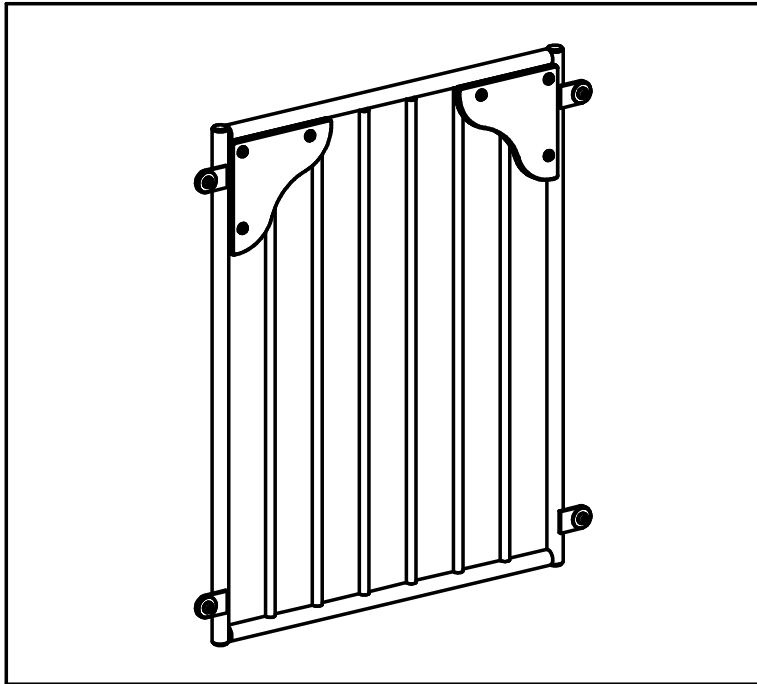
- Note:-**
1. Ensure all installation aids are removed before first use.
 2. Lifting Equipment or sufficient manpower should be used throughout installation.



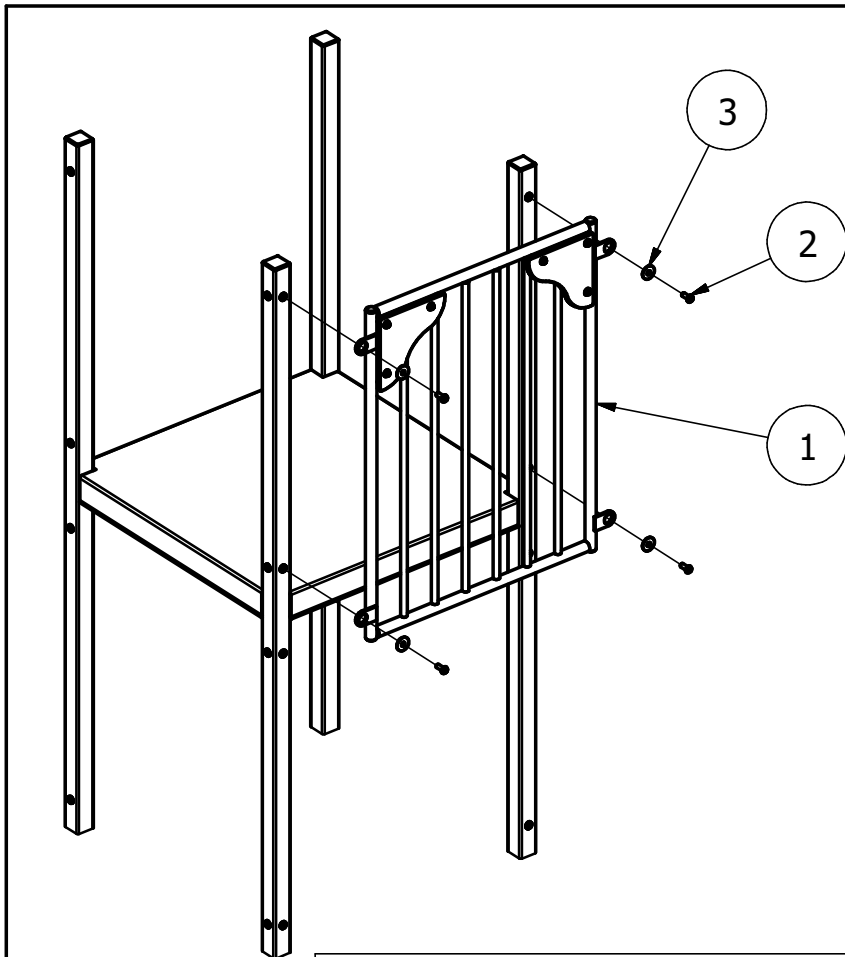
Parts List

ITEM	QTY	PART NUMBER	DESCRIPTION
1	1	5031-428	Jungle Slide Sub Assembly (990mm Deck)
2	1	3756-239	Jungle Slide Start Panel
3	2	4201-211	SLIDE GROUND FIXING
4	4	2900-057	FIXING BRACKET (RED)
5	8	2176-151	M8 x 16 Pent Button Head
6	4	2176-155	M8 x 45 Pent Button Head
7	12	2215-507	M8 Washer
8	8	2177-001	M8 Safety Fastener
9	4	2177-004	M8 Short Safety Fastener
10	4	2175-120	M10 x 50 LG HEX HD SCREW
11	8	2215-508	M10 Washer
12	4	2212-203	M10 Spring Washer
13	4	2472-003	FIXING SPACER
14	4	2900-041	NEOPRENE WASHER
15	4	2611-029_Cup	Yellow Poeppelmann Cup
16	4	2611-029_Cap	Yellow Poeppelmann Cap

Installation Instructions



Planet Jungle	
Jungle Metal Barrier	
PROD. CODE	90172
SIZE	790 x 910 x 45
AGE RANGE	Up to 8 Years
F/ FALL HEIGHT	N/A
HEAVIEST PART	Approx 15.5 Kg
TOTAL WEIGHT	Approx 16 Kg
	



Installation Instructions

Care must be taken in abnormal conditions

- 1 Attach Barrier to tower using all fixings and tighten to secure.

Parts List

ITEM	QTY	PART NUMBER	DESCRIPTION
1	1	5021-206	JUNGLE METAL BARRIER ASSEMBLY
2	4	2176-126	M10 x 25 Pent Button Head
3	4	2215-519	Wicksteed Washer

Note:- 1. Ensure all installation aids are removed before first use.

2. Lifting Equipment or sufficient manpower should be used throughout installation.