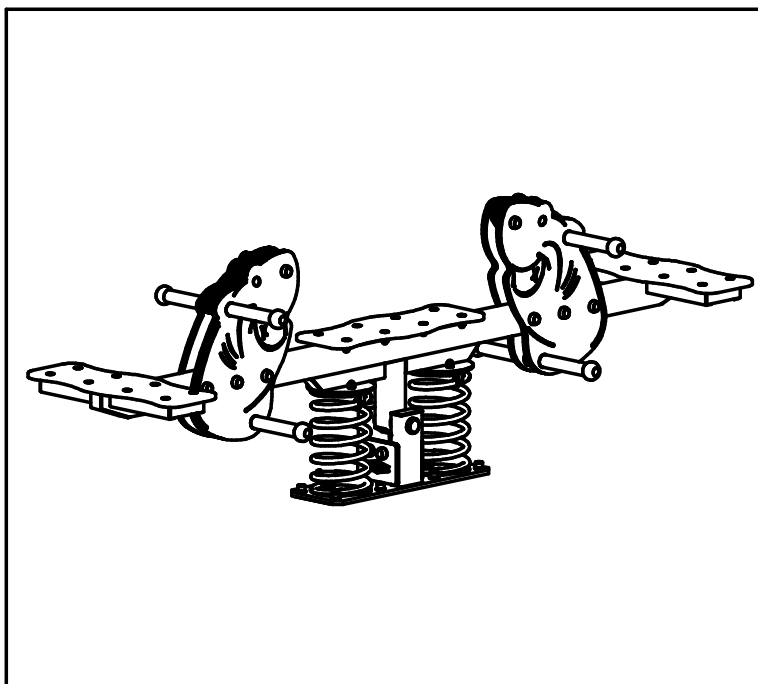


# Installation Instructions

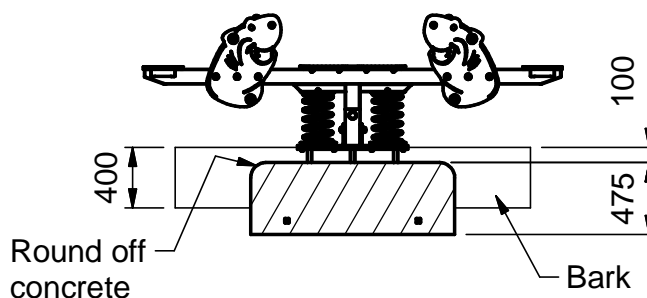
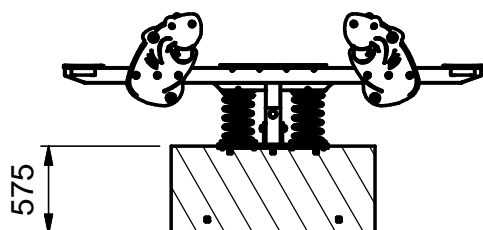
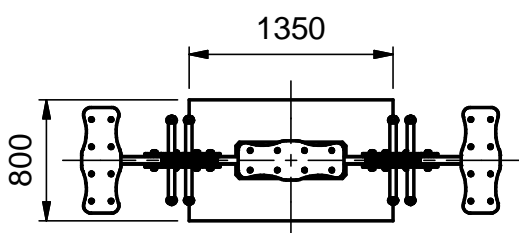


Rockerplay	
4 Saw	
PROD. CODE	6060-113
SIZE	0.7 x 2.8 x 0.875
AGE RANGE	3 to 8 years
F/ FALL HEIGHT	<1m
HEAVIEST PART	Approx 114 kg
TOTAL WEIGHT	Approx 141 kg

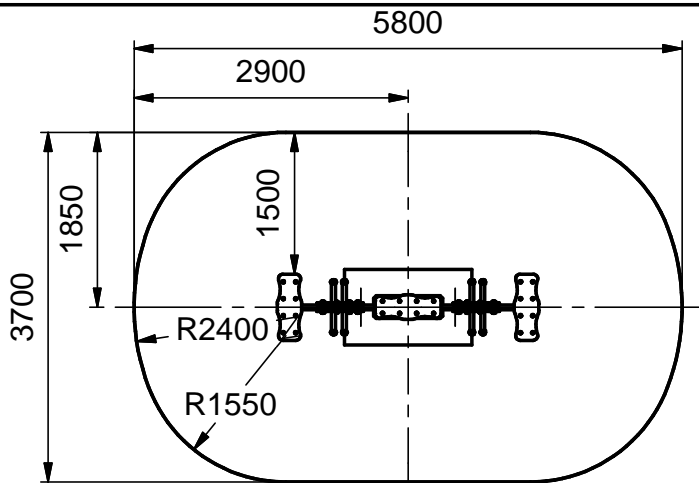
**WICKSTEED**  
- SINCE 1918 -

## Installation instructions

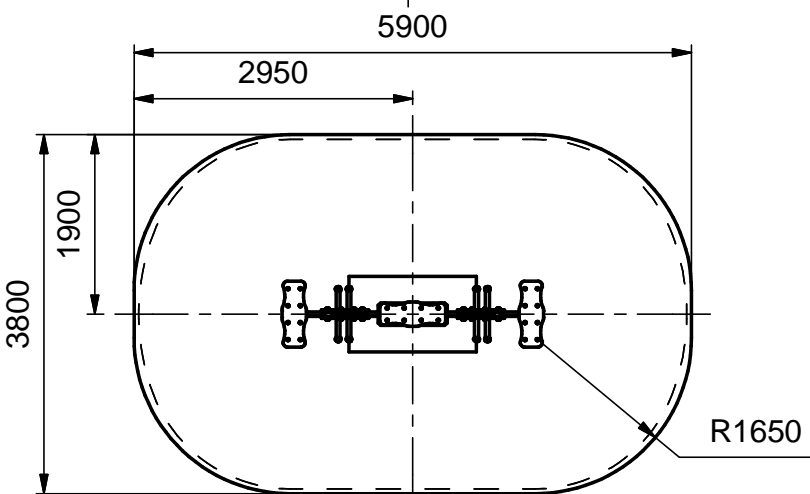
- 1 Read instructions thoroughly before commencing installation of unit
- 2 Excavate the foundations as shown in the foundation plan
- 3 Position the below ground fixing on bricks in the excavated hole, ensuring it is plumb, square and at the correct height and orientation
- 4 Backfill with 0.6m<sup>3</sup> concrete (4 parts grave/2 parts sand/1 part cement)
- 5 Allow 48 hours for the concrete to set
- 6 Attach the rocker assembly to the below ground fixing
- 7 Ensure all fixings are fully tightened



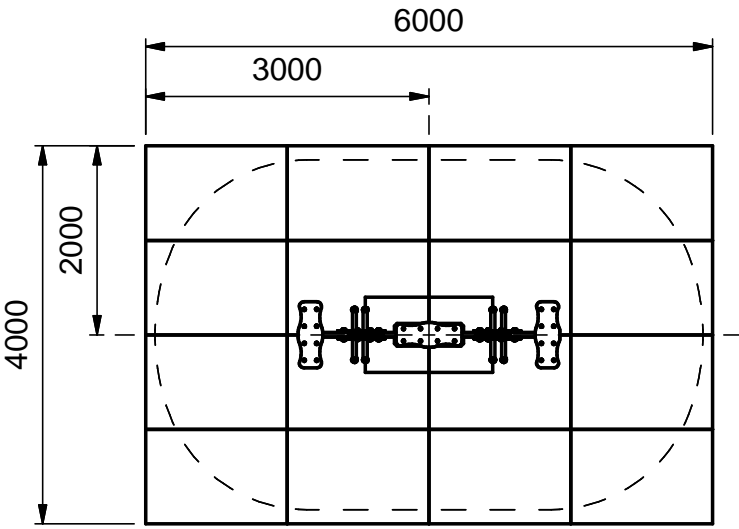
- Note:-
1. Ensure all installation aids are removed before first use.
  2. Lifting Equipment or sufficient manpower should be used throughout installation.



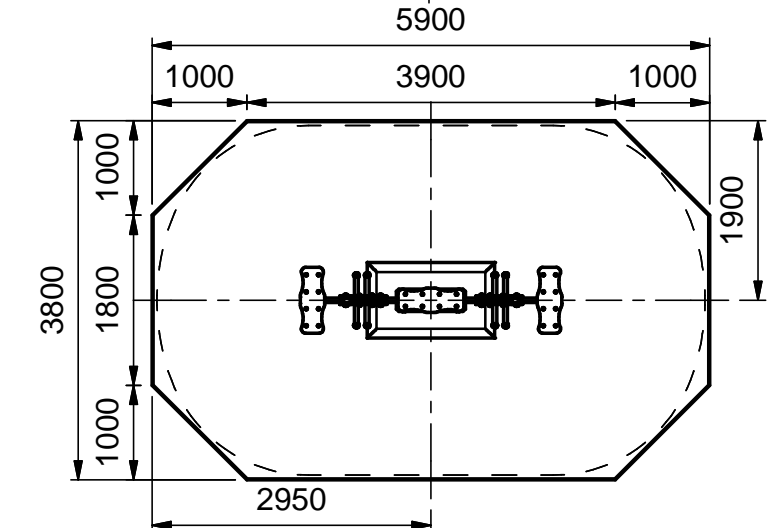
Minimum space



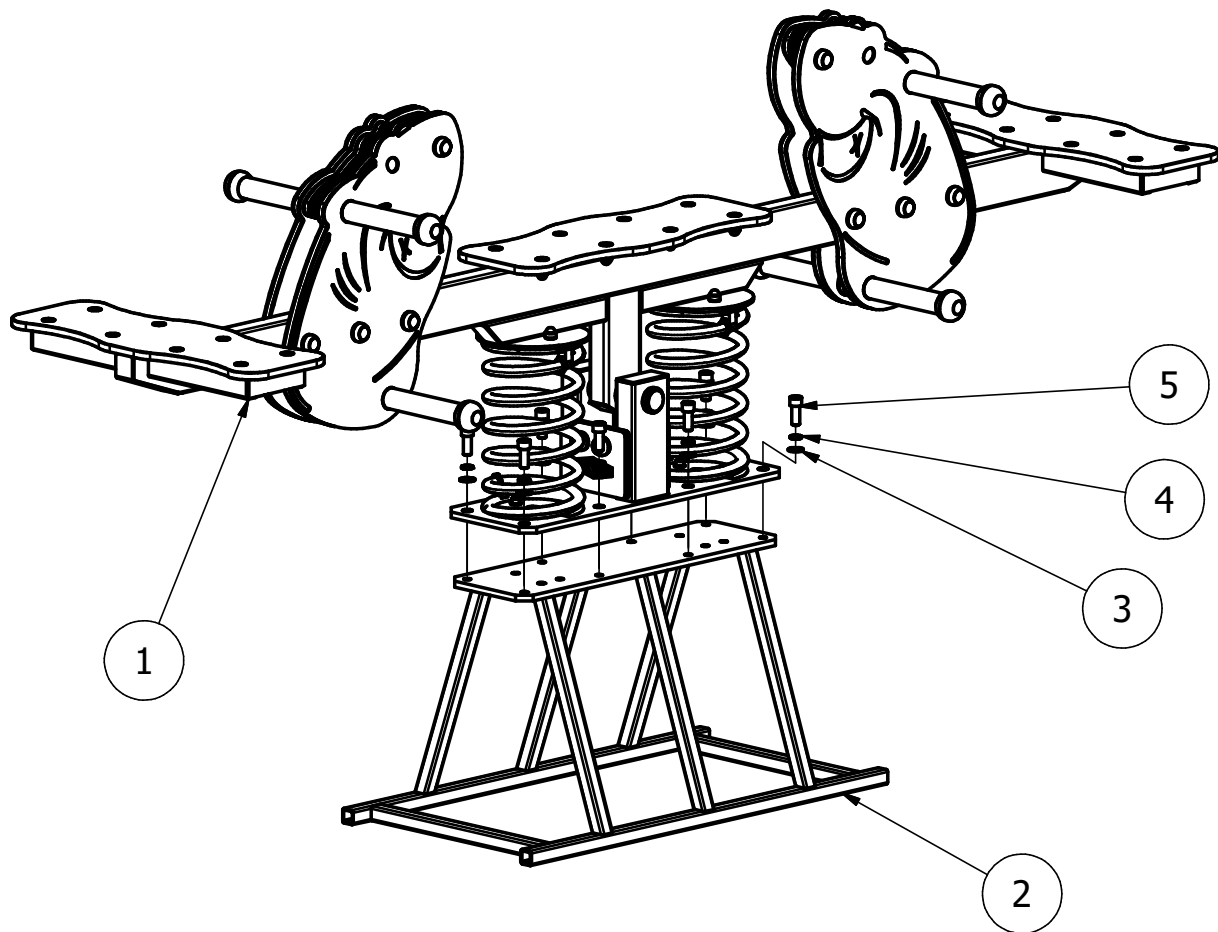
Wetpour  
20.5m<sup>2</sup> of 40mm thick wetpour  
with 17.5m edging



Grassmats  
16 grassmats (1m x 1.5m)



Loosefill  
20.5m<sup>2</sup> of loosefill  
with 17.5m edging



### PARTS LIST

ITEM	QTY	PART NUMBER	DESCRIPTION
1	1	5112-131	4 SAW ROCKER ASSY
2	1	5071-071	4 Saw BGF
3	8	2215-511	M16 Plain Washer
4	8	2212-001	M16 Spring Washer
5	8	2171-078	M16 x 40 SKT HD CAP SCREW c/w Pin