


<h1>Swingplay</h1>	
Pendulum Swing c/w Tyre	
PROD. CODE	6040-116
SIZE	4425x3175x725
AGE RANGE	8-12 Years
F/ FALL HEIGHT	1810mm
HEAVIEST PART	Approx 200Kg
TOTAL WEIGHT	Approx 455Kg
	

SPECIFICATION

Steel plate to EN 10025
 Steel CHS to EN 10219
 Steel RHS to EN 10219
 Welding to EN ISO 14341:2011

Polyester powder paint to EN 13438:2005
 Standard fixings to BS 3692:2001 and
 BS 4190:2001
 Non-standard fixings are anti-vandal and
 corrosion resistant

INSTALLATION INSTRUCTIONS

THIS ITEM IS HEAVY AND WILL REQUIRE LIFTING AIDS

1. Read installation instructions thoroughly before erecting the unit.
2. Do not attempt to assemble incorrect or damaged components. Contact supplier immediately.
3. Mark out and excavate foundations in accordance with foundation detail - see pages 3 to 5.
4. Make reinforcement concrete mesh (Base and 4 sides) and place in foundation hole as detailed on pages 4 and 5.
5. Lay Support Frame (Item 1) on ground and attach Beam (Item 2) using fixings - see page 6.
6. Lift the assembled frame and beam into the foundation hole.
7. Attach the top reinforcement mesh to the assembled mesh in the foundation.

continued

Note

Note

Ensure all installation aids are removed before first use.

THIS ITEM IS HEAVY AND WILL REQUIRE LIFTING AIDS

8. Check pendulum swing support frame and beam is plumb and square and that height from ground level to underside of the pendulum swing beam bottom mount plate is 2912mm. Also ensure that pendulum swing support frame is correctly sited in the foundations.
9. Fix support strut (Item 22) to pendulum swing beam bottom mount pad with M16 x 40 Skt Cap Head Screw and M16 Nord Lock Washer (see page 6).
10. Make further check that pendulum swing beam is plumb and square at top and bottom and that height from ground level to underside of top of pendulum swing beam mount pad is 2912mm. Make any final adjustments if required and check tightness of all fixings.
11. Backfill foundations with concrete as detailed on pages 4 and 5.
12. Once foundations have set (at least 48hrs) detach and remove support strut (retain bolts). Attach universal joint and bearing assembly to bottom mount pad with M16 x 40 Skt Cap Head Screw and M16 Nord Lock Washer (see page 6).
13. Do not attach swing assembly until foundations have set and surfacing laid, as premature use may cause displacement of beam assembly and subsequent weakening of the foundations. Attach tyre swing seat with four chain assemblies to the universal joint using shackle and pin, lock in place with Dia 2 x 18mm sellok pin.
14. Check tightness of all bolts. Peen over bolts for Support Frame to Beam assembly (see page 6).

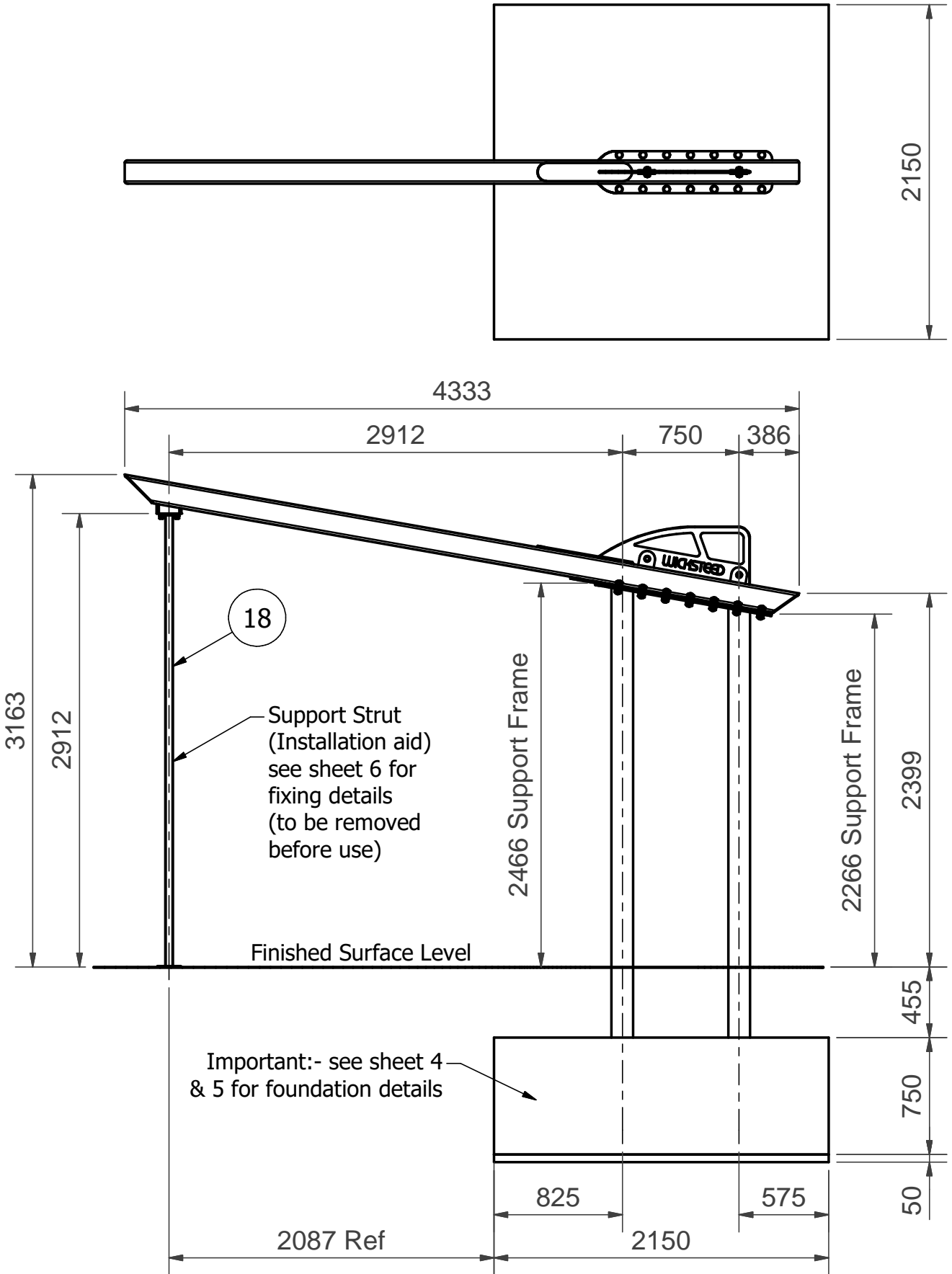
Maintenance Note:

Wicksteed Leisure Ltd. recommend that the universal joint/bearing assembly should be checked regularly by lifting the seat to take the weight and rotating the bearing housing, noting any rough movement vertically and horizontally, if any inconsistencies are found the assembly should be replaced immediately.

The universal joint/bearing assembly should be replaced every 5 years.

Foundation Detail

(Care must be taken in abnormal conditions)



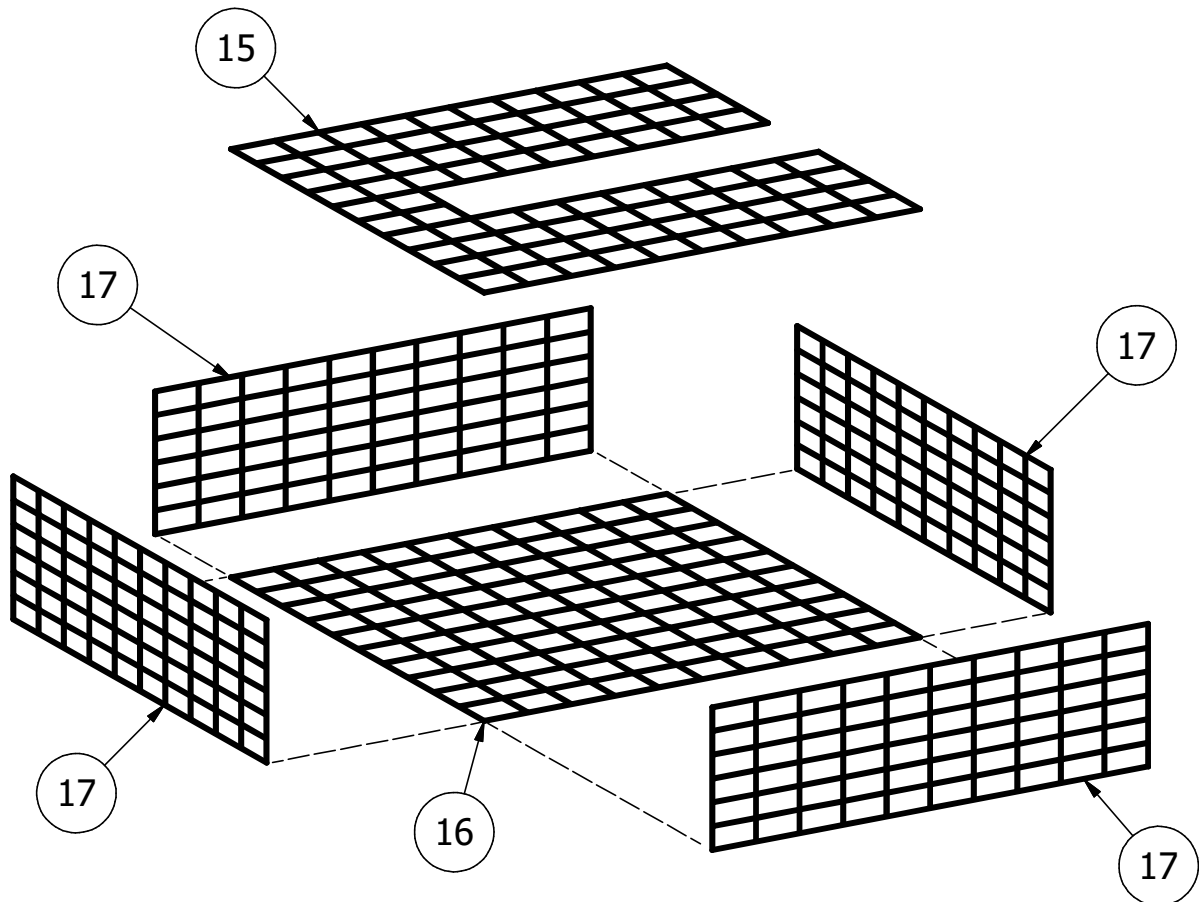
Foundation Detail

(Care must be taken in abnormal conditions)

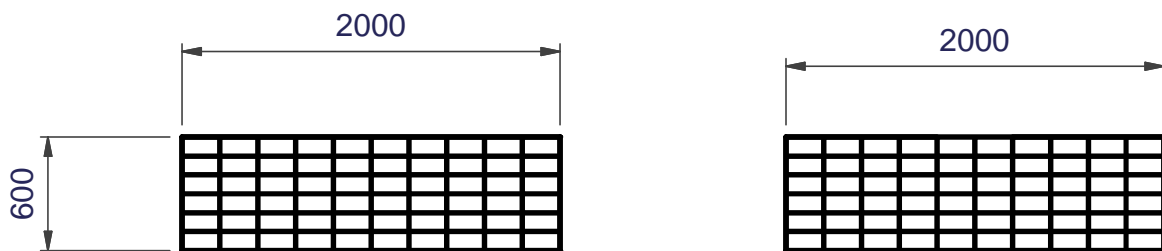
1. The contractor is to ensure the new foundation bears a minimum of 200mm into firm undisturbed soil. If extra depth required to reach this criteria the extra dig is to be filled with C25 mass concrete.
2. Minimum concrete mix specification (to be confirmed for job specific depending on ground conditions) to be RC35 (28/35 strength class) with a minimum cement content of 280Kg/m³ and a maximum water/cement ratio of 0.6. Maximum aggregate size to be 20mm.
3. Concrete to be well vibrated to ensure a solid mass free from voids.
4. Reinforcement to have minimum 75mm cover to all faces.

Reinforcement Concrete Mesh Details

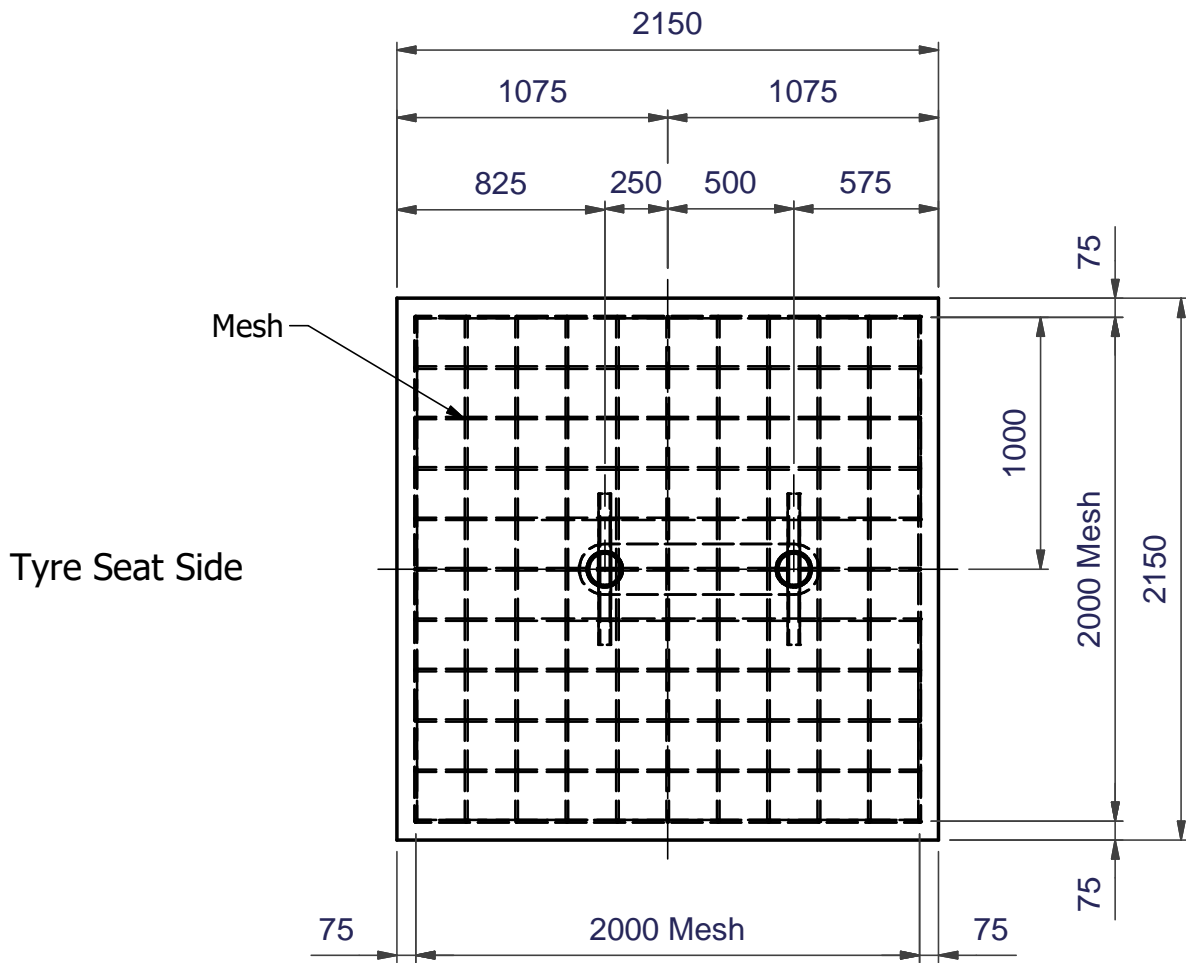
Use galvanised wire to fix mesh



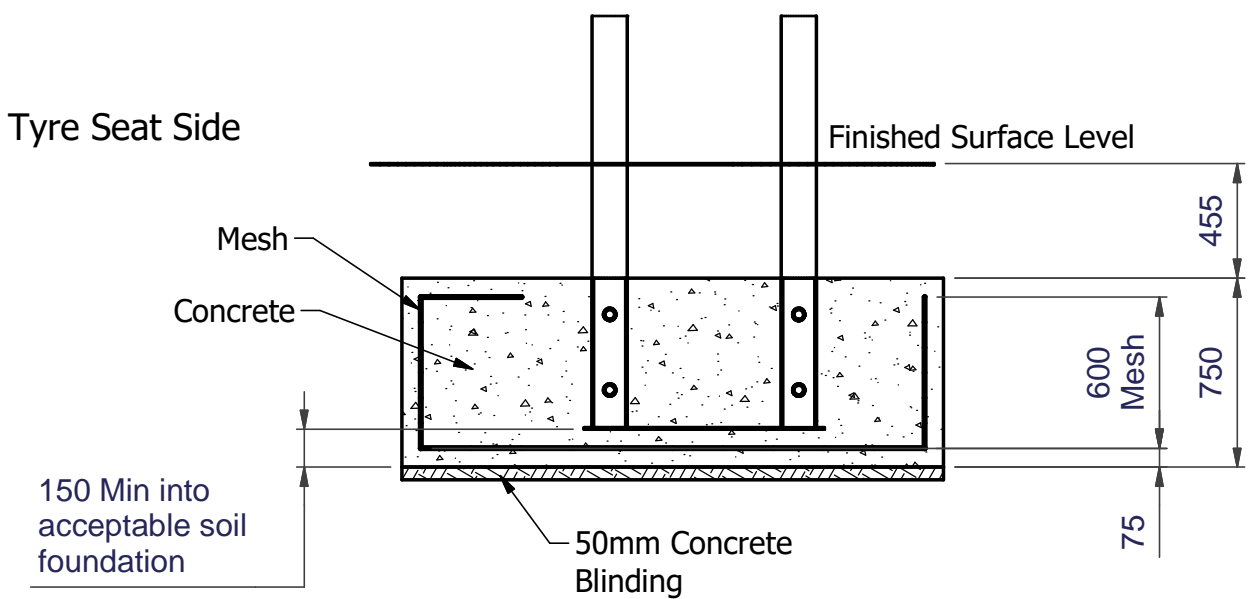
Assembled Size



Foundation Detail
 (Care must be taken in abnormal conditions)

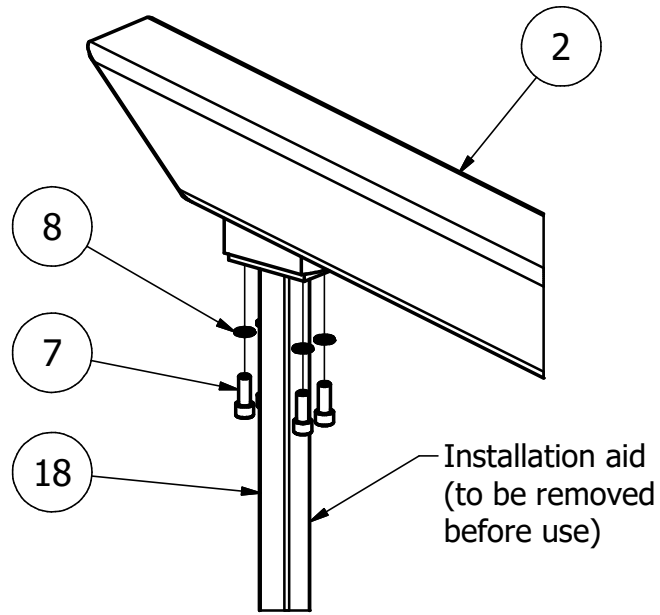


Note:- Reinforcement to have a minimum of 75mm cover to all faces



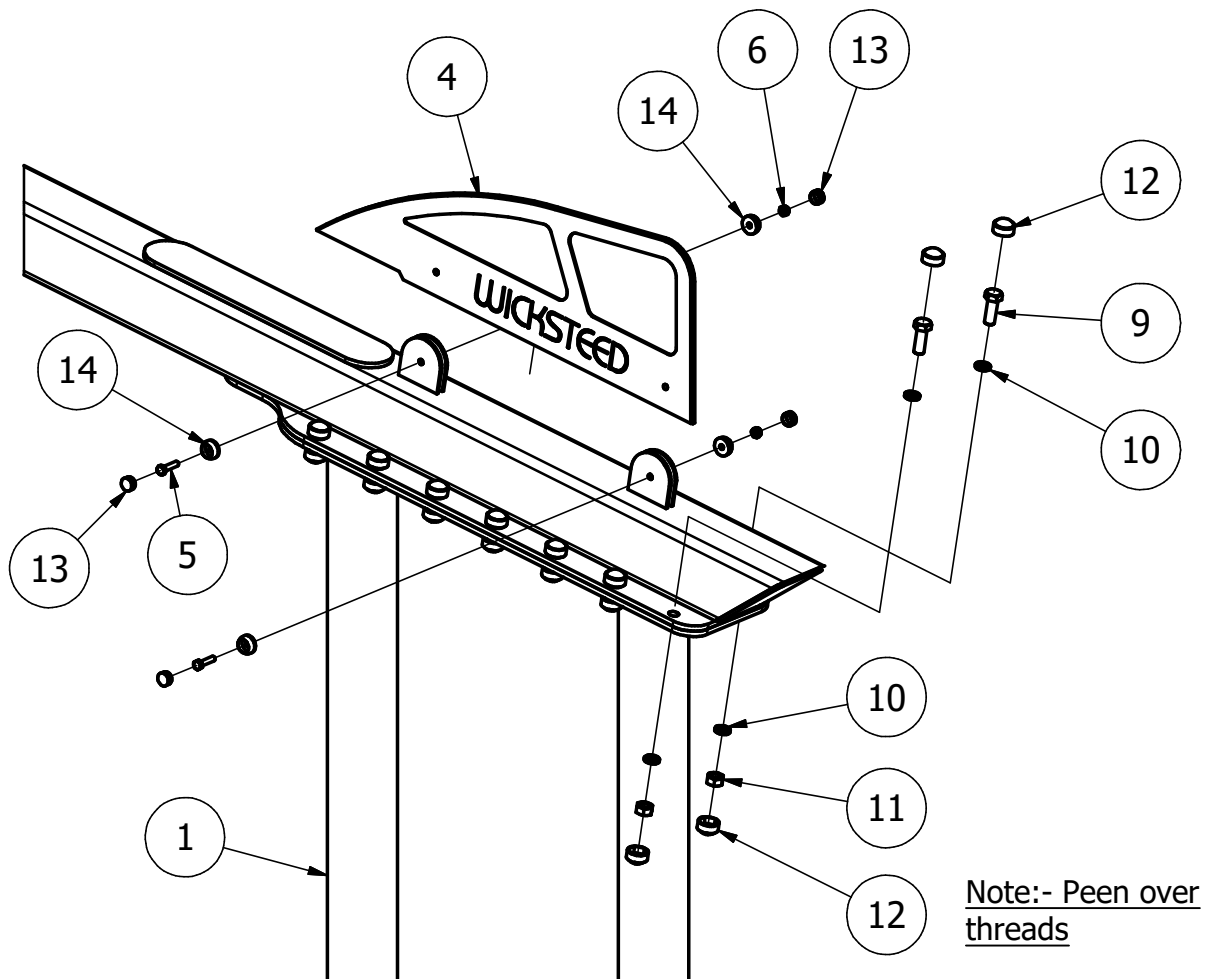
Fixing Details for Maintenance

Installation Aid to Beam



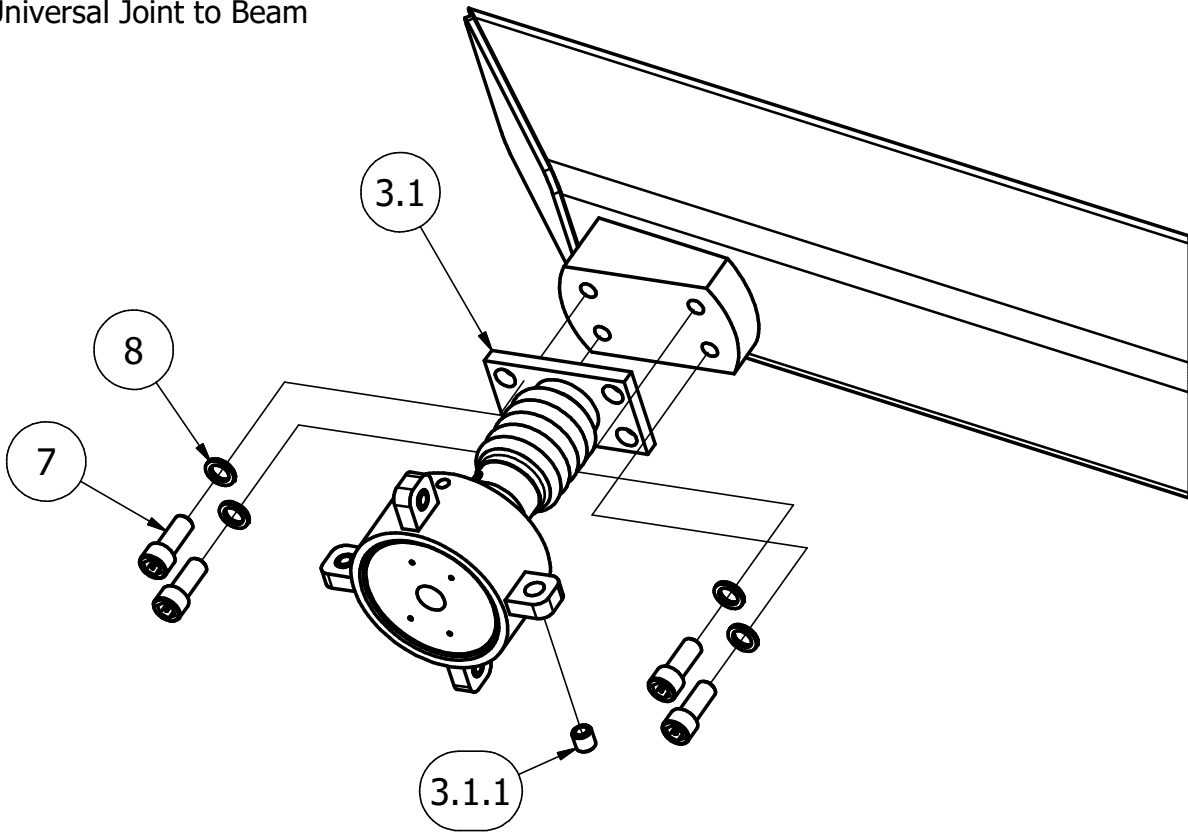
Fixing Details for Maintenance

Support Frame to Beam



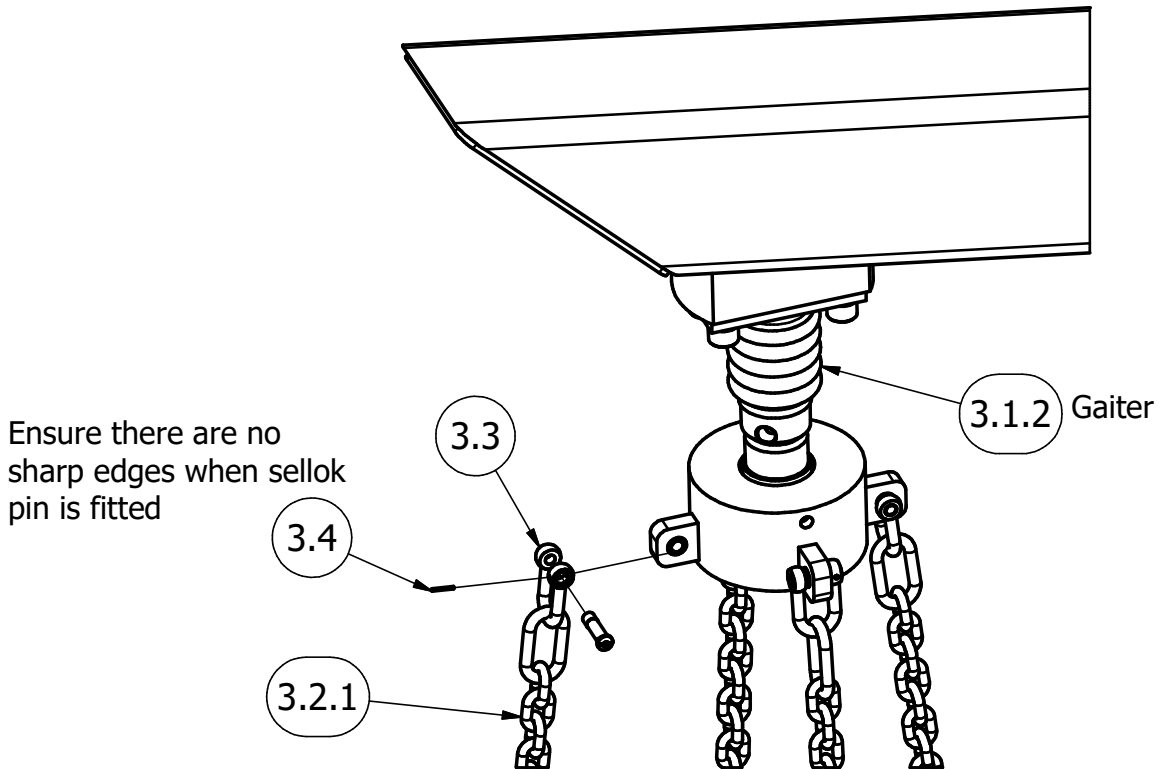
Fixing Details for Maintenance

Universal Joint to Beam



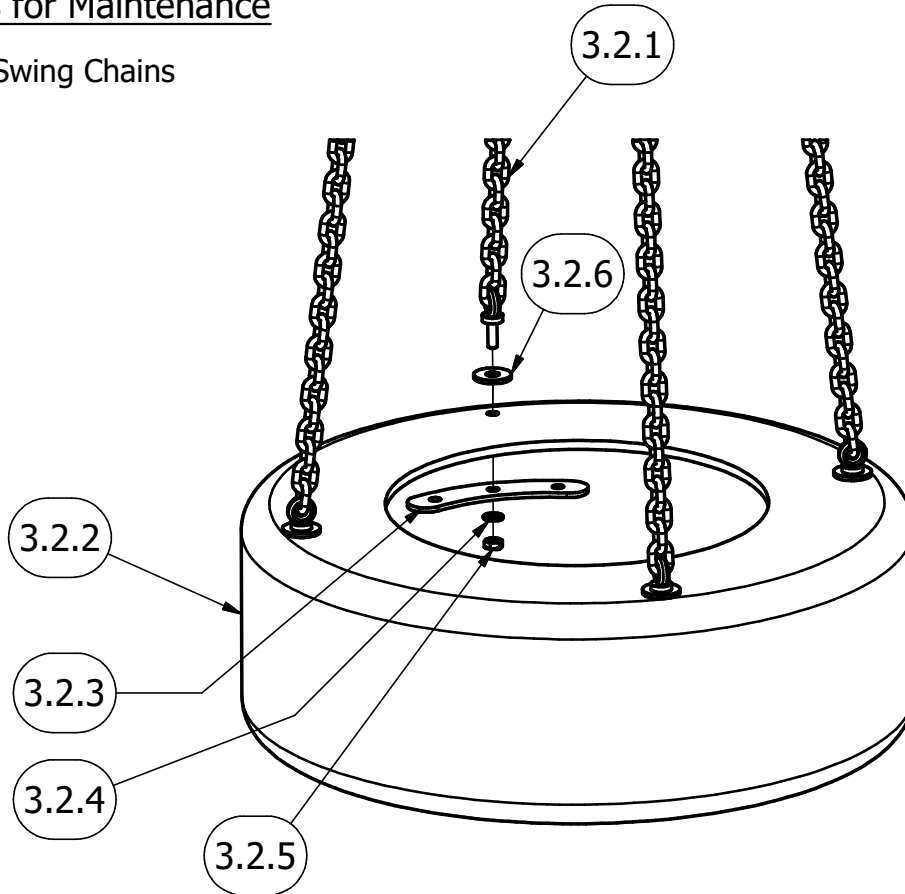
Fixing Details for Maintenance

Attachment of Swing Chains

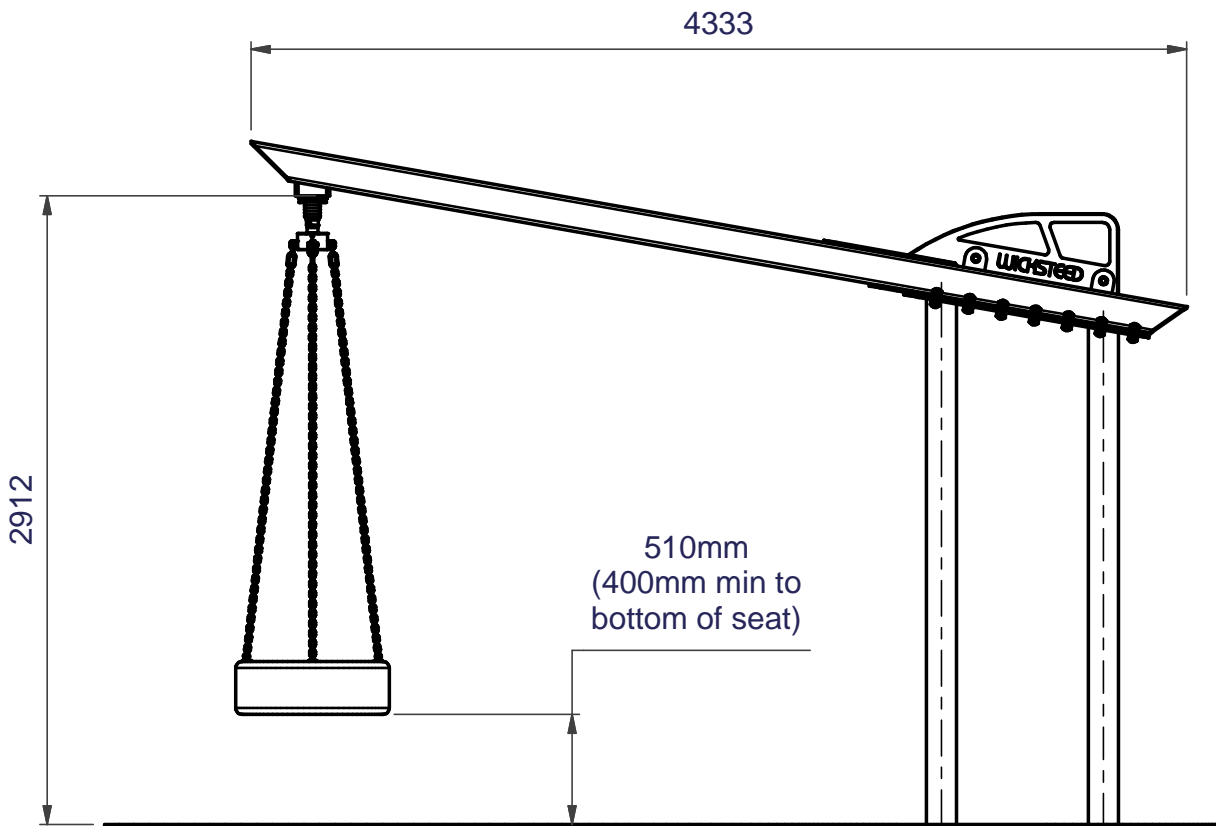


Fixing Details for Maintenance

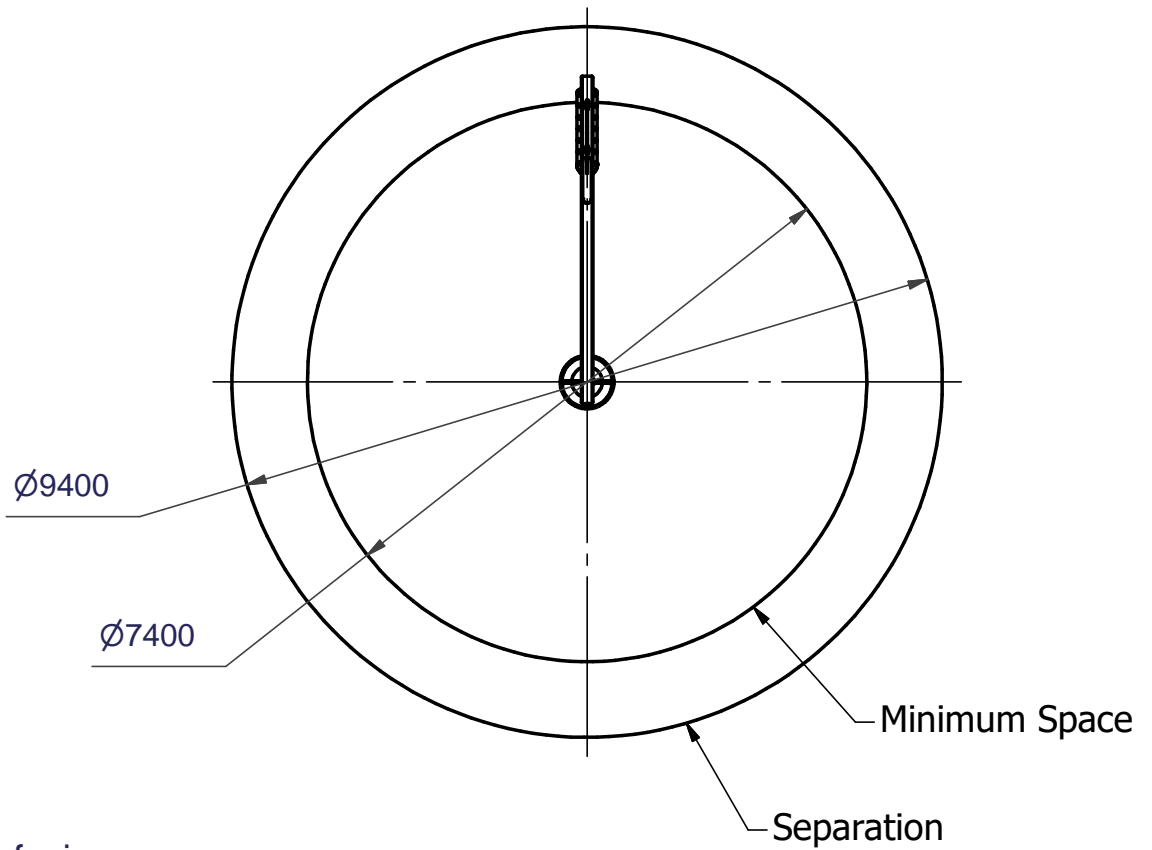
Attachment of Swing Chains



Seat Height



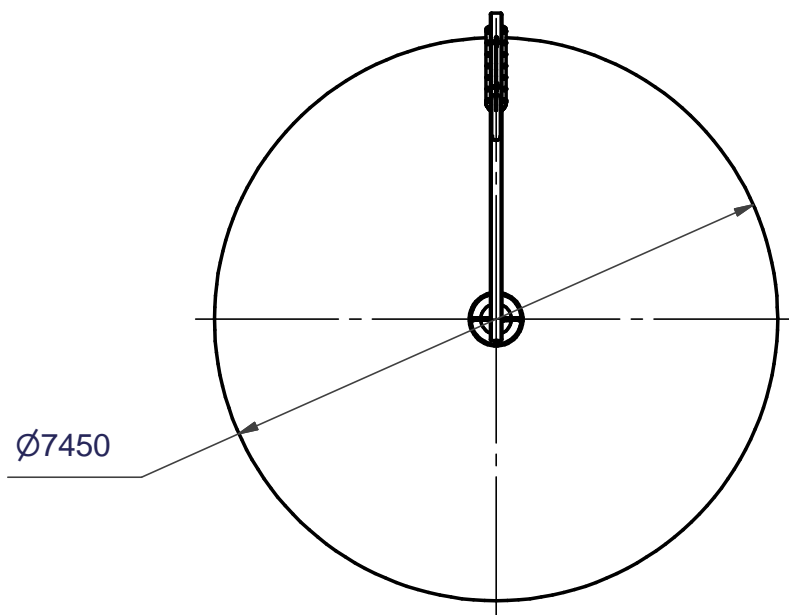
Minimum Space and Separation



Safety Surfacing

Wetpour

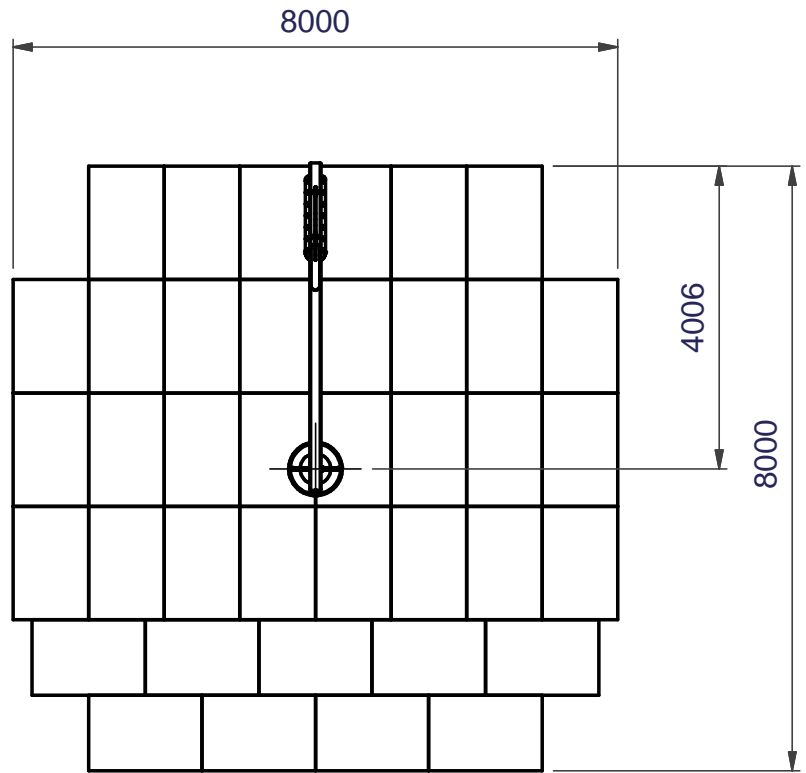
44.0 Sq. Metres 80mm Wetpour Wear
23.5 Linear Metres Wetpour Edging



Safety Surfacing

Grass Mats
(1500 x 1000mm)

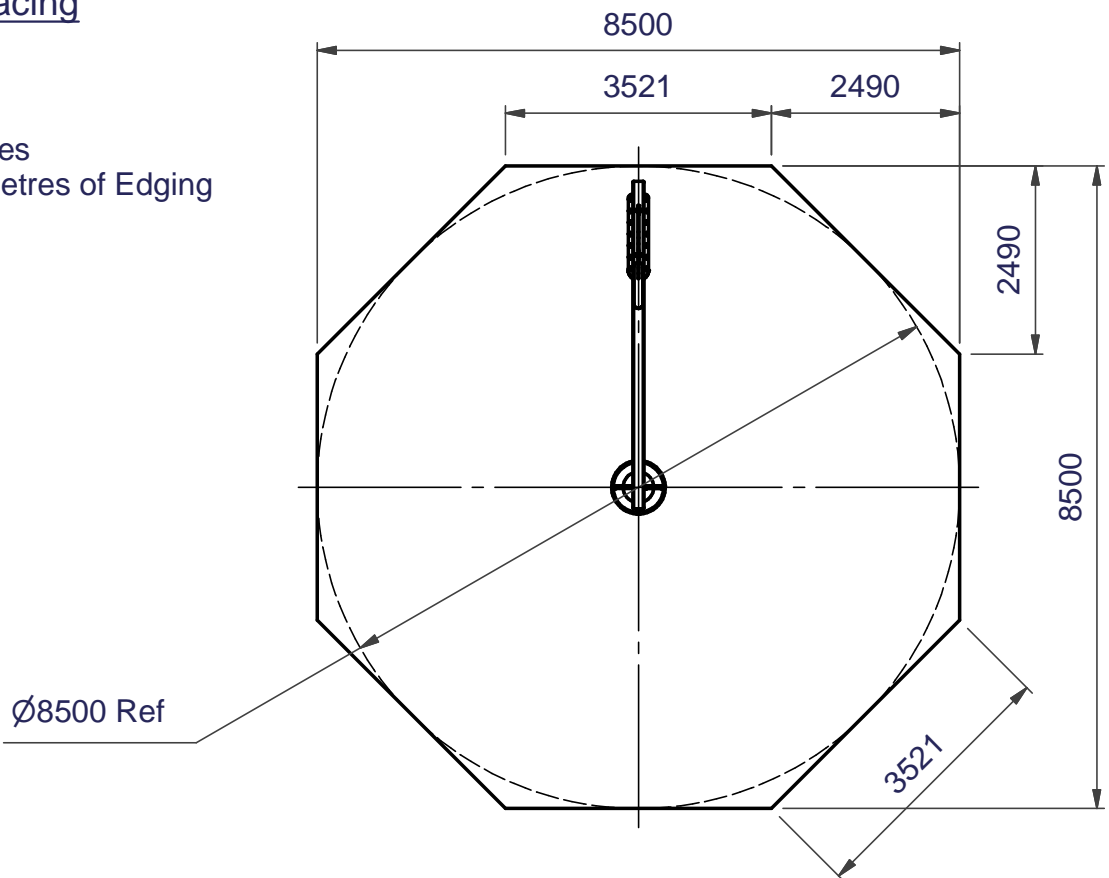
39 off Total



Safety Surfacing

Loose Fill

59.5 Sq. Metres
28.0 Linear Metres of Edging



Parts List			
ITEM	QTY	PART NUMBER	DESCRIPTION
1	1	5083-034	Support Frame W.A.
2	1	5083-035	Beam W.A.
3	1	5901-081	Tyre Seat Assembly c/w 4 chains
3.1	1	4201-199	Bearing Assembly
3.1.1	4	2511-045	OILITE BUSH CT5
3.1.2	1	2900-077	Gaiter
3.2	1	4201-278	Tyre Seat Assembly c/w 4 Chains
3.2.1	4	4061-090	Chain Assembly
3.2.2	1	3741-014	Tyre Seat
3.2.3	4	3294-095	Tyre Seat Reinforcement Plate
3.2.4	4	2215-508	M10 Washer
3.2.5	4	2191-010	M10 Binx Nut
3.2.6	4	2215-516	M12 LARGE PLAIN WASHER
3.3	4	3621-002	BELT SHACKLE
3.4	4	2223-027	DIA 2 x 18mm LG SELLOK PIN
4	1	3756-179	Crane Panel
5	2	2175-119	M10 x 45 LG HEX HD SCREW
6	2	2192-006	M10 Nyloc Nut
7	4	2171-078	M16 x 40 SKT HD CAP SCREW c/w Pin
8	4	2212-211	M16 Nord Lock Washer
9	14	2175-181	M20 x 55 HT HEX HD SCREW
10	28	2212-206	20mm SPRING WASHER
11	14	2193-011	M20 Nut
12	28	2613-021	M20 Nut Cap
13	4	2611-030_Cap	Red Poeppelmann Cap
14	4	2611-030_Cup	Red Poeppelmann Cup
15	1	5071-058	Top Reinforcement Mesh
16	1	5071-059	Base Reinforcement Mesh
17	4	5071-060	Side Reinforcement Mesh
18	1	4202-763	Installation Support Strut (2912mm Long)

COMPILED MC	REV	0	1						
	ECN	1763	Minor						
DATE: 11/05/17	SIG.	MC	MC						
	DATE:	11/05/17	22/11/18						