

TRAIL

WALK & STRETCH POSTS

| | |
|------------|---------------------|
| PROD. CODE | WST08 |
| SIZE | L:2.25 W:0.43 H:1.0 |
| FFH | < 600 |
| AGE RANGE | 3 - 8 YEARS OLD |

TECHNICAL DATA

| | |
|------------------------|----------------|
| MINIMUM SPACE REQUIRED | 5.5M X 3.5M |
| SUPERVISED PLAY | RECOMMENDED |
| EQUIPMENT TYPE | LOW LEVEL |
| LARGEST PART | 1.5M X 0.1 DIA |
| HEAVIEST PART | 7 KG |

INSTALLATION DETAILS

1. READ INSTALLATION INSTRUCTIONS THOROUGHLY BEFORE COMMENCING INSTALLATION OF UNIT
2. EXCAVATE FOUNDATIONS USING THE DETAIL AS SHOWN ON PAGE 3 OF THIS DOCUMENT
3. ENSURE TO CHECK AND TIGHTEN ALL FIXINGS USING PROTECTIVE CAPS WHERE NECESSARY
4. BACKFILL FOUNDATIONS WITH 0.045 CUBIC M CONCRETE ALLOWING TO SET FOR 48 HOURS
5. REMOVE ALL ASSEMBLY AIDS BEFORE THE EQUIPMENT IS USED

THIS PRODUCT CONFORMS WITH BS EN1176- 1 :2008

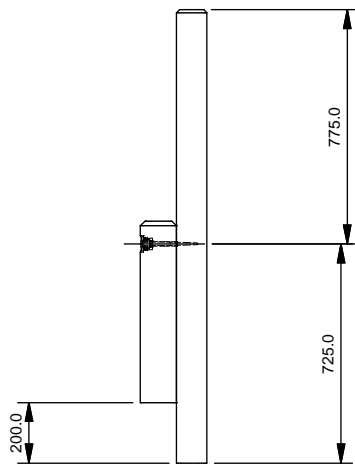


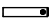

Woodcot Court, 2A Woodcot Gardens, Farnborough, Hampshire GU14 9RD Tel: 01252 515199 Fax: 01252 515858
<http://www.fawns.co.uk> mail:fawns@fawns.co.uk

No part of this document may be copied or used without the express written permission of FAWNS RECREATIONAL SERVICES LTD (c) FRS 2013

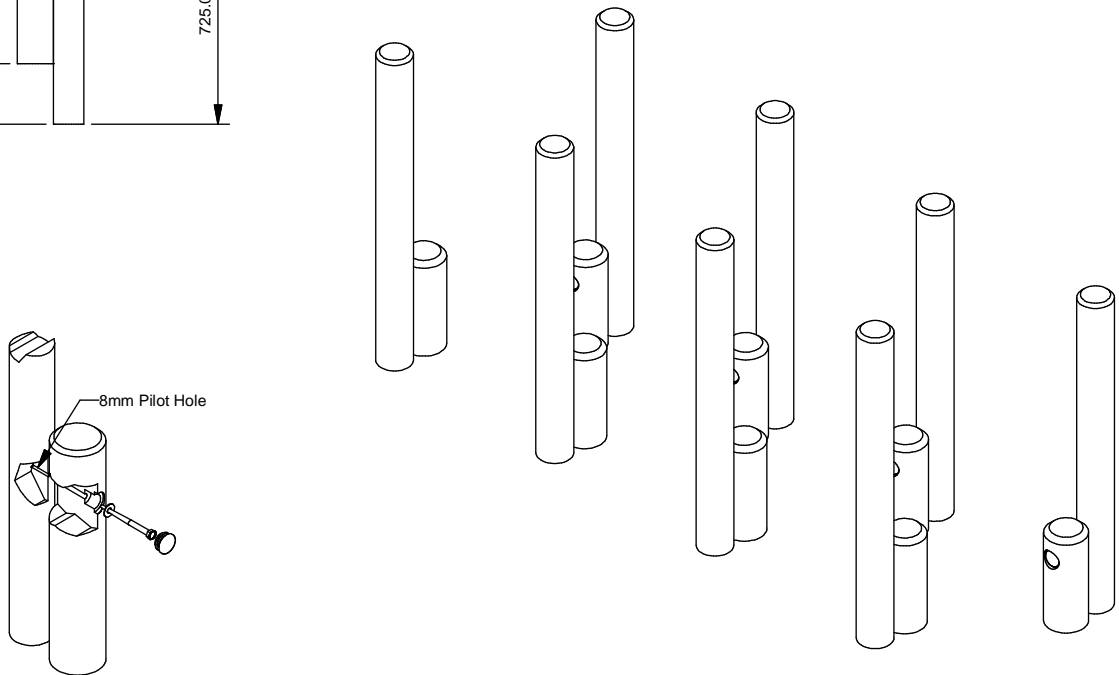
Version: A
 Date: 09/02/2009 PAGE 1 OF 1

Detail View 1
Post Assembly



| Parts List | | | | |
|------------|-----|-------------|--------------------------|---|
| ITEM | QTY | PART No | DESCRIPTION | IMAGE |
| 1 | 8 | FRLT0612_BI | 600mm x 120/125 dia |  |
| 2 | 8 | FRLT1510_CN | 1500MM X 100 DIA |  |
| 3 | 8 | M12X150CS | M12 X 150 COACH SCREW |  |
| 4 | 8 | M12WASH | 1/2" X 1 1/4" 12G WASHER |  |
| 5 | 8 | PLC480DCAP | POLY CAP 48 |  |

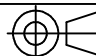
Detail View 2
Cut away section



Installation Procedure

1. Excavate the foundation holes as shown on sheet 2. When installing into loose surfaces such as sand, install the unit 100mm lower into the ground to allow for surfacing loss over time.
2. Connect Posts A & B as shown in detail views, Ensure a 8mm pilot is drilled before joining posts.
3. Position each Post assembly into its foundation hole, check the posts for position and plumb. Add concrete around posts. The top of the concrete should be 100mm below the finished surface level, see drawing sheet 2. Each log assembly will be heavy and care should be taken when lifting into position.
4. Leave the concrete to set for 48 Hours.
5. Sand any rough edges or Surfaces and treat with preservative if necessary.
6. Check and tighten all fixings and ensure protective caps are fitted
7. Carry out post installation inspection as per enclosed schedule sheet "PIN1"
8. This unit must be maintained in accordance with our inspection and maintenance schedule and BS1176 part 7.



| | | | | | | | | | |
|--------------------------------|--|-------------|----------|--|--|--|--|--|--|
| Drawing Number: WST08-IN-AY | Code: WST08 | Issue: | B | | | | | | |
| Drawn By: AK | Date: 09/02/09 | Issue Date: | 28/05/13 | | | | | | |
| Sheet: 1 OF 2 | 3rd Angle Projection  | Sign: | AK | | | | | | |

