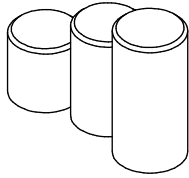


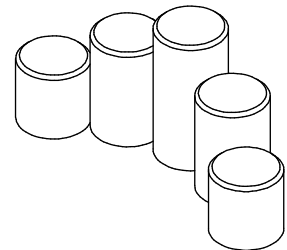
Standard configuration shown. This can be altered to suit site conditions
Any gaps between logs must be less than 8mm

SLWM



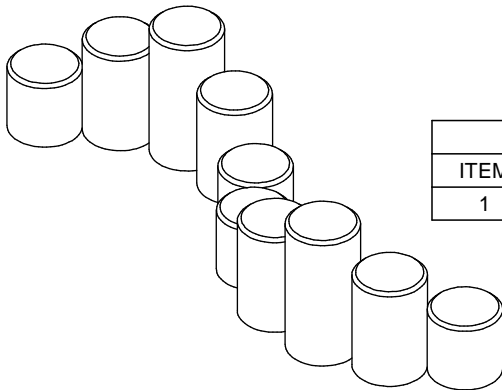
Parts List			
ITEM	QTY	PART NUMBER	DESCRIPTION
1	1	FRTB00657	MINI LOG WALK TIMBER DRAWING

SLWH



Parts List			
ITEM	QTY	PART NUMBER	DESCRIPTION
1	1	FRTB00655	HALF LOG WALK TIMBER DRAWING

SLWF



Parts List			
ITEM	QTY	PART NUMBER	DESCRIPTION
1	1	FRTB00656	LOG WALK TIMBER DRAWING

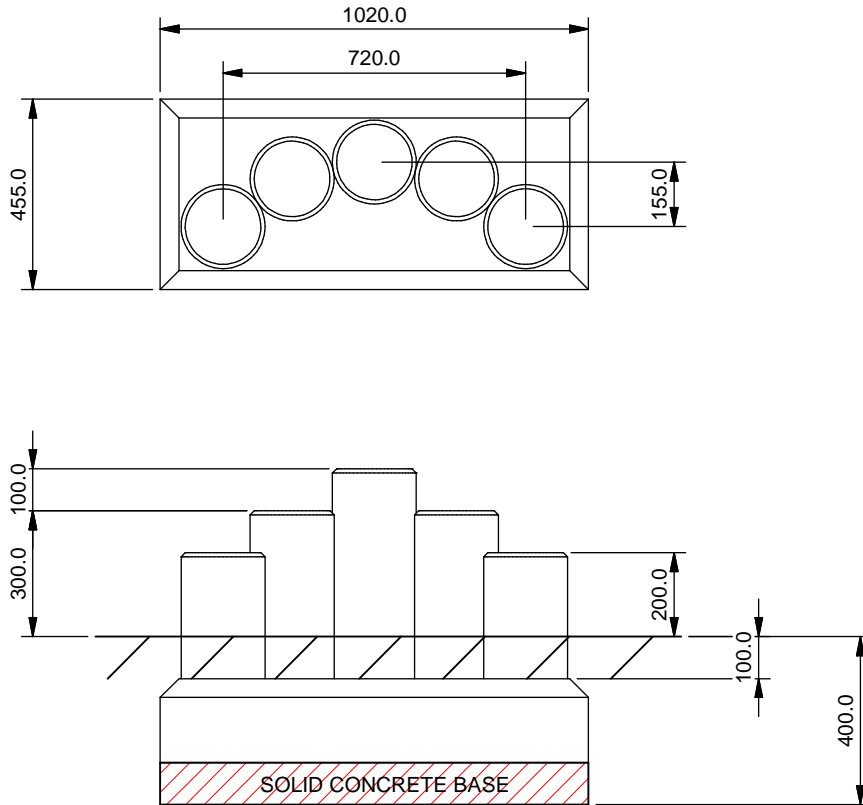
Installation Procedure.

1. Position the logs on the ground in the desired position and mark a line for the foundation trench outside the logs (sheet 2 shows the standard configurations)
2. Excavate the foundation trench as shown on sheet 2. When installing into loose surfaces such as sand, install the unit 100mm lower into the ground to allow for surfacing loss over time.
3. Position the logs into the foundation hole/trench, check the posts are plumb and ideally with no gaps between (Any gaps must be less than 8mm). Add concrete around posts. The top of the concrete should be 100mm below the finished surface level, see drawing sheet 2.
4. Leave the concrete to set for 48 Hours.
5. Sand any rough edges or Surfaces and treat with preservative if necessary.
6. This unit must be maintained in accordance with our inspection and maintenance schedule and BS1176 part 7.



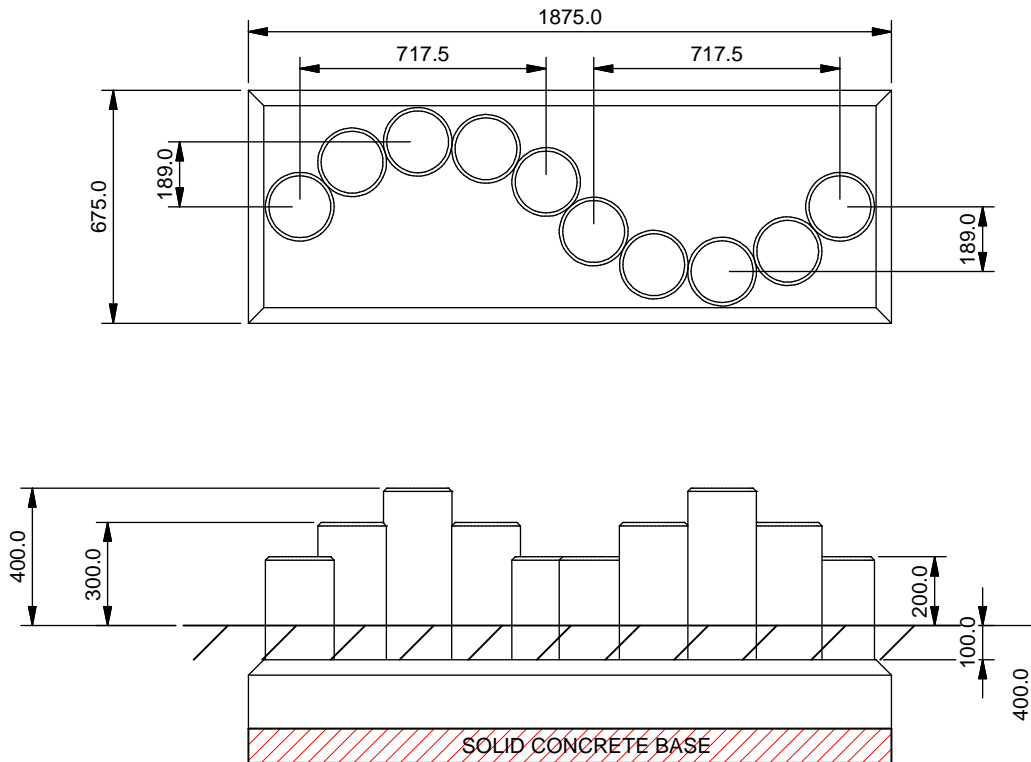
Drawing Number: SLWX-IN-AY	Code: TRAIL	Issue:	A						
Drawn By: AK	Date: 02/11/11	Issue Date:	02/11/11						
Sheet: 1 OF 6	3rd Angle Projection	Sign:	AK						

SLWH



SLOPE CONCRETE FOUNDATIONS AWAY FROM POSTS

SLWF

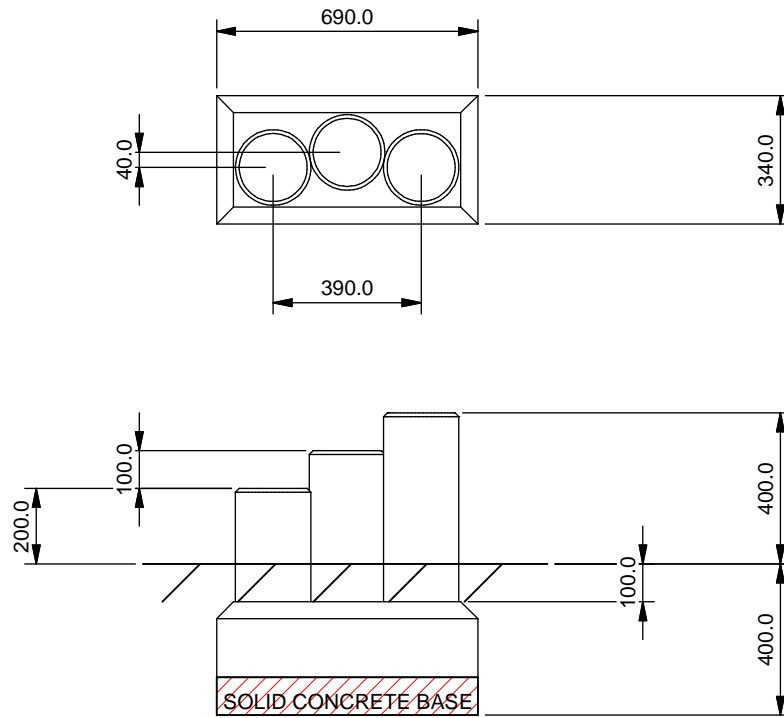


SLOPE CONCRETE FOUNDATIONS AWAY FROM POSTS



Drawing Number: SLWX-IN-AY	Code: SLWX	Issue:	A					
Drawn By: AK	Date: 02/11/11	Issue Date:	02/11/11					
Sheet: 2 OF 6	3rd Angle Projection	Sign:	AK					

SLWM

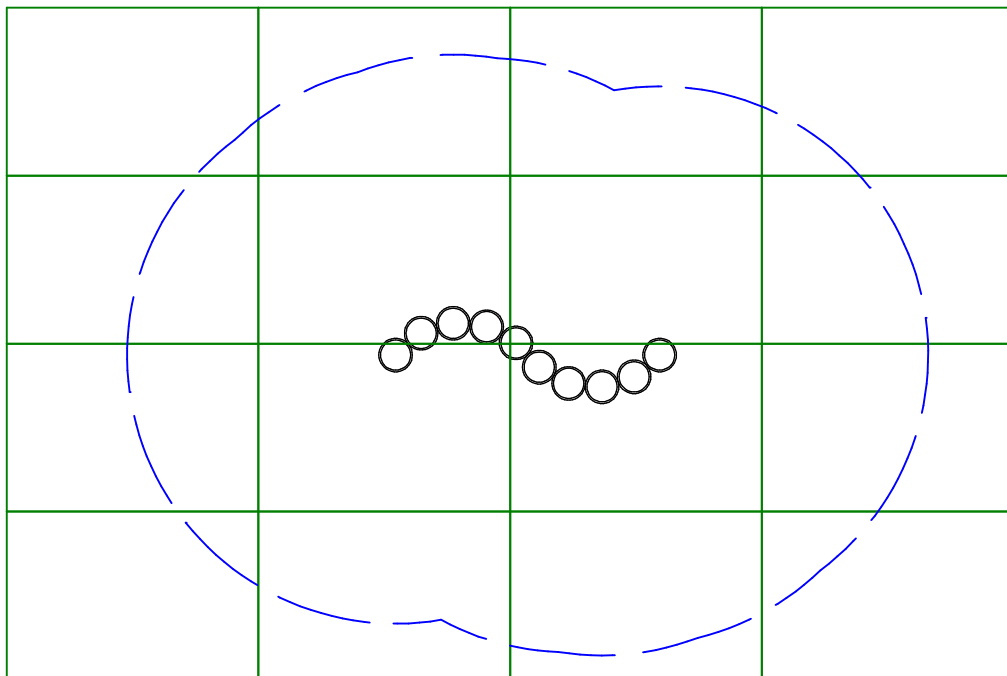
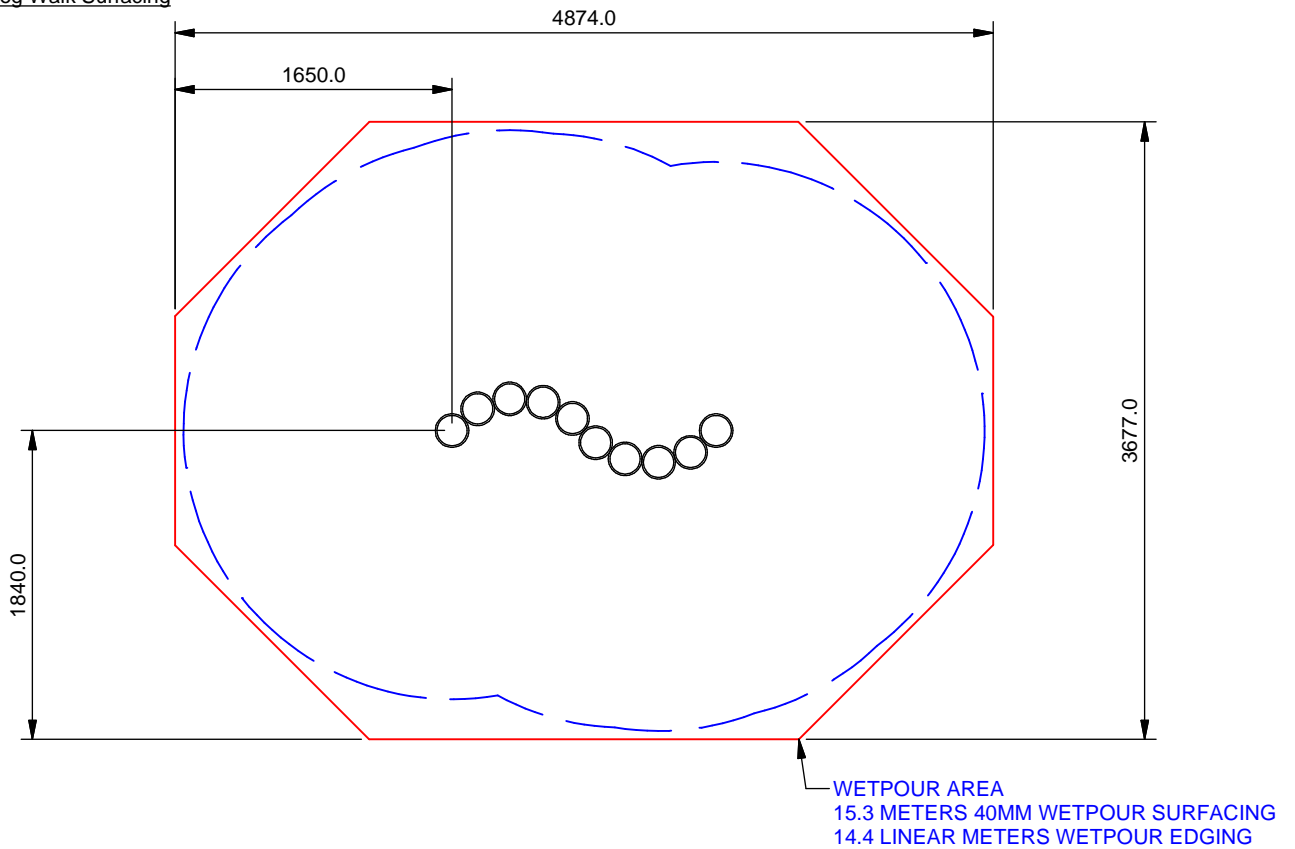


SLOPE CONCRETE FOUNDATIONS AWAY FROM POSTS




Drawing Number: SLWX-IN-AY	Code: SLWX	Issue:	A						
Drawn By: AK	Date: 02/11/11	Issue Date:	02/11/11						
Sheet: 3 OF 6	3rd Angle Projection	Sign:	AK						

SLWF - Full Log Walk Surfacing

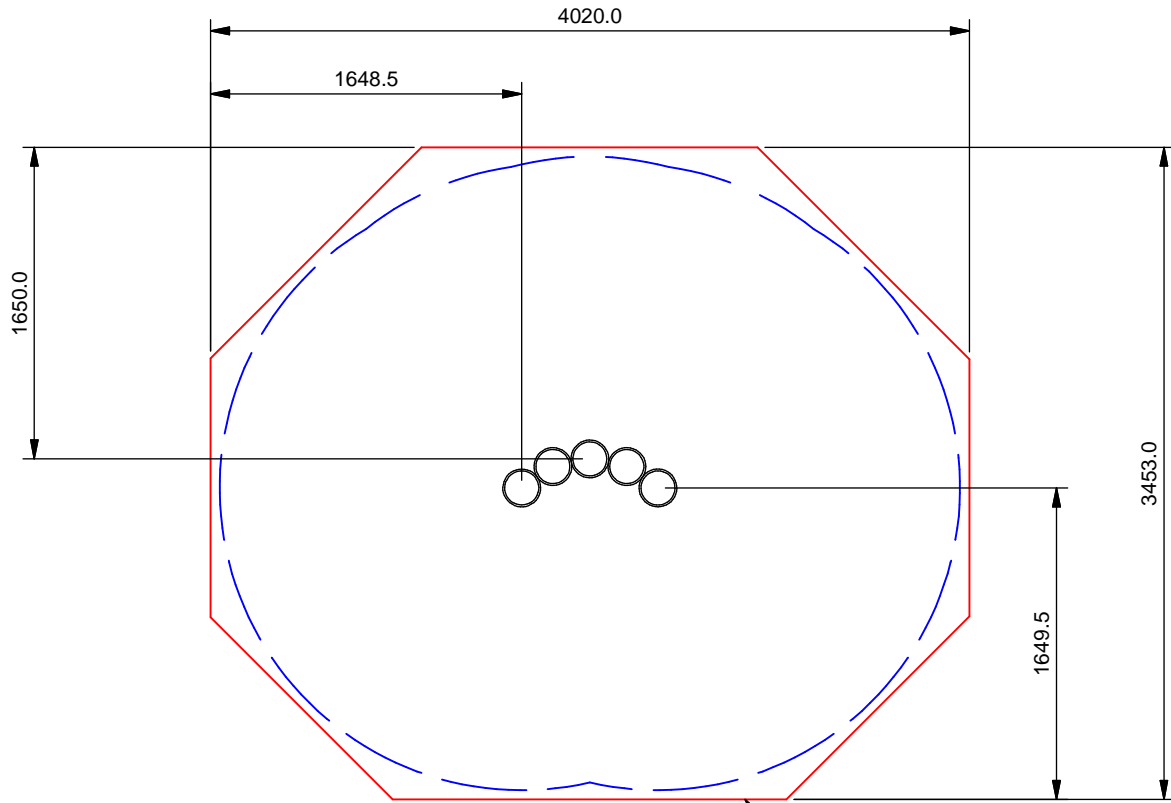


16 GRASS MATS (1.5M X 1.0M)

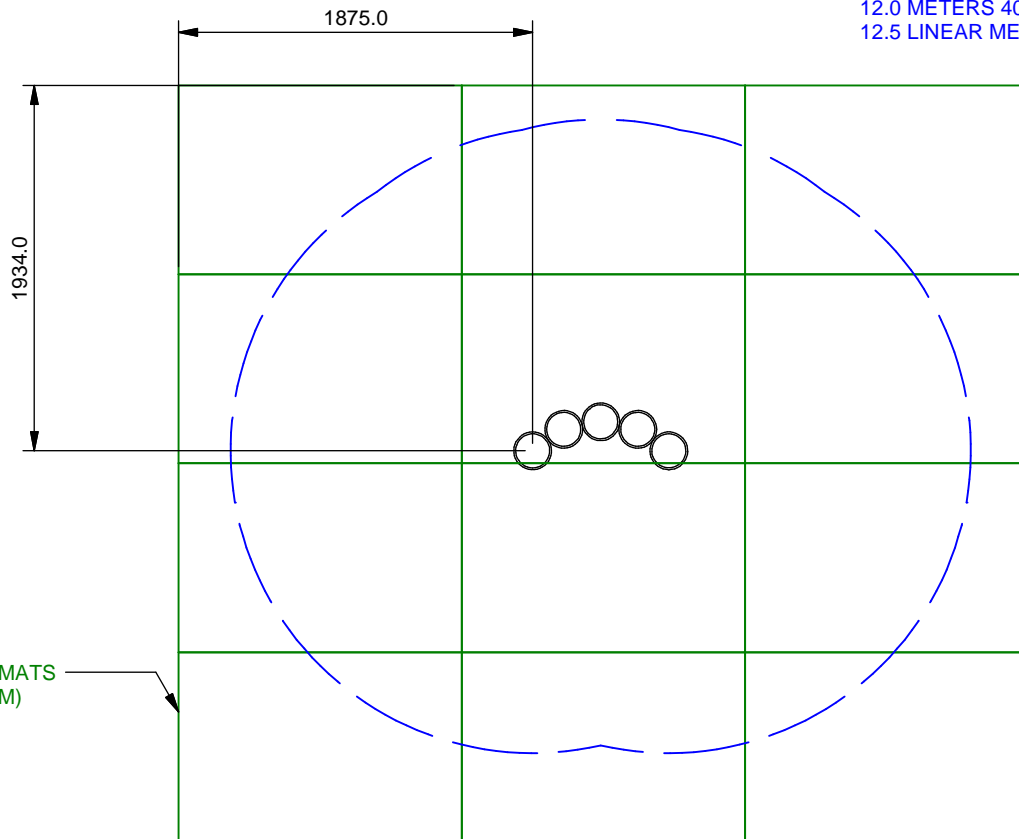


Drawing Number: SLWF-IN-AY	Code: SLWF	Issue:	A					
Drawn By: AK	Date: 02/11/11	Issue Date:	02/11/11					
Sheet: 4 OF 6	3rd Angle Projection 	Sign:	AK					

SLWH - Half Log Walk Surfacing



WETPOUR AREA
12.0 METERS 40MM WETPOUR SURFACING
12.5 LINEAR METERS WETPOUR EDGING

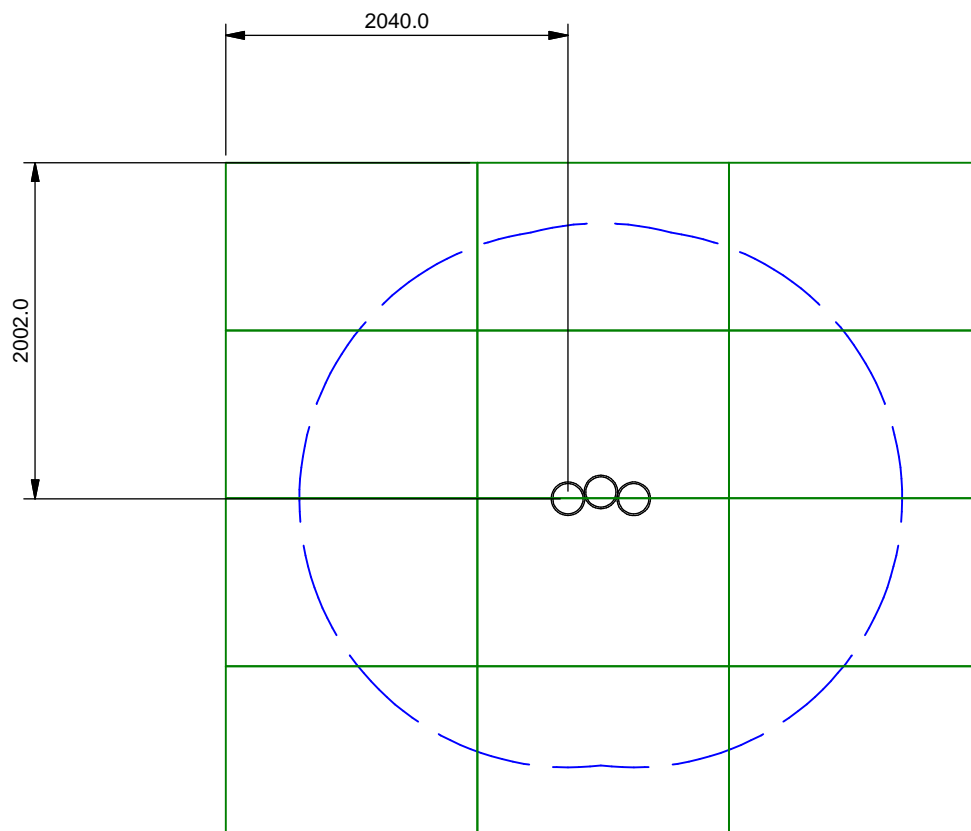
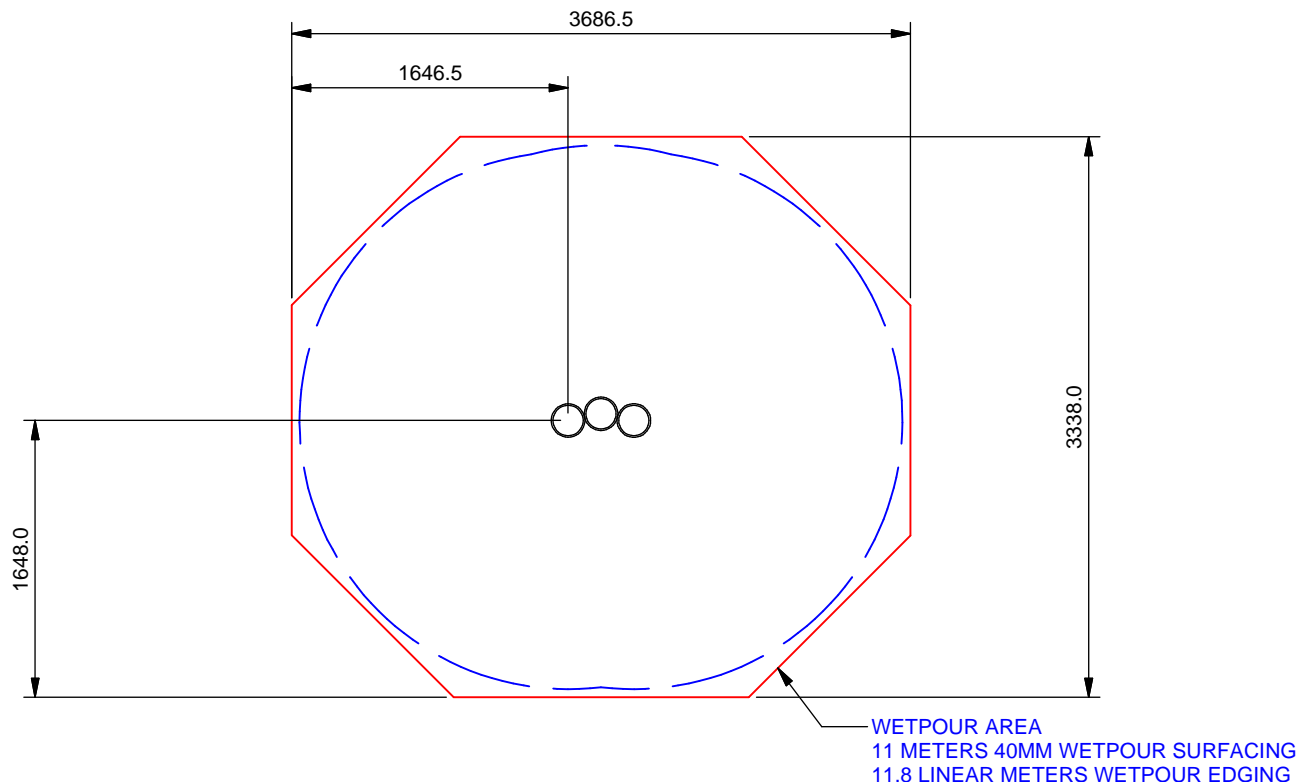


16 GRASS MATS
(1.5M X 1.0M)



Drawing Number: SLWH-IN-AY	Code: SLWH	Issue:	A					
Drawn By: AK	Date: 02/11/11	Issue Date:	02/11/11					
Sheet: 5 OF 6	3rd Angle Projection	Sign:	AK					

SLWM - Mini Log Walk Surfacing



12 GRASS MATS (1.5M X 1.0M)



Drawing Number: SLWM-IN-AY	Code: SLWM	Issue:	A					
Drawn By: AK	Date: 02/11/11	Issue Date:	02/11/11					
Sheet: 6 OF 6	3rd Angle Projection	Sign:	AK					