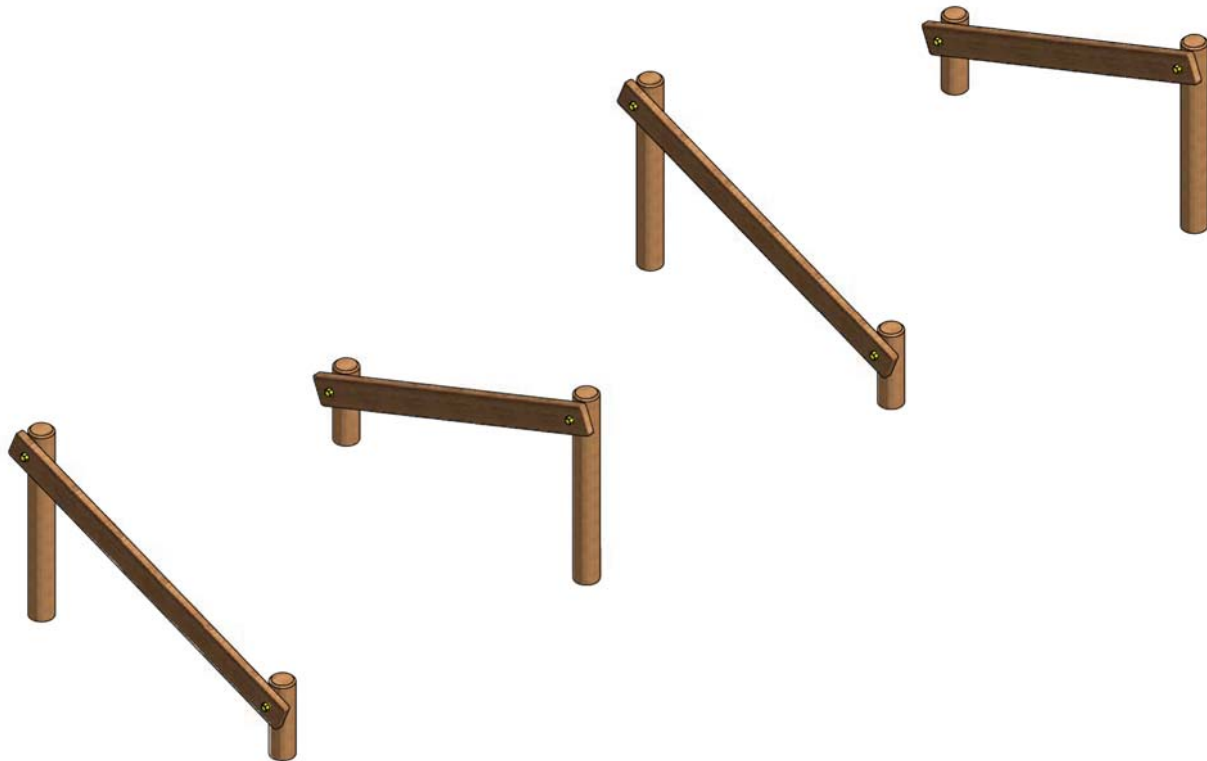


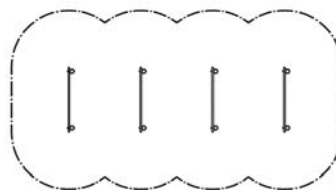
WE NOT ONLY RECOMMEND THAT CHILDREN ARE SUPERVISED AT ALL TIMES BUT ALSO ADVISE THAT SAFER SURFACING BE USED FOR ALL OUR EQUIPMENT



DIMENSIONS: L:5.9 x W:1.8 x H:1.0

TECHNICAL DATA

Minimum Space Required	8.8m x 4.8m
Free Height Of Fall	<0.6m
Topsoil or Turf Surfacing	OK
Safer Surfacing Area	8.8m x 4.8m
Intended Age Range	3+
Supervised Play	Recommended
Equipment Type	Outdoor Low Level
Curriculum	Agility & Co-ordination
Largest Component	1800mm x 150mm x 38mm
Heaviest Component	10.2 kg
Overall Equipment Weight	90 kg
Special Equipment Required	None
Concrete Qty Required	0.29m3



SCALE PLAN 1:200

AREA OF SAFER SURFACING

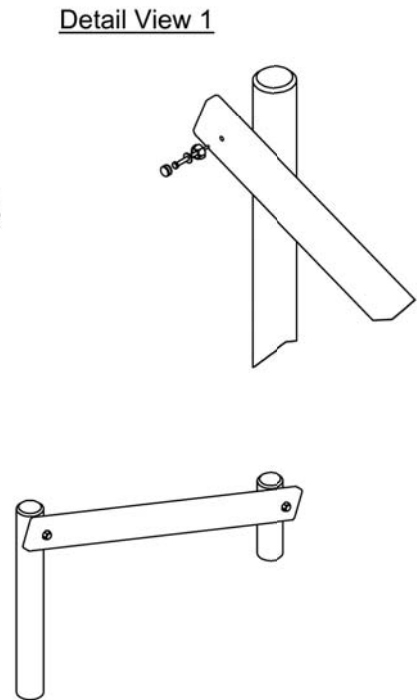
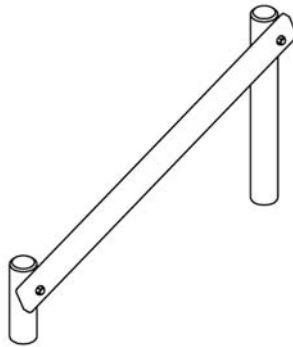
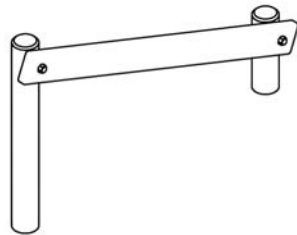
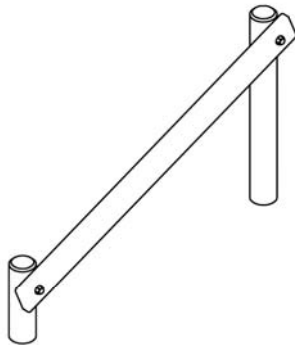
Wetpour	45m2
Durascape	22.4m2
GrassSaver 22	30 Tiles
Loose Fill	43m2



**BS EN:1176
COMPLIANT**




Parts List				
ITEM	QTY	PART No	DESCRIPTION	IMAGE
1	4	FRLT1512_BJ	1500mm x 120/125 dia	
2	4	FRLT0912_BP	900mm x 120/125 dia	
3	4	SJU04-C-WS	1800mm x 150mm x 38mm Post	
4	8	M10X120CS	M10 x 120 Hex Coach	
5	8	M10WASH	M10 HD Large Plain Washer	
6	8	M10DONUT	M10 Donut	

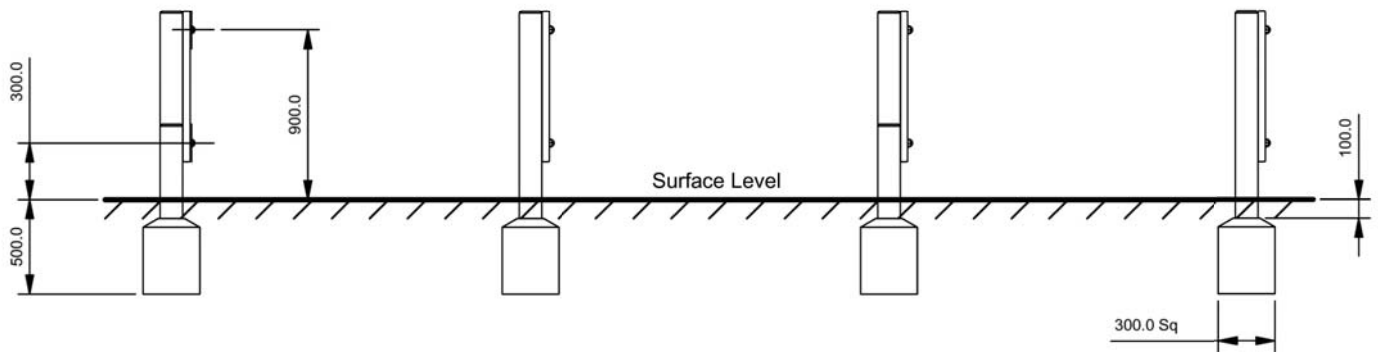
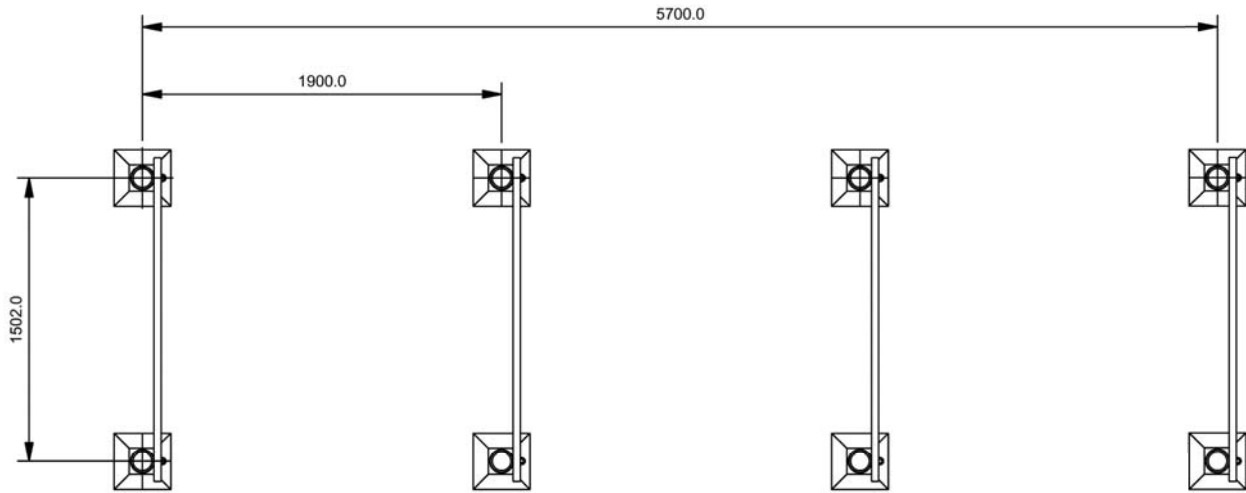



Installation Procedure

1. Excavate foundation holes as shown on sheet 2. When installing into loose surfaces such as sand, install the unit 100mm lower into the ground to allow for surfacing loss over time.
2. Using the coach screws provided create the "H" frame as shown in the detail view. Ensure a 6mm pilot hole has been drilled prior to prevent the timber splitting.
3. Position the assembly into the foundation holes, check the unit is level and the posts are plumb. Add concrete around posts. The top of the concrete should be 100mm below the finished surface level, see drawing sheet 2.
3. Leave the concrete to set for 48 Hours.
4. Sand any rough edges or Surfaces and treat with preservative if necessary.
5. Check and tighten all fixings and install protective caps once checked.
6. This unit must be maintained in accordance with our inspection and maintenance schedule and BS1176 part 7.



Drawing Number: SJU04-IN-AY				
TOLERANCES General ± 1.0 Hole Diameters ± 0.5 Fixing Centres ± 0.5 Angles ± 0.5	Material: See Drg			
	Finish: Clean	New	09/02/09	A
3rd Angle Projection 	Drawn By: AK	Scale: NTS	Sheet: 1	of: 2
Woodcot Court, 2A Woodcot Gardens, Farnborough, Hampshire GU14 9RD Tel: 01252 515199 Fax: 01252 515858 http://www.fawns.co.uk Email:fawns@fawns.co.uk No part of this document may be copied or used without the express written permission of FAWNS RECREATIONAL SERVICES LTD (c) FRS 2009				



Drawing Number: SJU04-IN-AY				
TOLERANCES General ± 1.0 Hole Diameters ± 0.5 Fixing Centres ± 0.5 Angles ± 0.5	Material: See Drg			
	Finish: Clean	New	09/09/09	A
3rd Angle Projection 	Drawn By: AK	Scale: NTS	Sheet: 2	of: 2
Woodcot Court, 2A Woodcot Gardens, Farnborough, Hampshire GU14 9RD Tel: 01252 515199 Fax: 01252 515858 http://www.fawns.co.uk Email: fawns@fawns.co.uk No part of this document may be copied or used without the express written permission of FAWNS RECREATIONAL SERVICES LTD (c) FRS 2009				