

## TRAIL

### SADDLE NET

PROD. CODE	SDN09
SIZE	L:2.25M W:2.25M H:1.6M
FFH	0.9M
AGE RANGE	3-7 YEARS OLD

## TECHNICAL DATA

MINIMUM SPACE REQUIRED	4.84M X 4.84M
SUPERVISED PLAY	RECOMMENDED
EQUIPMENT TYPE	LOW LEVEL
LARGEST PART	2.4M X 0.125M DIA (POST 001)
HEAVIEST PART	17KG (POST 001)

## INSTALLATION DETAILS

1. READ INSTALLATION INSTRUCTIONS THOROUGHLY BEFORE COMMENCING INSTALLATION OF UNIT
2. EXCAVATE FOUNDATIONS USING THE DETAIL AS SHOWN ON PAGE 2 OF THIS DOCUMENT
3. ENSURE TO CHECK AND TIGHTEN ALL FIXINGS USING PROTECTIVE CAPS WHERE NECESSARY
4. BACKFILL FOUNDATIONS WITH 0.112 CUBIC M CONCRETE ALLOWING TO SET FOR 48 HOURS
5. REMOVE ALL ASSEMBLY AIDS BEFORE THE EQUIPMENT IS USED

THIS PRODUCT CONFORMS WITH BS EN1176- 1 :2008



Woodcot Court, 2A Woodcot Gardens, Farnborough, Hampshire GU14 9RD Tel: 01252 515199 Fax: 01252 515858

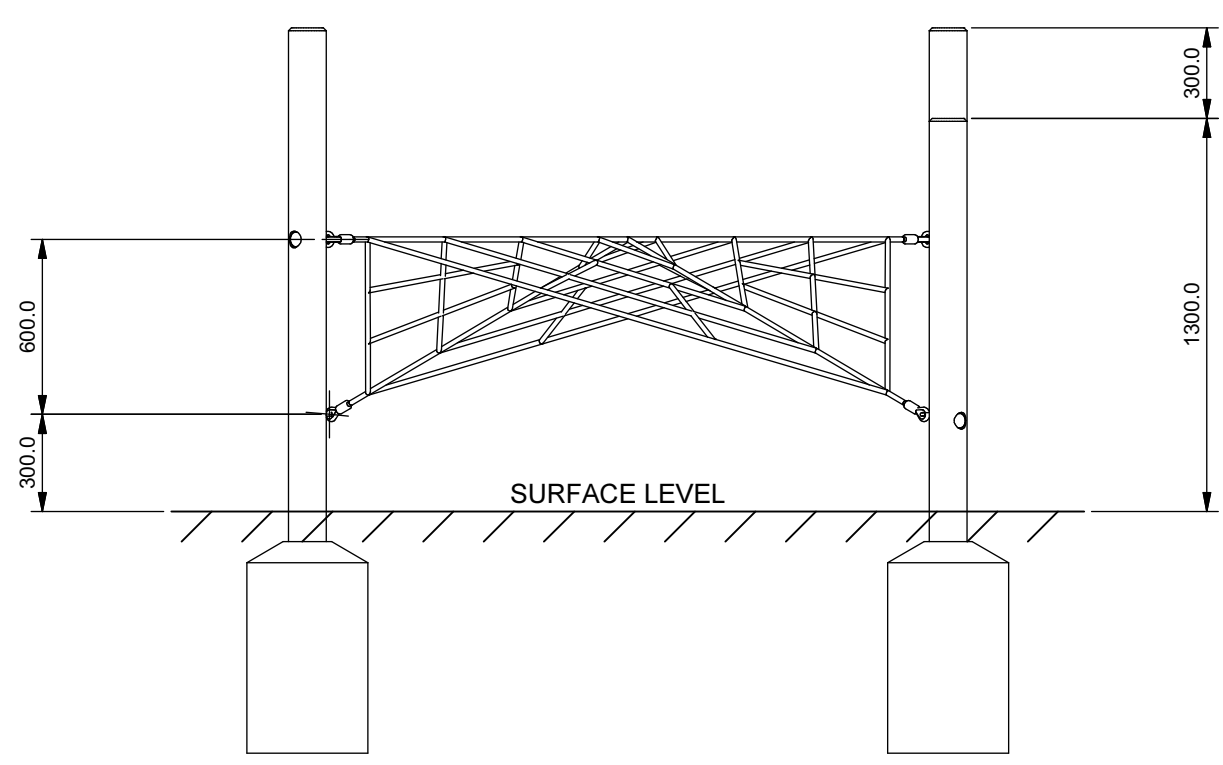
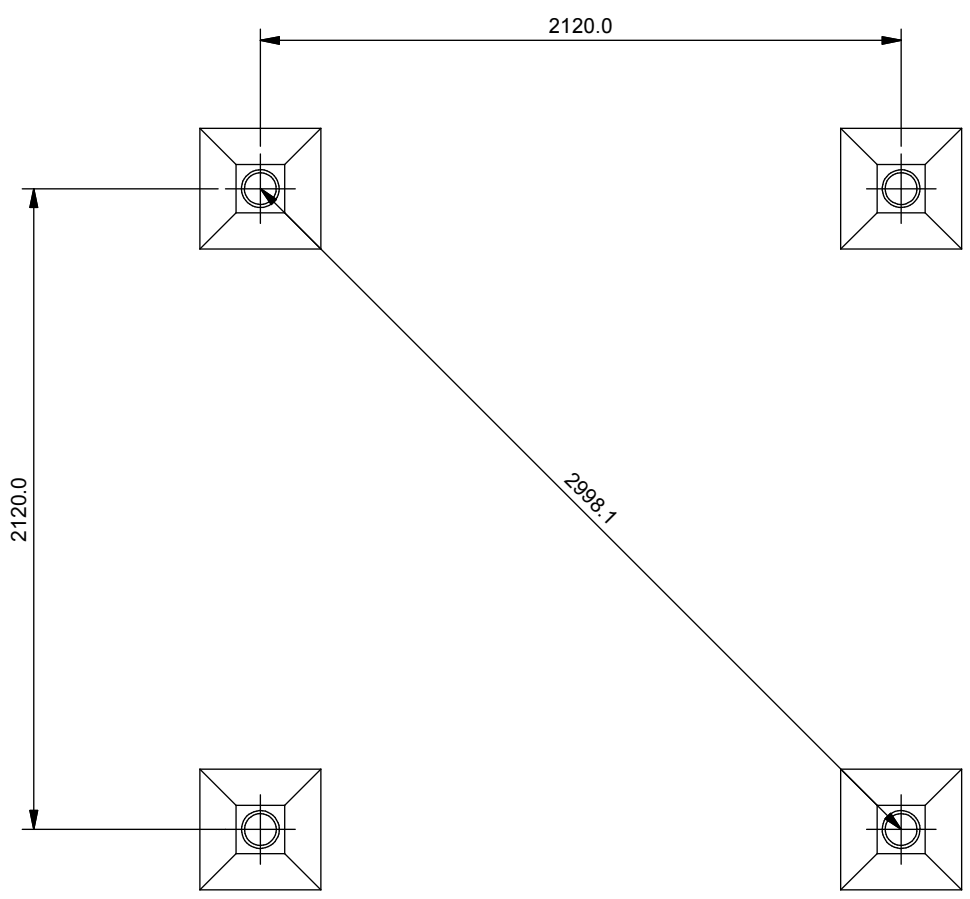
<http://www.fawns.co.uk> mail:fawns@fawns.co.uk

No part of this document may be copied or used without the express written permission of FAWNS RECREATIONAL SERVICES LTD (c) FRS 2015

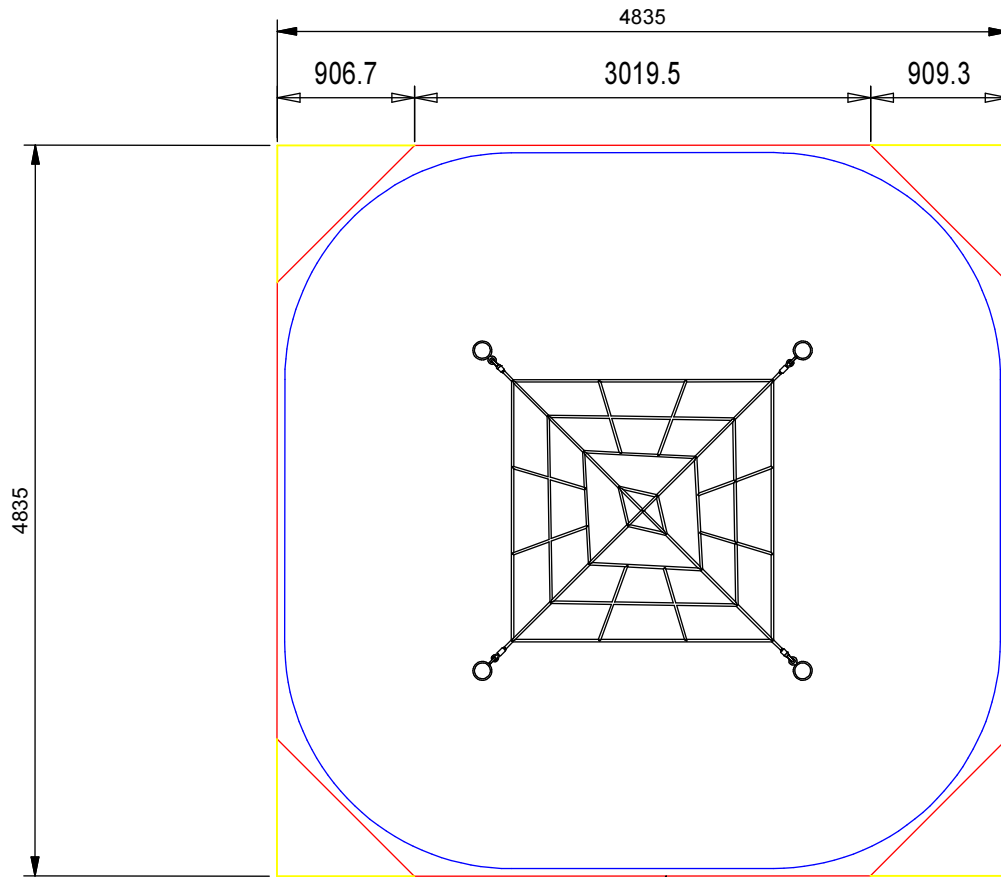
Version: A

Date: 24/03/16

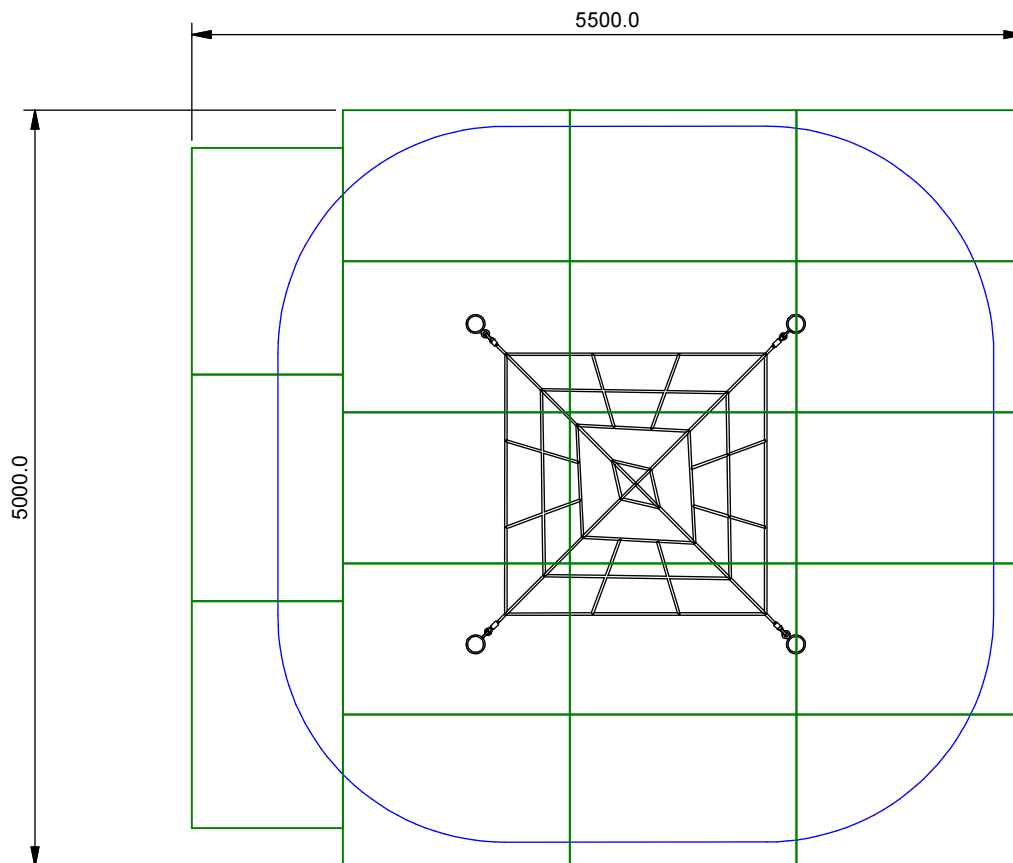
PAGE 1 OF 3








ALL FOUNDATIONS 400 X 400 X 800 DEEP UNLESS OTHERWISE SPECIFIED

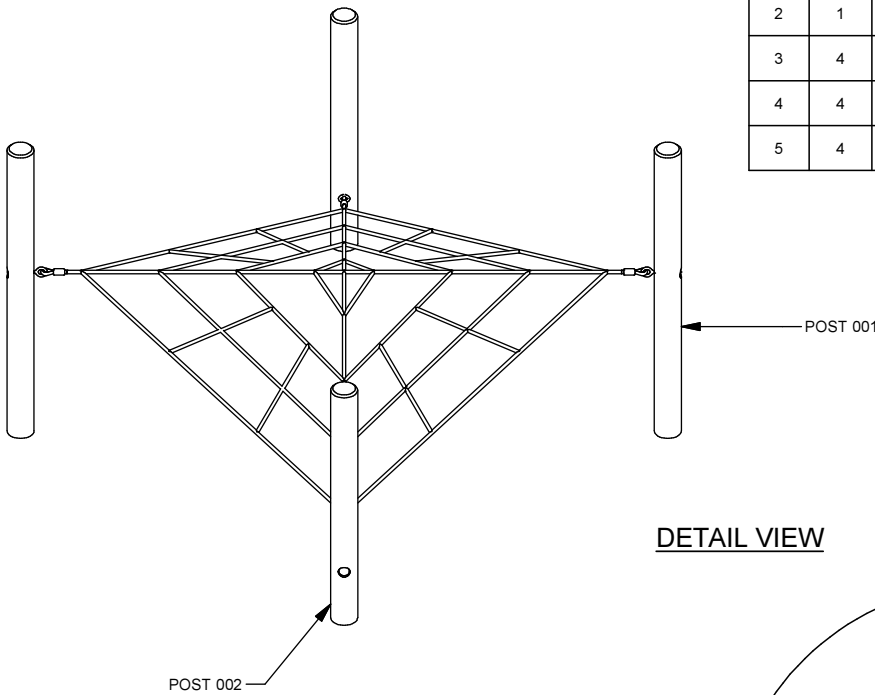


21.8 SQ METRES WETPOUR SURFACING  
 17.3 LINEAR METRES WETPOUR EDGING

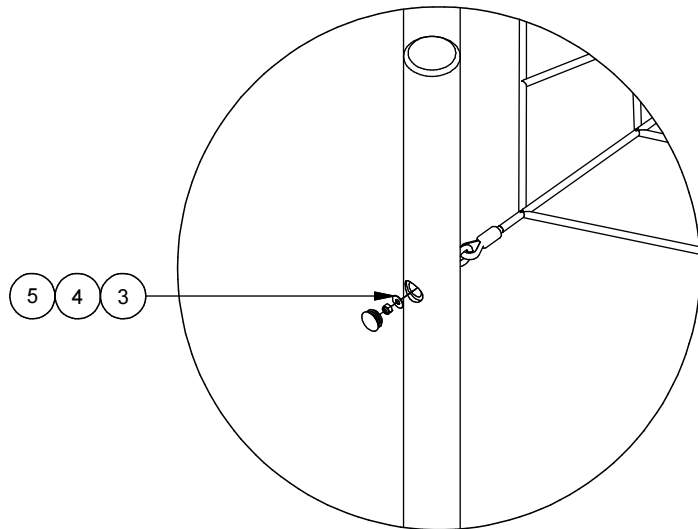


18 GRASS SAVER TILES (1.5M X 1.0M)

Parts List				
ITEM	QTY	PART No	DESCRIPTION	IMAGE
1	1	FRTB00878	SADDLE NET TIMBER SET	
2	1	FRMS00494_03	600/900 Saddle Net Rope Set	
3	4	M12WASH	32MM 12G WASHER	
4	4	M12NYLOC	M12 NYLOC NUT	
5	4	PLC480DCAP	POLY CAP 48	




**DETAIL VIEW**



**Installation Procedure**

1. Excavate foundation as shown on page 2 of the specification sheet.
2. Position each post into the foundation holes. Loosely attached the rope using the supplied fixings as illustrated above. **DO NOT CONCRETE POSTS UNTIL THE ROPE HAS BEEN LOOSELY ATTACHED AND APPROPRIATELY TENSIONED**
3. Position the assembly into the foundation holes, check the unit is level and the posts are plumb. Add concrete around posts. The top of the concrete should be 100mm below the finished surface level and should slope away from the posts as shown. See drawing sheet 2.
4. Leave the concrete to set for 48 Hours.
5. Sand any rough edges or Surfaces and treat with preservative if necessary.
6. Check and tighten all fixings, install protective caps and add security pins to shackle once checked.
7. This unit must be maintained in accordance with our inspection and maintenance schedule and BS1176 part 7.



Drawing Number: SDN09-IN-AY	Code: SDN09	Issue:							
Drawn By: AK	Date: 24/03/16	Issue Date:							
Sheet: 1 OF 1	3rd Angle Projection 	Sign:							