

TRAIL

ROCK & ROLL LOG CROSSING

PROD. CODE	RRLC09
SIZE	3.0M X 0.24M X 2.3M
FFH	<0.6M
AGE RANGE	5 - 11 YEARS OLD

TECHNICAL DATA

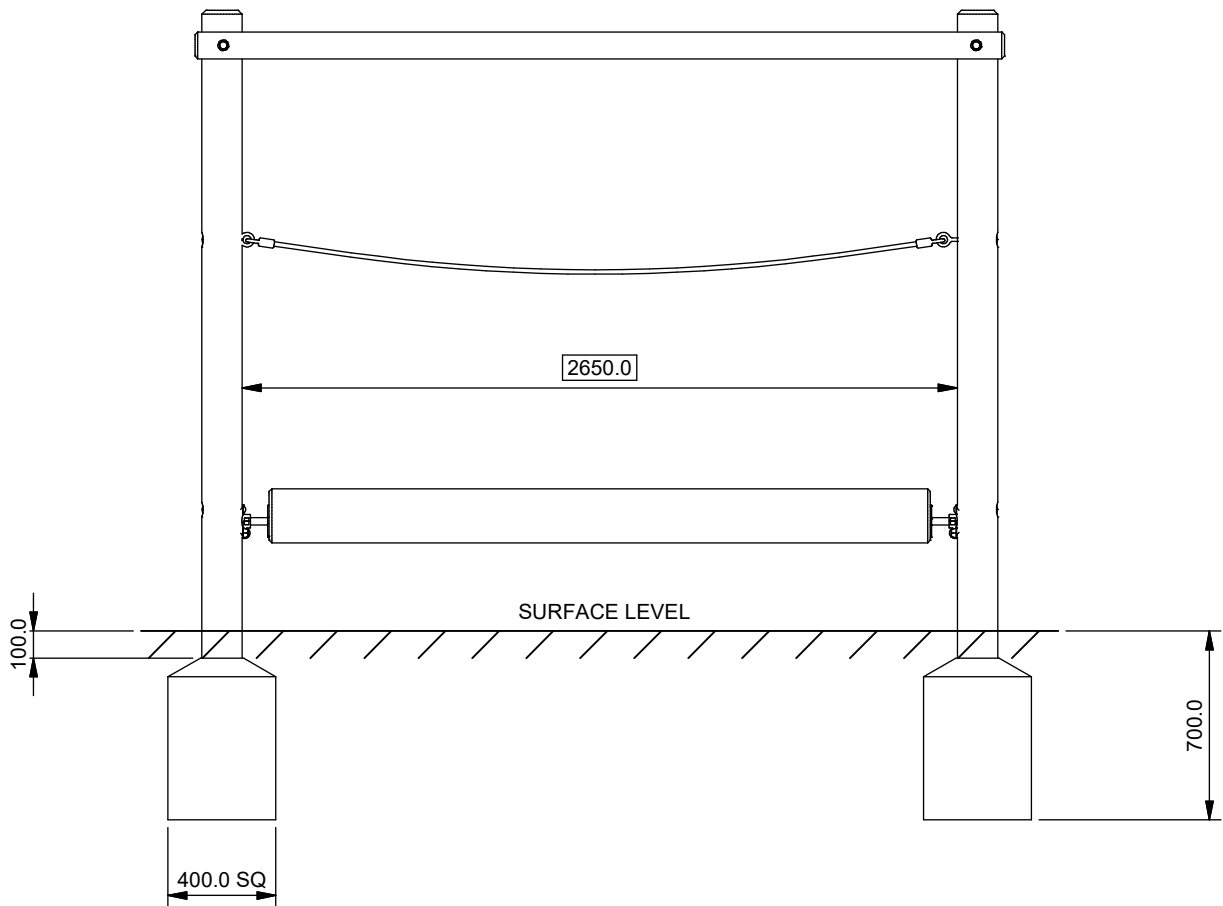
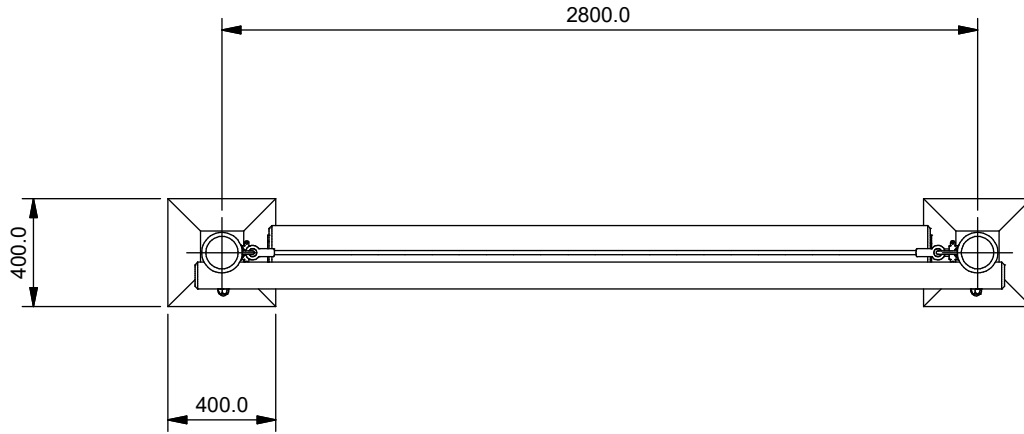
MINIMUM SPACE REQUIRED	6M X 3.3M
SUPERVISED PLAY	RECOMMENDED
EQUIPMENT TYPE	LOW LEVEL
LARGEST PART	2.45M X 0.2M (AF)
HEAVIEST PART	46KG

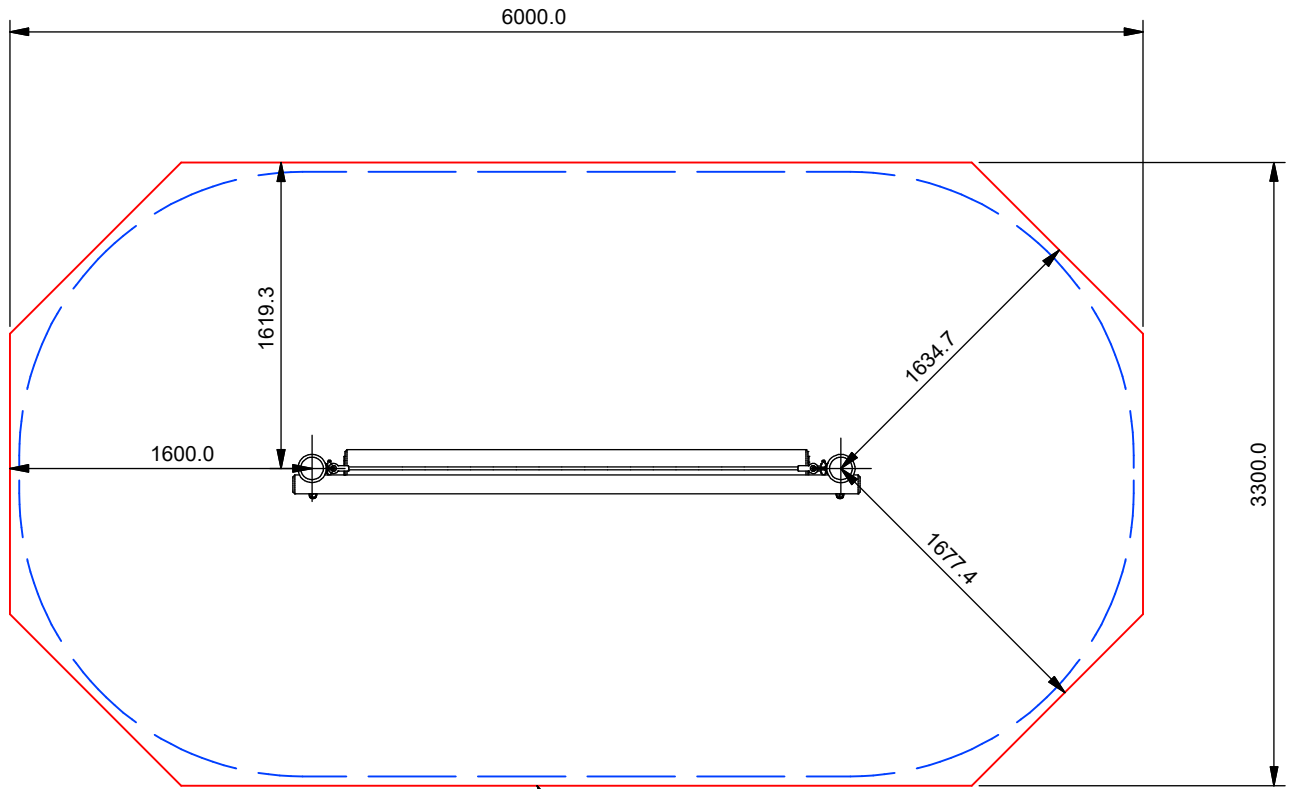
INSTALLATION DETAILS

1. READ INSTALLATION INSTRUCTIONS THOROUGHLY BEFORE COMMENCING INSTALLATION OF UNIT
2. EXCAVATE FOUNDATIONS USING THE DETAIL AS SHOWN ON PAGE 2 OF THIS DOCUMENT
3. ENSURE TO CHECK AND TIGHTEN ALL FIXINGS USING PROTECTIVE CAPS WHERE NECESSARY
4. BACKFILL FOUNDATIONS WITH 0.096 CUBIC M CONCRETE ALLOWING TO SET FOR 48 HOURS
5. REMOVE ALL ASSEMBLY AIDS BEFORE THE EQUIPMENT IS USED

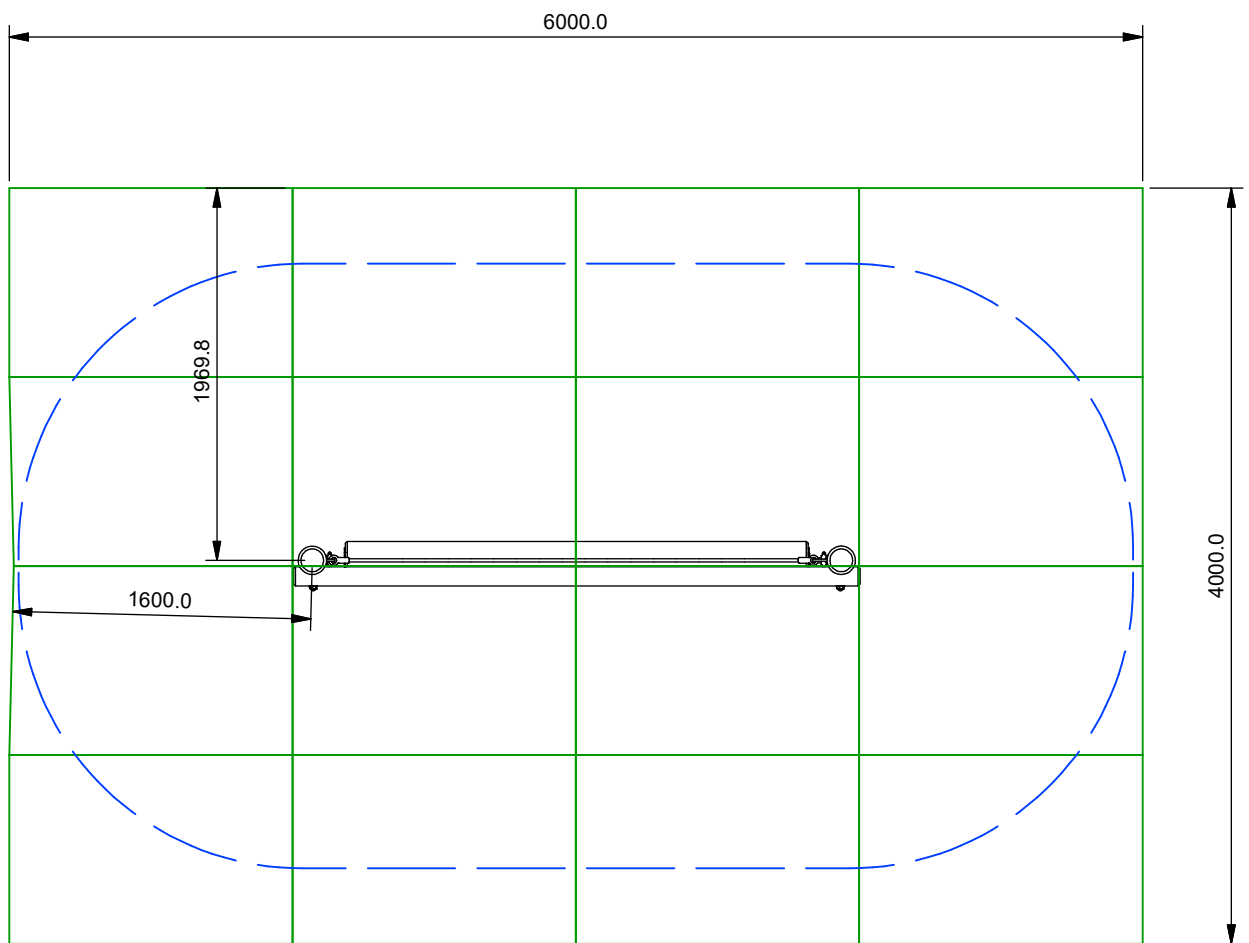
THIS PRODUCT CONFORMS WITH BS EN1176- 1 :2008



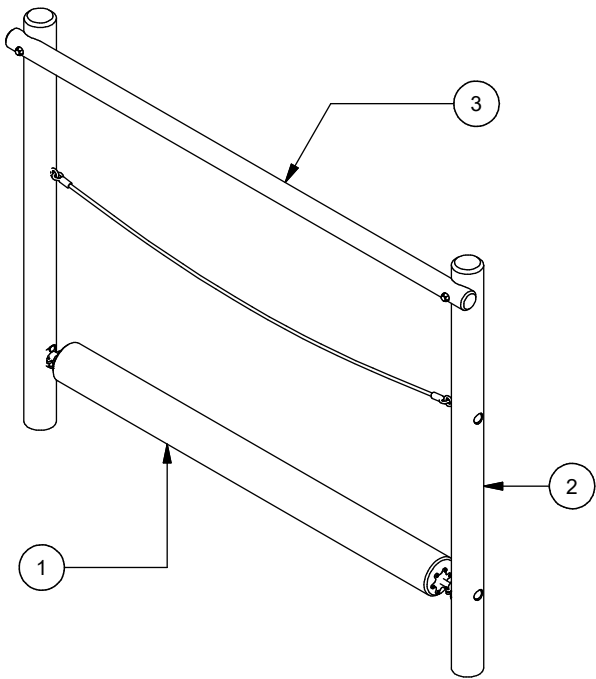




18.2 SQ METRES WETPOUR SURFACING
16.5 LINEAR METRES WETPOUR EDGING



16 GRASS SAVER TILES (1.5M X 1.0M)



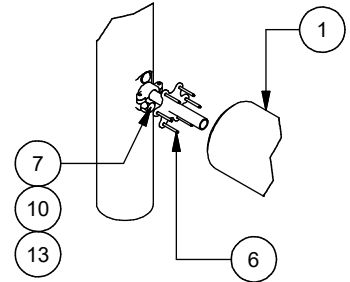
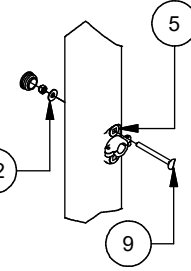
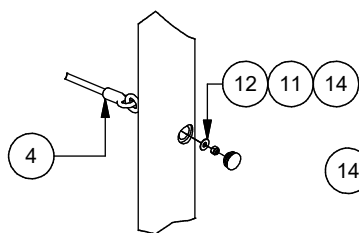
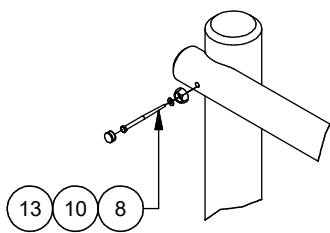
Parts List				
ITEM	QTY	PART NUMBER	DESCRIPTION	IMAGE
1	1	FRLT2514_AF	2450mm x 200 dia	
2	2	FRLT3014_AG	3000mm x 150 dia	
3	1	FRLT3010_AH	3000mm x 100 dia	
4	1	FRMS00827	SINGLE ROPE	
5	2	PT1262	POLE TWISTER METAL WORK	
6	12	M6X60SCREW	M6X60 SCREW	
7	2	M10X80CHS	M10 X 80 HEX COACH SS	
8	2	M10X150CS	M10 x 150 Coach Screw	
9	2	M12X130CB	M12 X 130 COACH BOLT	
10	4	M10SWASH	M10 PLAIN WASHER	
11	4	M12NYLOC	M12 NYLOC NUT	
12	4	M12WASH	32MM 12G WASHER	
13	4	M10DONUT	M10 DONUT (YELLOW)	
14	4	PLC480DCAP	POLY CAP 48	

POST ASSEMBLY

ROPE ASSEMBLY

BRACKET ASSEMBLY

BRACKET ASSEMBLY



Installation Procedure

1. Excavate foundation holes as shown on sheet RRLC09-SPEC. When installing into loose surfaces such as sand install the unit 100mm lower into the ground to allow for surfacing loss over time.
2. Attach Timber Cross Beam "3" to Vertical posts "2" using Coach screws as shown. Drill an 8mm pilot hole in each vertical post (ensure counterbore holes face outwards on the vertical posts before assembly)
3. Position the assembly into the foundation holes check the unit is level and the posts are plumb. (The assembly is heavy and care should be taken when lifting into place.)
4. Attach the Single Rope through the timber horizontal. Attach the Rotating Post "C" as shown, to the frame using the supplied Coach Bolt, utilising the pre-drilled counterbore hole and using a Coach Screw ensuring to drill a Pilot Hole. For the rotating post, ensure 2mm pilot holes are pre-drilled.
5. Add concrete around posts, the top of the concrete should be 100mm below the finished surface level and should slope away from posts as shown. See drawing sheet 2.
6. Leave the concrete to set for 48 Hours. If the equipment is likely to be used during this time remove the ropes from the posts and re attach the following day.
7. Sand any rough edges or Surfaces and treat with preservative if necessary.
8. Check and tighten all fixings and install protective caps once checked.

	Drawing Number: RRLC09-IN-AY	Code: RRLC09	Issue: A B				
	Drawn By: AK	Date: 08/11/13	Issue Date: 02/09/09 08/11/13				
	Sheet: 1 OF 1	3rd Angle Projection	Sign: AK AK				

