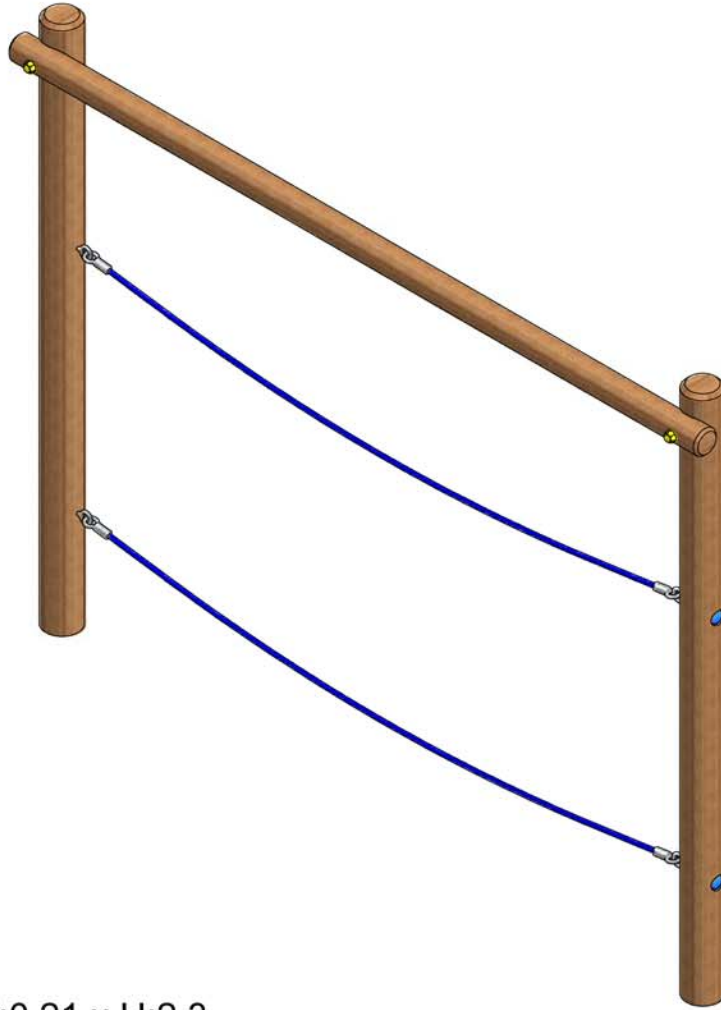


WE NOT ONLY RECOMMEND THAT CHILDREN ARE SUPERVISED AT ALL TIMES BUT ALSO ADVISE THAT SAFER SURFACING BE USED FOR ALL OUR EQUIPMENT



DIMENSIONS: L:3.0 x W:0.21 x H:2.3

TECHNICAL DATA

| | |
|----------------------------|----------------------------------|
| Minimum Space Required | 6.0m x 3.15m |
| Free Height Of Fall | <0.6m |
| Topsoil or Turf Surfacing | OK |
| Safer Surfacing Area | 6.0m x 3.15m |
| Intended Age Range | 3+ |
| Supervised Play | Recommended |
| Equipment Type | Outdoor Low Level |
| Curriculum | Balance, Agility & Co-ordination |
| Largest Component | 3000mm x 140mm dia |
| Heaviest Component | 27.7kg |
| Overall Equipment Weight | 75 kg |
| Special Equipment Required | None |
| Concrete Qty Required | 0.2m3 |



SCALE PLAN 1:200

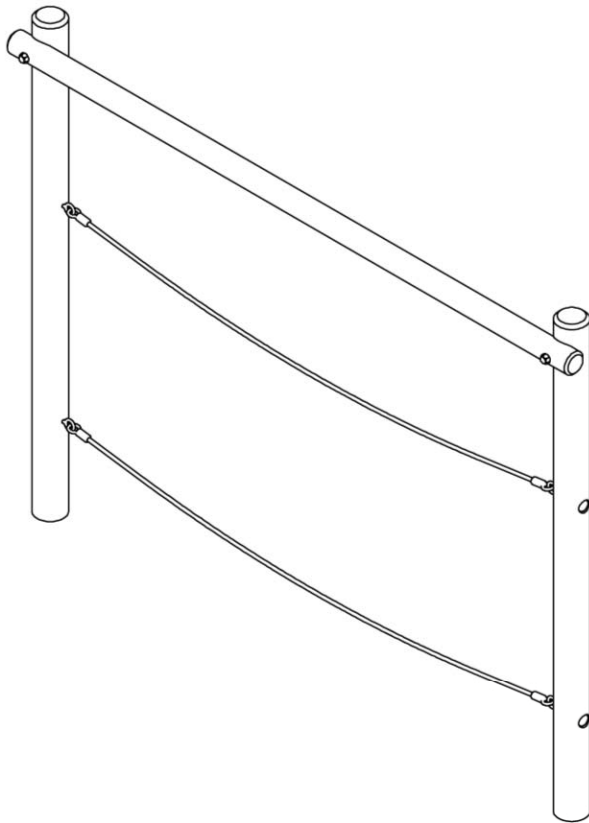
AREA OF SAFER SURFACING

| | |
|---------------|----------|
| Wetpour | 19m2 |
| Durascape | 24.8m2 |
| GrassSaver 22 | 16 Tiles |
| Loose Fill | 19m2 |



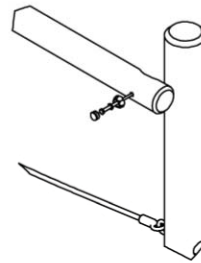
BS EN:1176
COMPLIANT



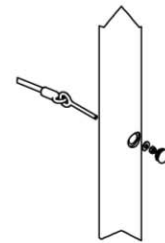


| Parts List | | | | |
|------------|-----|-------------|-----------------------------|-------|
| ITEM | QTY | PART No | DESCRIPTION | IMAGE |
| 1 | 2 | FRLT3014_AG | 3000mm x 140/150 dia | |
| 2 | 1 | FRLT3010_AH | 3000mm x 100 dia | |
| 3 | 1 | FRMS00484 | Parallel Rope Walk Rope Set | |
| 4 | 2 | M10X150CS | M10 x 150 Coach Screw | |
| 10 | 2 | M10SWASH | M10 Plain Washer | |
| 6 | 4 | M12NYLOC | M12 Nyloc Nut | |
| 7 | 4 | M12WASH | 1/2" x 1 1/4" 12G Washer | |
| 8 | 2 | M10DONUT | M10 Donut | |
| 9 | 4 | PLC480DCAP | Poly Cap 48 | |

Detail View 1



Detail View 2

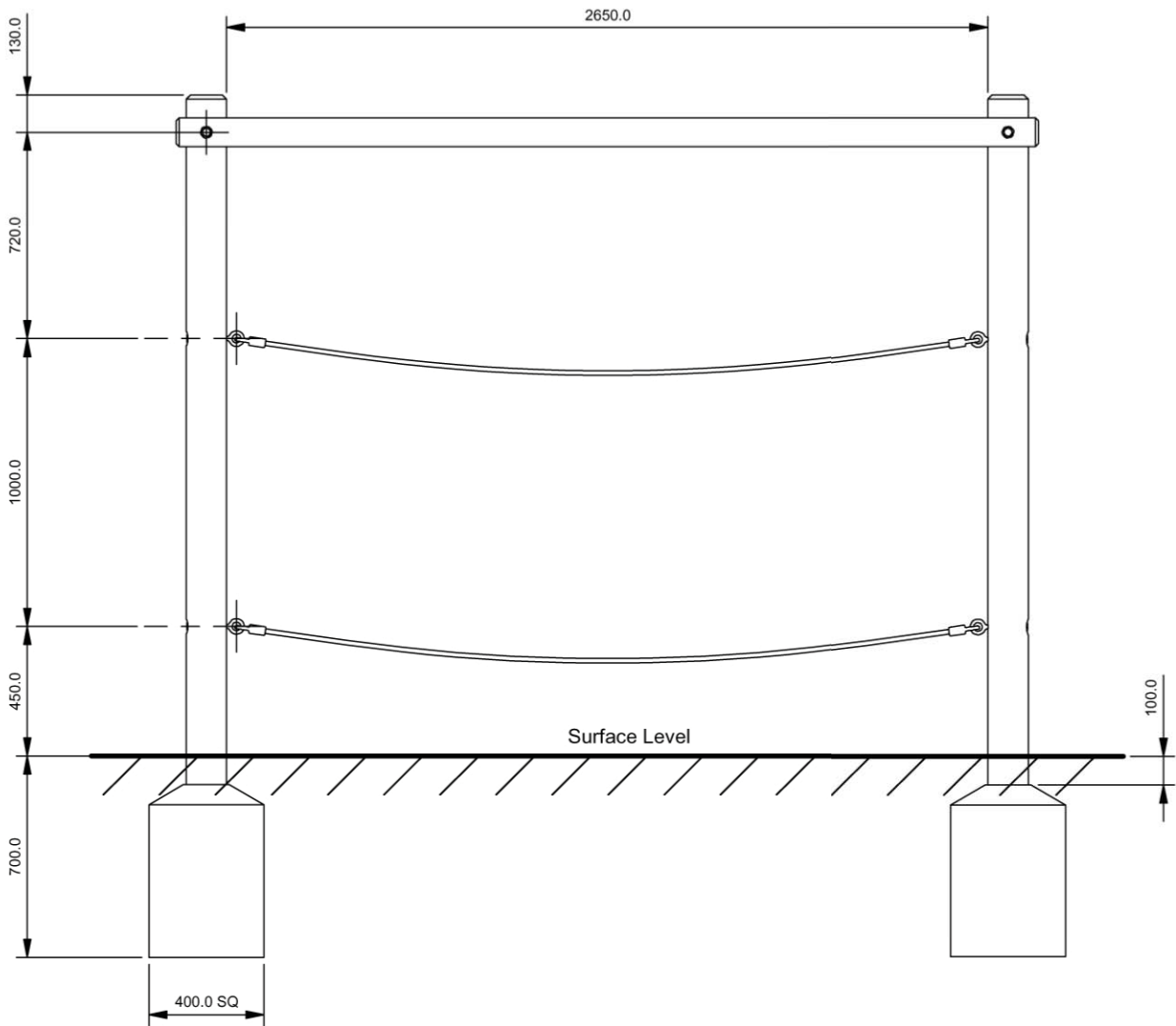
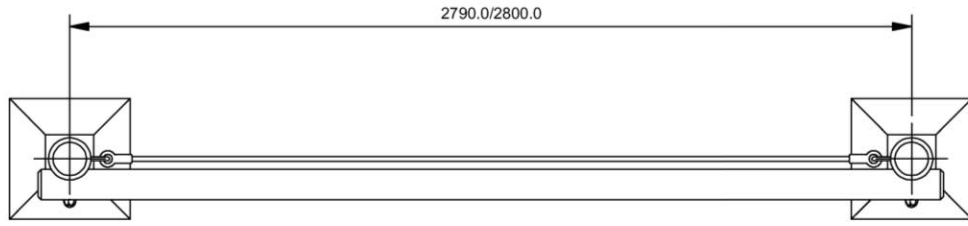



Installation Procedure.

1. Excavate foundation holes as shown on sheet 2. When installing into loose surfaces such as sand install the unit 100mm lower into the ground to allow for surfacing loss over time.
2. Attach Timber Cross Beam to Vertical posts using Coach screws as shown in detail view 1(ensure counterbore holes face outwards on the vertical posts before assembly)
3. Position the assembly into the foundation holes check the unit is level and the posts are plumb. (The assembly is heavy and care should be taken when lifting into place.)
4. Attach the Ropes to the frame as shown in detail view 2.
5. Add concrete around posts, the top of the concrete should be 100mm below the finished surface level and should slope away from posts as shown. See drawing sheet 2.
6. Leave the concrete to set for 48 Hours. If the equipment is likely to be used during this time remove the ropes from the posts and re attach the following day.
7. Sand any rough edges or Surfaces and treat with preservative if necessary.
8. Check and tighten all fixings and install protective caps once checked
9. This unit must be maintained in accordance with our inspection and maintenance schedule and BS1176 part 7.



| | | | | |
|------------------------------------------------------------------------------------------------------------------------------------------------------------------------------------------------------------------------------------------------------------------------------------------------|-----------------------------|------------------------------------------------|----------|-------|
| Drawing Number: PRW09-IN-AY | | | | |
| TOLERANCES General ± 1.0 Hole Diameters ± 0.5 Fixing Centres ± 0.5 Angles ± 0.5 | Material: See Drg | | | |
| | Finish: Clean | New | 09/02/09 | A |
| 3rd Angle Projection | Drawn By: AK | CN | Date | Issue |
| Woodcot Court, 2A Woodcot Gardens, Farnborough, Hampshire GU14 9RD Tel: 01252 515199 Fax: 01252 515858 http://www.fawns.co.uk Email:fawns@fawns.co.uk No part of this document may be copied or used without the express written permission of FAWNS RECREATIONAL SERVICES LTD (c) FRS 2009 | | Scale: NTS Sheet: 1 of: 2 | | |



| | | | | |
|--------------------------------------------------------------------------------------------------------------------|-----------------------------|-----------------|--------------|-------|
| Drawing Number: PRW09-IN-AY | | | | |
| TOLERANCES General ± 1.0 Hole Diameters ± 0.5 Fixing Centres ± 0.5 Angles ± 0.5 | Material: See Drg | | | |
| | Finish: Clean | New | 09/09/09 | A |
| 3rd Angle Projection  | Drawn By: AK | CN | Date | Issue |
| | Scale: NTS | Sheet: 2 | of: 2 | |