

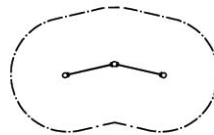
WE NOT ONLY RECOMMEND THAT CHILDREN ARE SUPERVISED AT ALL TIMES BUT ALSO ADVISE THAT SAFER SURFACING BE USED FOR ALL OUR EQUIPMENT



DIMENSIONS: L:2.8 x W:0.44 x H:20

TECHNICAL DATA

Minimum Space Required	5.48m x 3.29m
Free Height Of Fall	<0.6m
Topsoil or Turf Surfacing	OK
Safer Surfacing Area	5.48m x 3.29m
Intended Age Range	3+
Supervised Play	Recommended
Equipment Type	Outdoor Low Level
Curriculum	Balance, Agility & Co-ordination
Largest Component	2700mm x 140mm dia
Heaviest Component	37.3 kg
Overall Equipment Weight	145 kg
Special Equipment Required	None
Concrete Qty Required	0.3m3



SCALE PLAN 1:200

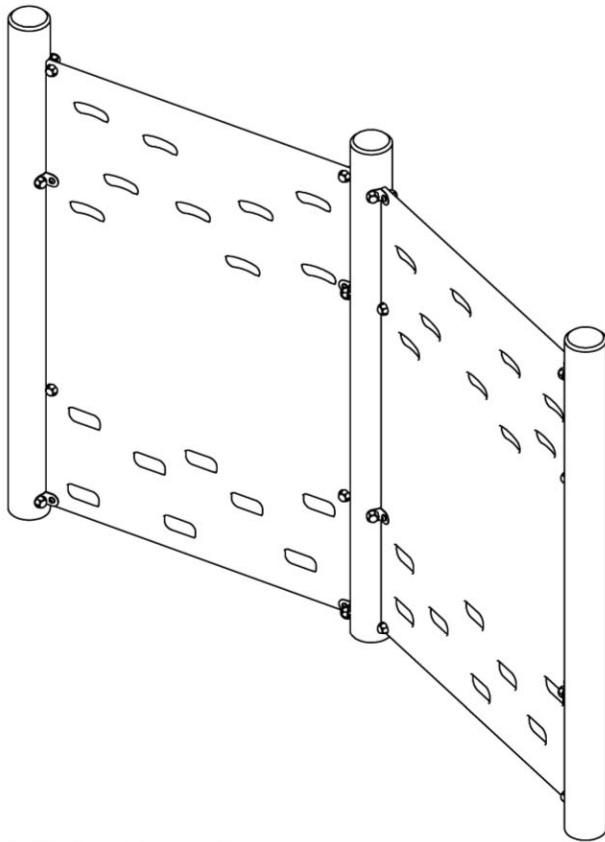
AREA OF SAFER SURFACING

Wetpour	21m2
Durascape	26m2
GrassSaver 22	18 Tiles
Loose Fill	21m2

API
Association of Play
Industries Registered
Constructor

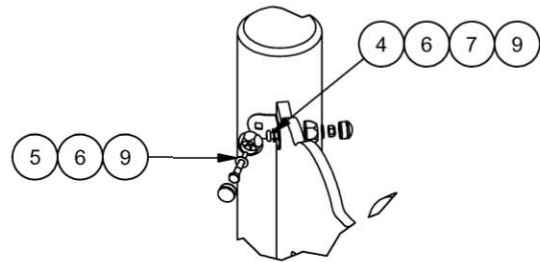
**BS EN:1176
COMPLIANT**





Parts List				
ITEM	QTY	PART No	DESCRIPTION	IMAGE
1	1	FRPE00321_A	JUNGLE HDPE PANEL A	
2	1	FRPE00321_B	JUNGLE HDPE PANEL B	
3	3	FRLT2714_CR	2700mm x 140/150 dia	
4	16	M10X40BHSS	M10 x 40 Socket Button Head SS	
5	16	M10X70CS	M10 x 70 Coach Screw	
6	48	M10SSWASH	M10 Plain Washer SS	
7	16	M10NYLOC	M10 Nyloc Hex Nut MS ZP	
8	16	SSB505090R	50 x 50 x 125 Dia Post Brkt	
9	32	M10DONUT	M10 Donut	

Detail View 1



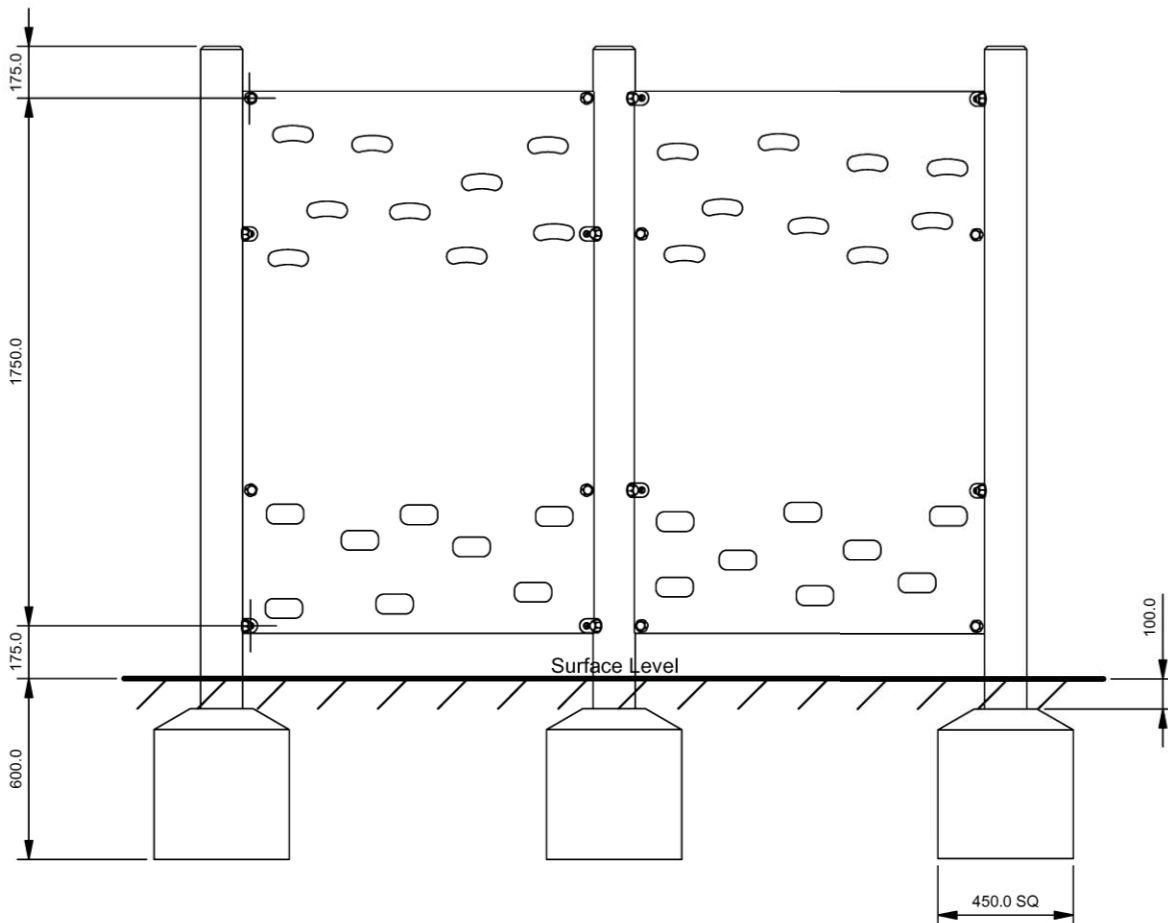
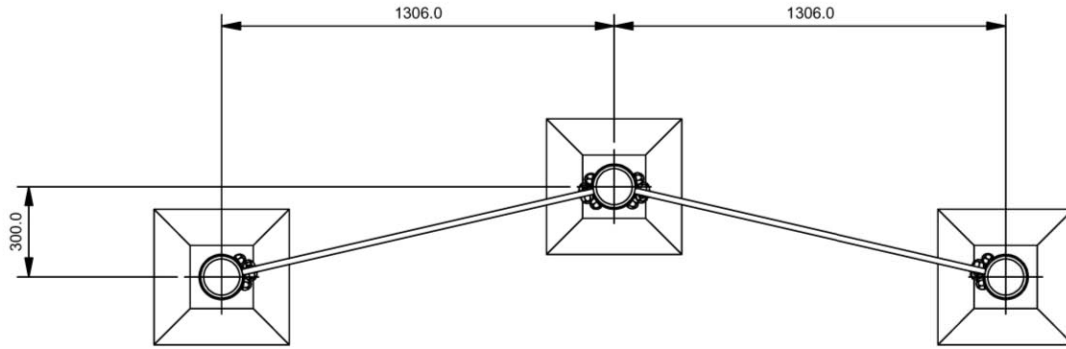
Installation Procedure

1. Excavate foundation holes as shown on sheet 2. When installing into loose surfaces such as sand install the unit 100mm lower into the ground to allow for surfacing loss over time. For Bark pit installation see FRS Data Sheet Number "BP01-IN"
2. Attach Climbing Panels to Vertical posts using Fixings shown (ensure 6mm pilot holes are pre-drilled & panels are angled as shown on sheet 2)
3. Check the unit is level and the posts are plumb. (The assembly is heavy and care should be taken when adjusting position)
4. Add concrete around posts, the top of the concrete should be 100mm below the finished surface level and should slope away from posts as shown. See drawing sheet 2.
5. Leave the concrete to set for 48 Hours.
6. Sand any rough edges or Surfaces and treat with preservative if necessary.
7. Check and tighten all fixings and install protective caps once checked.
8. Carry out post installation inspection as per enclosed schedule sheet "PIN1"
9. This unit must be maintained in accordance with our inspection and maintenance schedule and BS1176 part 7.

	Drawing Number: JTW-IN-AY				
	TOLERANCES General ± 1.0 Hole Diameters ± 0.5 Fixing Centres ± 0.5 Angles ± 0.5	Material: See Drg			
		Finish: Clean	New	09/02/09	A
	3rd Angle Projection	Drawn By: AK	Scale: NTS	CN	Date

Sheet: **1** of: **2**

Woodcot Court, 2A Woodcot Gardens, Farnborough, Hampshire GU14 9RD Tel: 01252 515199 Fax: 01252 515858 <http://www.fawns.co.uk> Email: fawns@fawns.co.uk
 No part of this document may be copied or used without the express written permission of FAWNS RECREATIONAL SERVICES LTD (c) FRS 2009



Drawing Number:

JTW-IN-AY

TOLERANCES

General ± 1.0
 Hole Diameters ± 0.5
 Fixing Centres ± 0.5
 Angles ± 0.5

Material:
See Drg

Finish:
Clean

New	02/09/09	A
CN	Date	Issue

3rd Angle Projection



Drawn By: **AK**

Scale: **NTS**

Sheet: **2** of: **2**