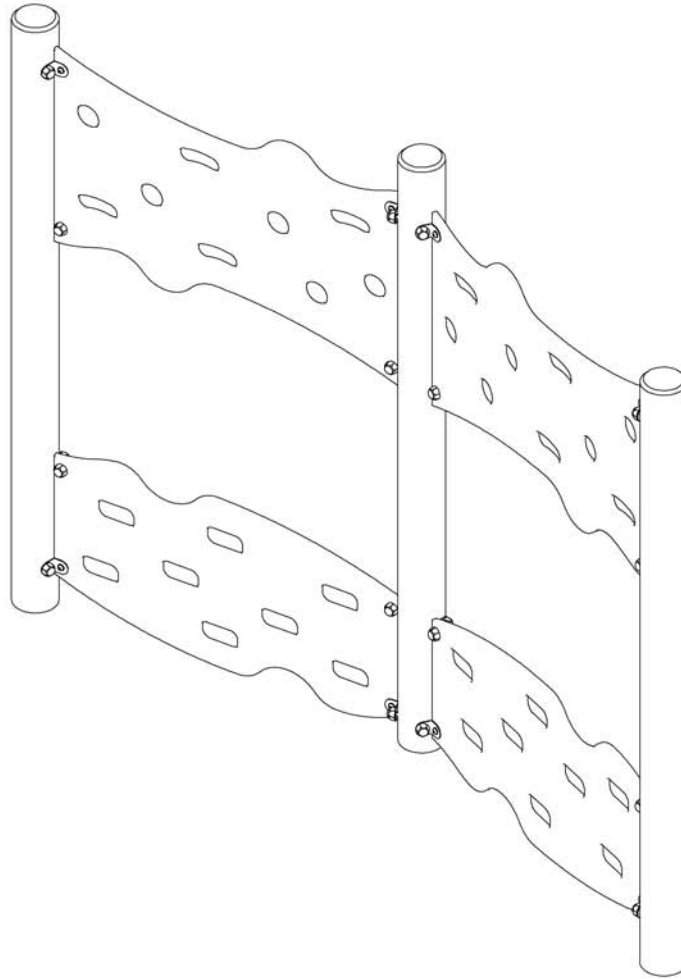


WE NOT ONLY RECOMMEND THAT CHILDREN ARE SUPERVISED AT ALL TIMES BUT ALSO ADVISE THAT SAFER SURFACING BE USED FOR ALL OUR EQUIPMENT



DIMENSIONS: L:2.8 x W:0.45 x H:2.1

### TECHNICAL DATA

Minimum Space Required	6.28m x 3.47m
Free Height Of Fall	<0.6m
Topsoil or Turf Surfacing	OK
Safer Surfacing Area	6.28m x 3.47m
Intended Age Range	3+
Supervised Play	Recommended
Equipment Type	Outdoor Low Level
Curriculum	Balance, Agility & Co-ordination
Largest Component	2700mm x 140mm dia
Heaviest Component	24.9 kg
Overall Equipment Weight	123 kg
Special Equipment Required	None
Concrete Qty Required	0.3m3



SCALE PLAN 1:200

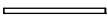




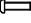





### AREA OF SAFER SURFACING

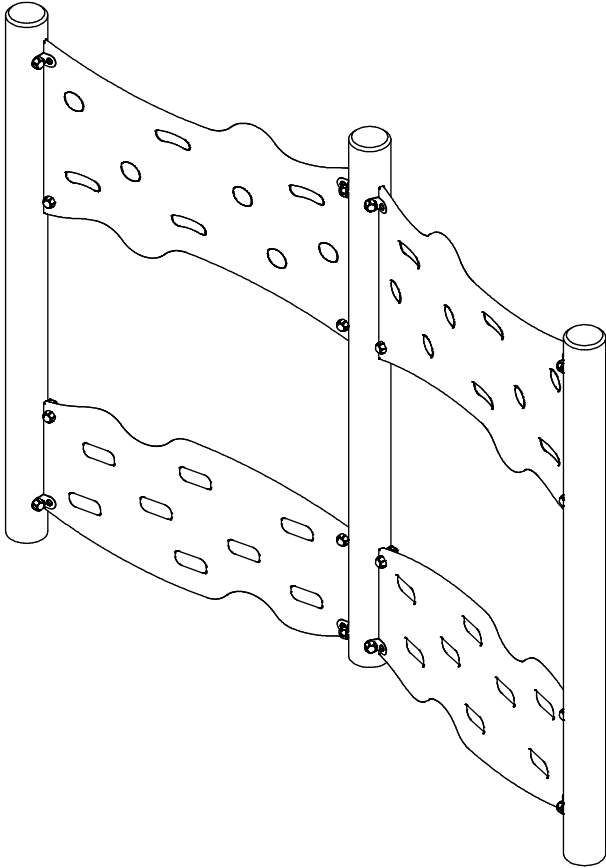
Wetpour	20m2
Durascape	26m2
GrassSaver 22	20 Tiles
Loose Fill	20m2

**API**  
Association of Play  
Industries Registered  
Constructor

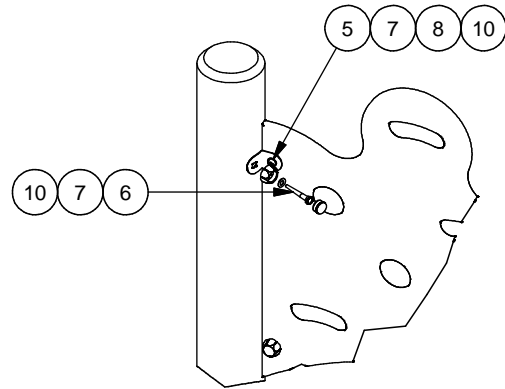
**BS EN:1176  
COMPLIANT**



Parts List				
ITEM	QTY	PART No	DESCRIPTION	IMAGE
1	3	FRLT2714_CR	2700mm x 140/150 dia	
2	1	FPRE00497_A	Jigsaw Traverse Panel A	
3	1	FPRE00497_B	Jigsaw Traverse Panel B	
4	1	FPRE00497_C	Jigsaw Traverse Panel A	
5	1	FPRE00497_D	Jigsaw Traverse Panel B	
5	16	M10X40BHSS	M10 x 40 Socket Button Head SS	
6	16	M10X70CS	M10 x 70 Coach Screw	
7	48	M10SSWASH	M10 Plain Washer SS	
8	16	M10NYLOC	M10 NYLOC HEX NUT MS ZP	
9	16	SSB505090R	50 X 50 X 125 DIA POST BRKT	
10	32	M10DONUT	M10 DONUT (YELLOW)	




Detail View 1

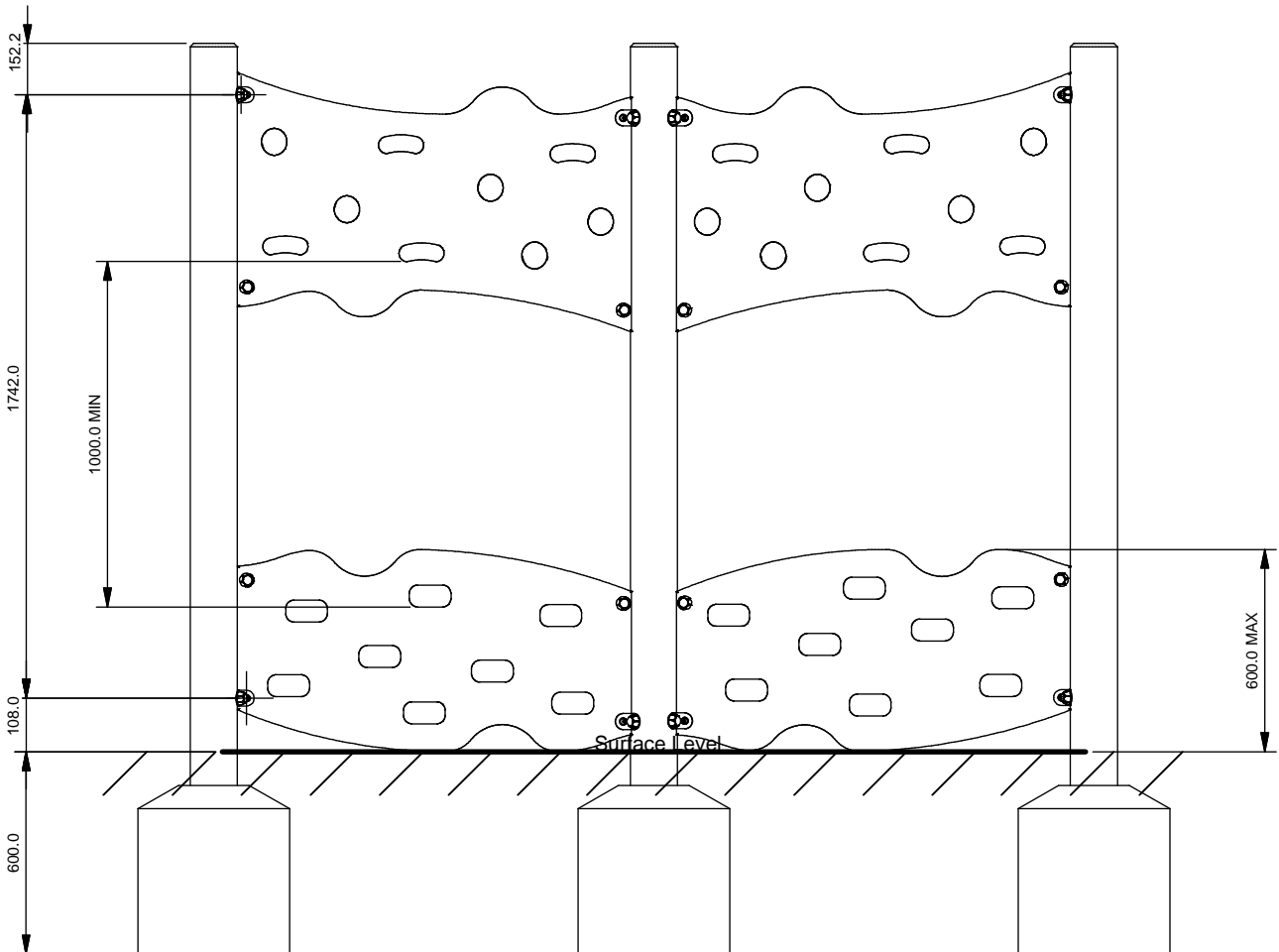
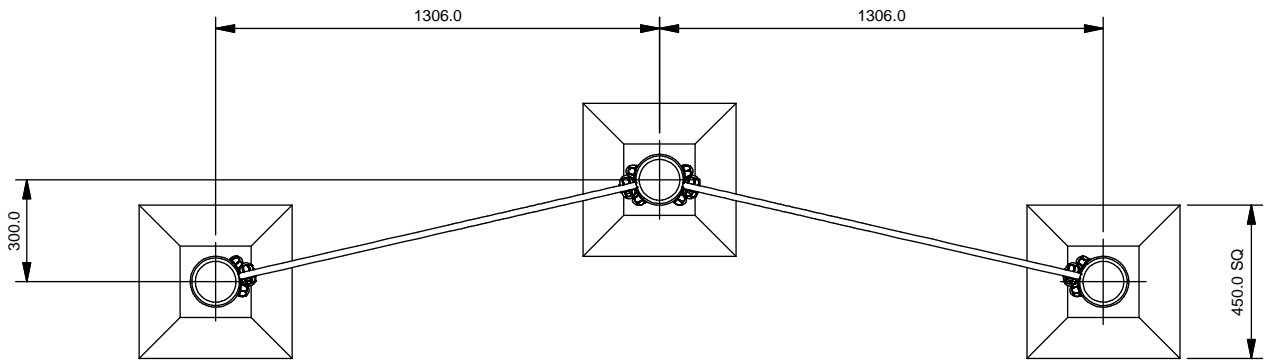


## Installation Procedure

1. Excavate foundation holes as shown on sheet 2. When installing into loose surfaces such as sand install the unit 100mm lower into the ground to allow for surfacing loss over time. For Bark pit installation see FRS Data Sheet Number "BP01-IN"
2. Attach Climbing Panels to Vertical posts using Fixings shown (ensure 6mm pilot holes are pre-drilled & panels are angled as shown on sheet 2)
3. Check the unit is level and the posts are plumb. (The assembly is heavy and care should be taken when adjusting position)
4. Add concrete around posts, the top of the concrete should be 100mm below the finished surface level and should slope away from posts as shown. See drawing sheet 2.
5. Leave the concrete to set for 48 Hours.
6. Sand any rough edges or Surfaces and treat with preservative if necessary.
7. Check and tighten all fixings and install protective caps once checked.
8. Carry out post installation inspection as per enclosed schedule sheet "PIN1"
9. This unit must be maintained in accordance with our inspection and maintenance schedule and BS1176 part 7.



Drawing Number: JIGTW-IN-AY	Code: JIGTW	Issue:						
Drawn By: AK	Date: 09/02/09	Issue Date:						
Sheet: 1 OF 2	3rd Angle Projection 	Sign:						



**NOTE: FOR BARKPIT INSTALL 300MM DEEPER**



Drawing Number: JIGTW-IN-AY	Code: JIGTW	Issue:						
Drawn By: AK	Date: 09/02/09	Issue Date:						
Sheet: 2 OF 2	3rd Angle Projection		Sign:					