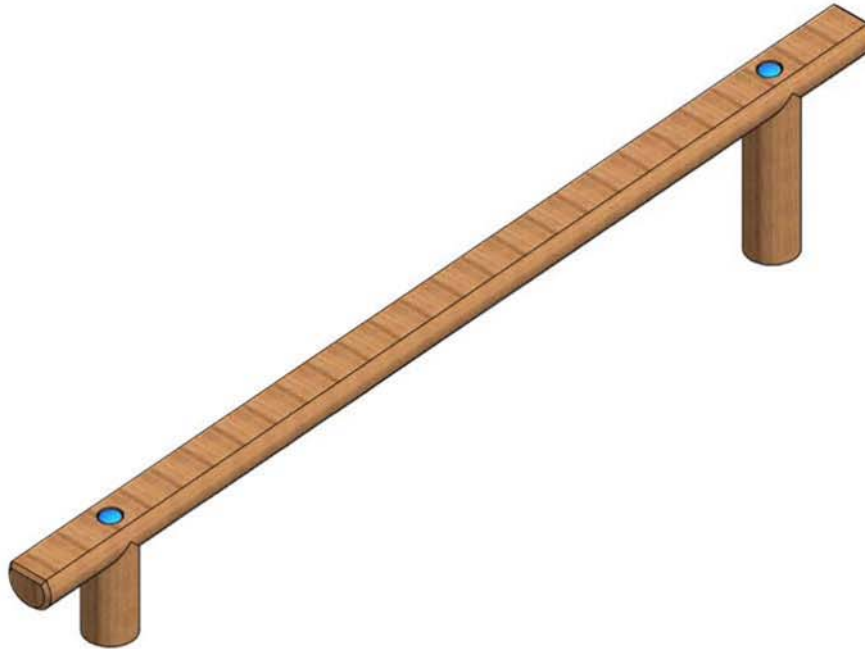


WE NOT ONLY RECOMMEND THAT CHILDREN ARE SUPERVISED AT ALL TIMES BUT ALSO ADVISE THAT SAFER SURFACING BE USED FOR ALL OUR EQUIPMENT



DIMENSIONS: L:2.4 x W:0.12 x H:0.51

#### TECHNICAL DATA

Minimum Space Required	5.4m x 3.12m
Free Height Of Fall	<0.6m
Topsoil or Turf Surfacing	OK
Safer Surfacing Area	5.4m x 3.12m
Intended Age Range	3+
Supervised Play	Recommended
Equipment Type	Outdoor Low Level
Curriculum	Balance, Agility & Co-ordination
Largest Component	2400mm x 120mm dia
Heaviest Component	17.7 kg
Overall Equipment Weight	30 kg
Special Equipment Required	None
Concrete Qty Required	0.06m3



SCALE PLAN 1:200

#### AREA OF SAFER SURFACING

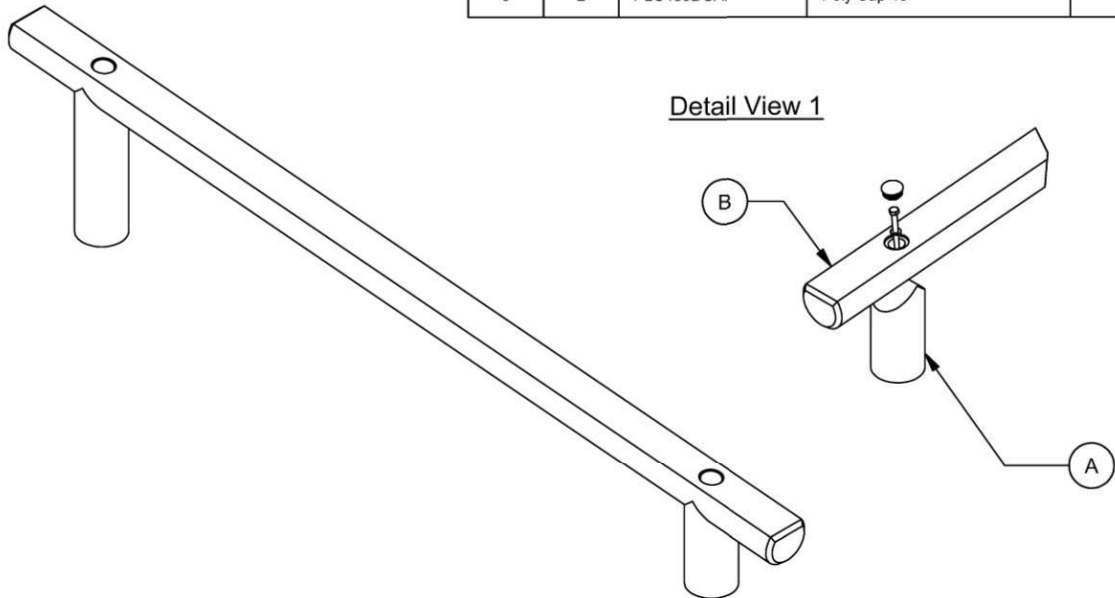
Wetpour	17 m2
Durascape	22m2
GrassSaver 22	16 Tiles
Loose Fill	16m2

**API**  
Association of Play  
Industries Registered  
Constructor

**BS EN:1176  
COMPLIANT**




Parts List				
ITEM	QTY	PART No	DESCRIPTION	IMAGE
1	1	FRLT2412_BA	2400mm x 120/125 dia	
2	1	FRLT0912_BE	900mm x 120/125dia	
3	1	FRLT0712_BF	700mm x 120/125 dia	
4	2	M12X180CHS	M12 x 180 CHS	
5	2	M12SSWASH	M12 Plain Washer Form A SS	
6	2	PLC480DCAP	Poly Cap 48	

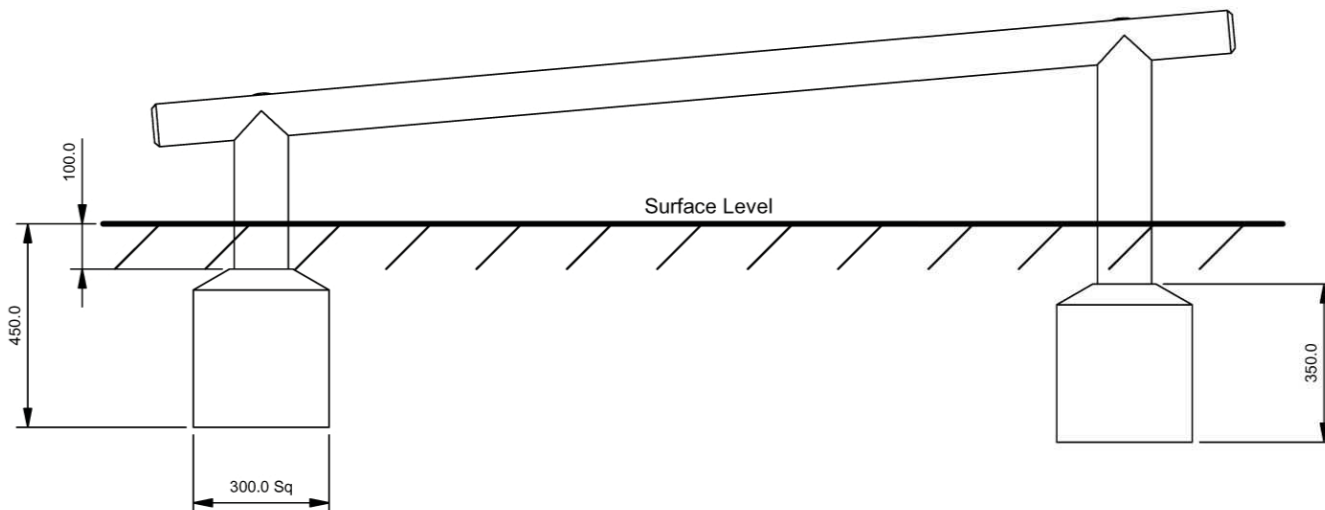
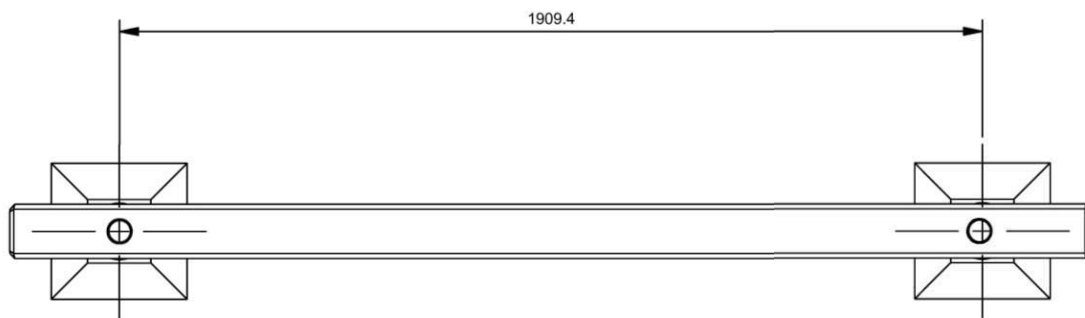



Installation Procedure

1. Excavate foundation as shown on sheet 2.
2. Take the two scalloped posts item "A" and drill 8mm pilot holes in the centre of the scallop and attach the top beam item "B" to the scalloped posts as shown.
3. Position the assembly into the foundation holes, check the unit is level and the posts are plumb. Add concrete around posts. The top of the concrete should be 100mm below the finished surface level and should slope away from the posts as shown. See drawing sheet 2.
4. Leave the concrete to set for 48 Hours.
5. If Stepping Butting or Overlapping any other equipment, ensure there is a gap of less than 8mm or greater than 30mm. It may be necessary to cut the beams to achieve this. (Re-treat cuts with appropriate non CCA preservative)
6. Sand any rough edges or Surfaces and treat with preservative if necessary.
7. Check and tighten all fixings and install protective caps once checked.
8. Carry out post installation inspection as per enclosed schedule sheet "PIN1"
9. This unit must be maintained in accordance with our inspection and maintenance schedule and BS1176 part 7.



Drawing Number: <b>IBB24-IN-AY</b>				
<u>TOLERANCES</u> General ± 1.0 Hole Diameters ± 0.5 Fixing Centres ± 0.5 Angles ± 0.5	Material: <b>See Drg</b>			
	Finish: <b>Clean</b>	New	09/02/09	A
3rd Angle Projection 	Drawn By: <b>AK</b>	CN	Date	Issue
	Scale: <b>NTS</b>	Sheet: <b>1</b>	of: <b>2</b>	



Drawing Number: <b>IBB24-IN-AY</b>				
<b>TOLERANCES</b> General ± 1.0 Hole Diameters ± 0.5 Fixing Centres ± 0.5 Angles ± 0.5	Material: <b>See Drg</b>			
	Finish: <b>Clean</b>	New	09/09/09	A
3rd Angle Projection 	Drawn By: <b>AK</b>	CN	Date	Issue
	Scale: <b>NTS</b>	Sheet: <b>2</b>	of: <b>2</b>	