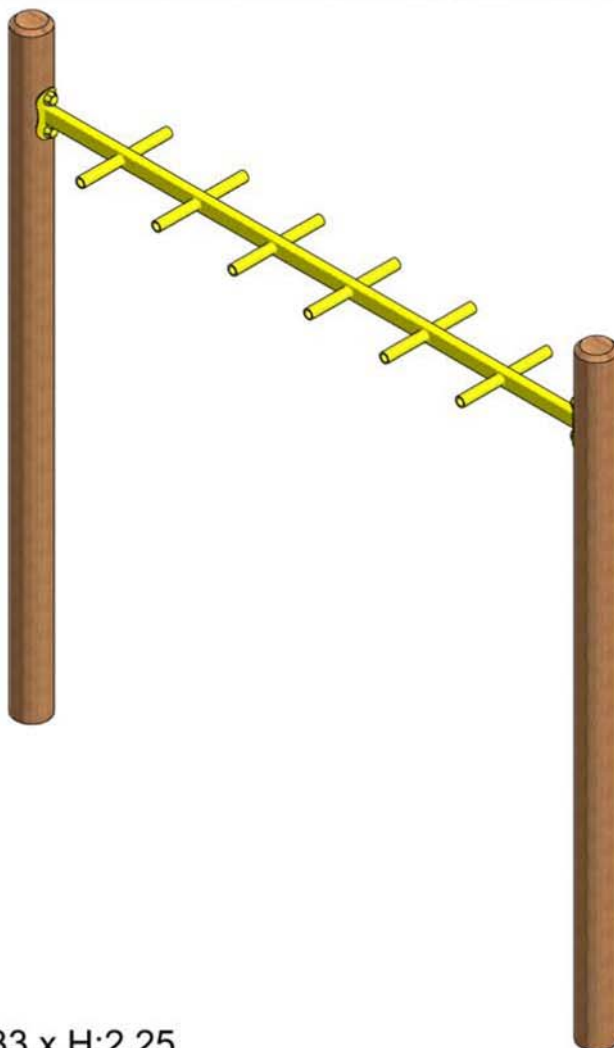


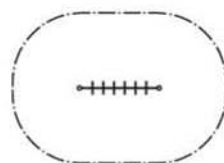
WE NOT ONLY RECOMMEND THAT CHILDREN ARE SUPERVISED AT ALL TIMES BUT ALSO ADVISE THAT SAFER SURFACING BE USED FOR ALL OUR EQUIPMENT



DIMENSIONS: L:2.24 x W:0.33 x H:2.25

TECHNICAL DATA

Minimum Space Required	5.66m x 3.99m
Free Height Of Fall	2.0m
Topsoil or Turf Surfacing	OK
Safer Surfacing Area	5.66m x 3.99m
Intended Age Range	5+
Supervised Play	Recommended
Equipment Type	Outdoor High Level
Curriculum	Agility & Co-ordination
Largest Component	3000mm x 120mm dia
Heaviest Component	20.4 kg
Overall Equipment Weight	57 kg
Special Equipment Required	None
Concrete Qty Required	0.21m3



SCALE PLAN 1:200

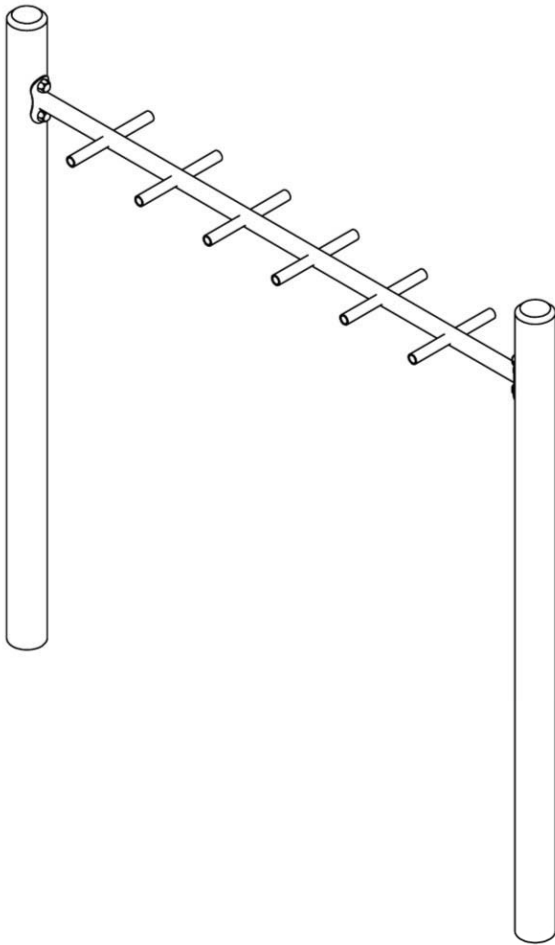
AREA OF SAFER SURFACING

Wetpour	22m2
Durascape	29.3m2
GrassSaver 22	16 Tiles
Loose Fill	16m2

API
Association of Play
Industries Registered
Constructor

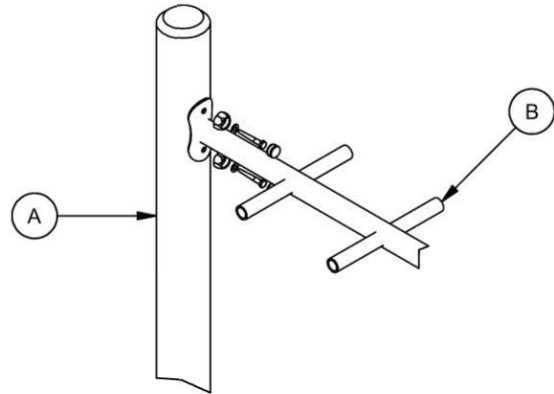
**BS EN:1176
COMPLIANT**





Parts List				
ITEM	QTY	PART No	DESCRIPTION	IMAGE
1	2	FRLT3012_BQ	3000mm x 120/125 dia	
2	1	FRMT00443	Monkey Bars Steelwork	
3	4	M10X70CS	M10 x 70 Coach Screw	
4	4	M10SWASH	M10 Plain Washer	
5	4	M10DONUT	M10 Donut	

Detail View 1

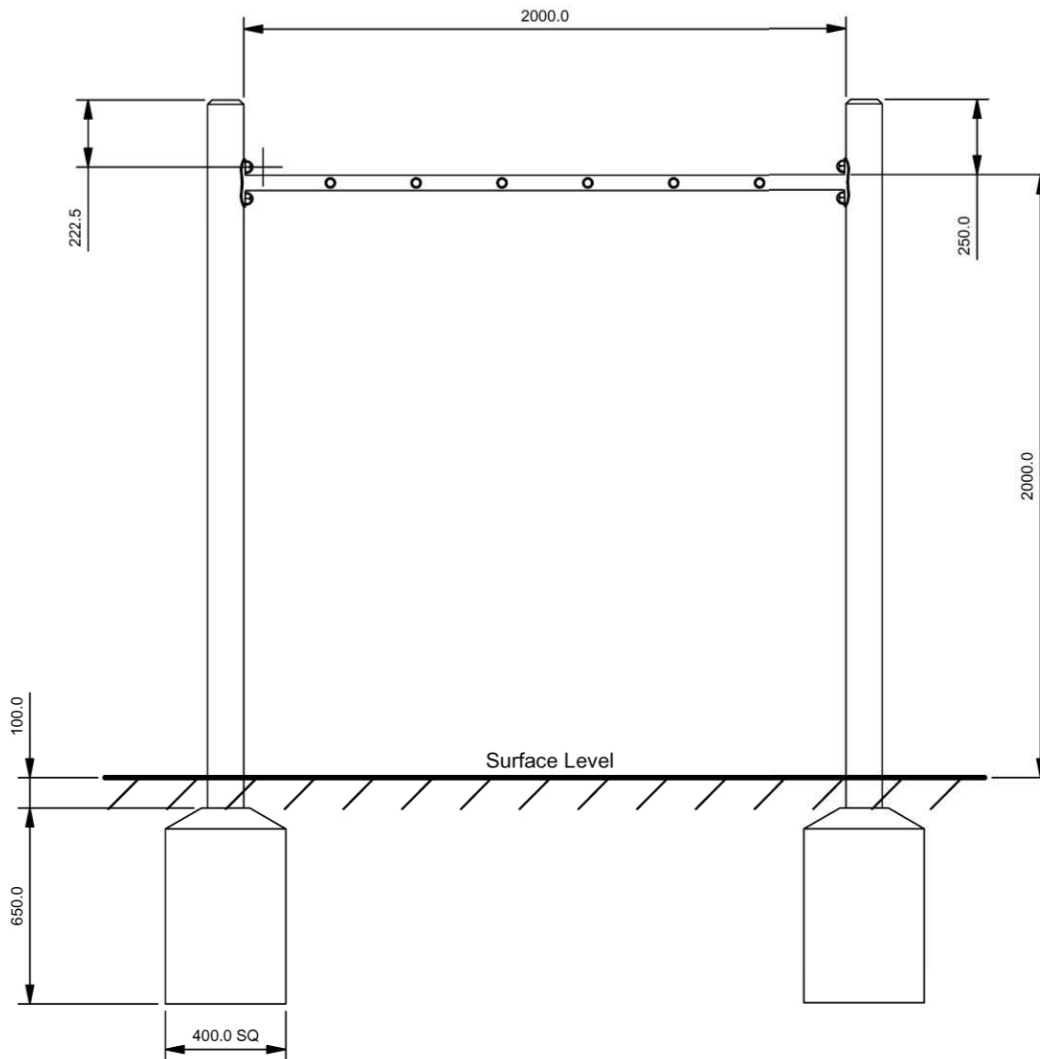
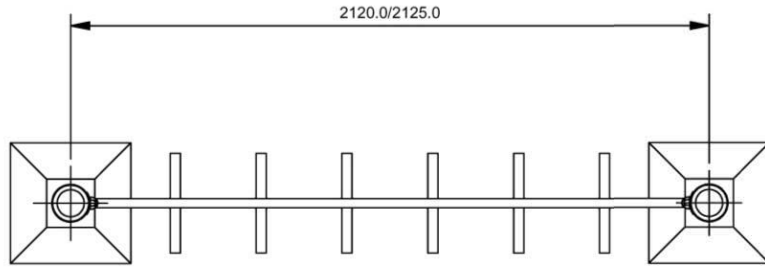



Installation Procedure

1. Excavate foundation holes as shown on sheet 2. When installing into loose surfaces such as sand install the unit 100mm lower into the ground to allow for surfacing loss over time.
2. Attach the monkey bars steelwork "item B" to vertical timber posts "item A" as shown in detail view, drill 6mm pilot holes prior to fixing for Coach Screws.
3. Position assembly into the foundation holes. Check the unit is level and the posts are plumb and square.
4. Add concrete around posts, the top of the concrete should be 100mm below the finished surface level and should slope away from posts as shown. See drawing sheet 2.
5. Leave the concrete to set for 48 Hours.
6. Sand any rough edges or Surfaces and treat with preservative if necessary.
7. Check and tighten all fixings and install protective caps once checked.
8. This unit must be maintained in accordance with our inspection and maintenance schedule and BS1176 part 7.:



Drawing Number: HMB09-IN-AY				
<u>TOLERANCES</u> General ± 1.0 Hole Diameters ± 0.5 Fixing Centres ± 0.5 Angles ± 0.5	Material: See Drg			
	Finish: Clean	New	09/02/09	A
3rd Angle Projection	Drawn By: AK	CN	Date	Issue
Scale: NTS		Sheet: 1	of: 2	



Drawing Number: HMB09-IN-AY				
TOLERANCES General ± 1.0 Hole Diameters ± 0.5 Fixing Centres ± 0.5 Angles ± 0.5	Material: See Drg			
	Finish: Clean	New	09/09/09	A
3rd Angle Projection 	Drawn By: AK	CN	Date	Issue
	Scale: NTS	Sheet: 2	of: 2	