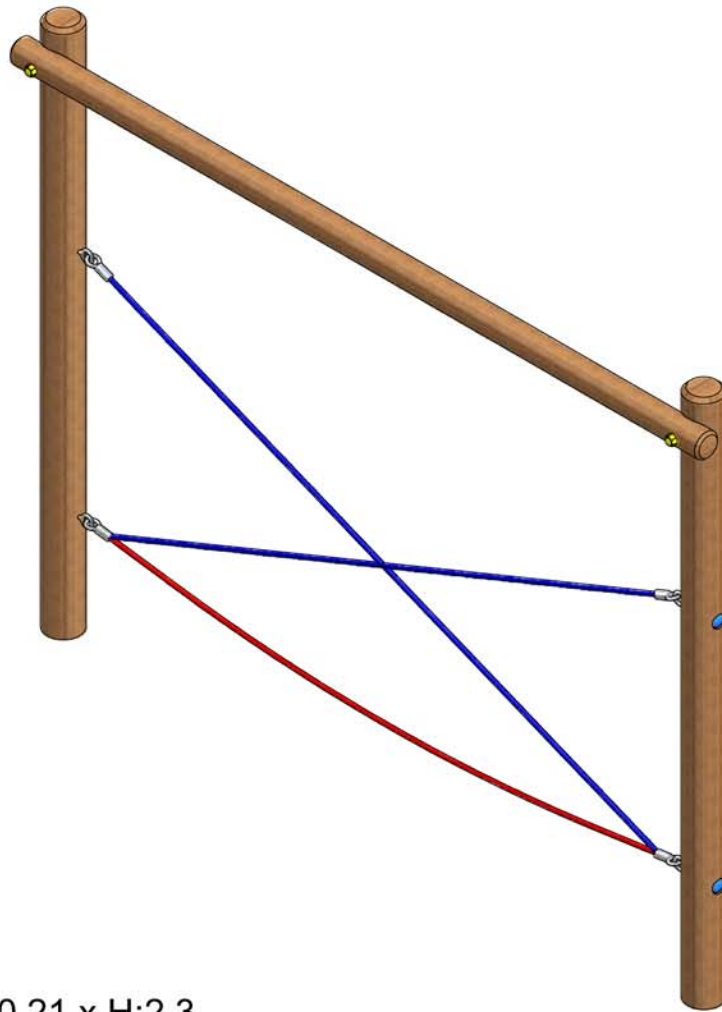


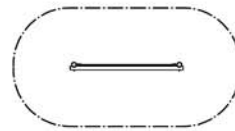
WE NOT ONLY RECOMMEND THAT CHILDREN ARE SUPERVISED AT ALL TIMES BUT ALSO ADVISE THAT SAFER SURFACING BE USED FOR ALL OUR EQUIPMENT



DIMENSIONS: L:3.0 x W:0.21 x H:2.3

TECHNICAL DATA

Minimum Space Required	6.0m x 3.15m
Free Height Of Fall	<0.6m
Topsoil or Turf Surfacing	OK
Safer Surfacing Area	6.0m x 3.15m
Intended Age Range	3+
Supervised Play	Recommended
Equipment Type	Outdoor Low Level
Curriculum	Balance, Agility & Co-ordination
Largest Component	3000mm x 100mm dia
Heaviest Component	21.2 kg
Overall Equipment Weight	60 kg
Special Equipment Required	None
Concrete Qty Required	0.2m3



SCALE PLAN 1:200

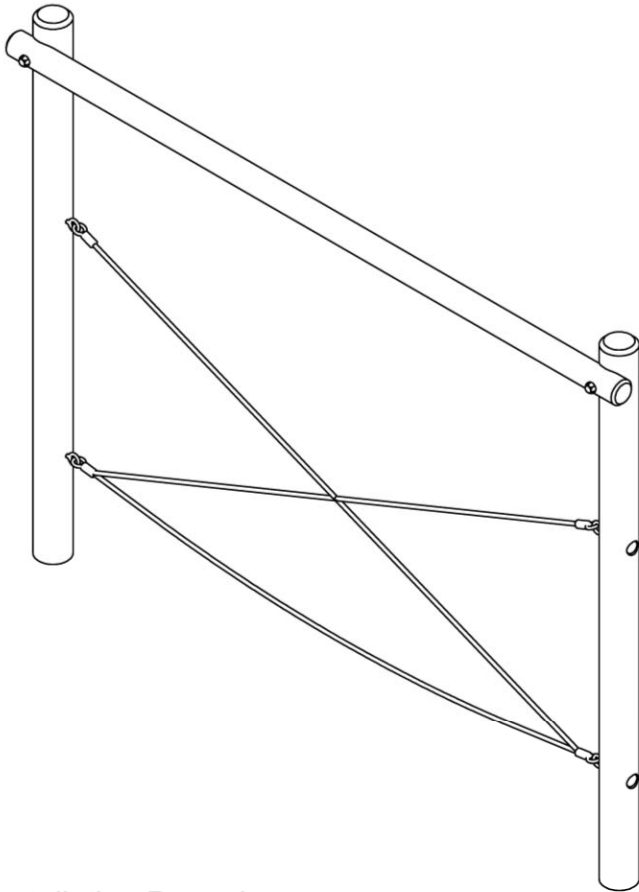
AREA OF SAFER SURFACING


Wetpour	19m2
Durascape	24.8m2
GrassSaver 22	16 Tiles
Loose Fill	19m2

API
Association of Play
Industries Registered
Constructor

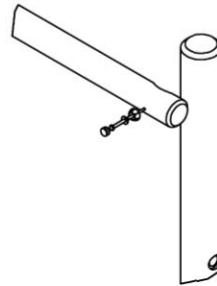
**BS EN:1176
COMPLIANT**



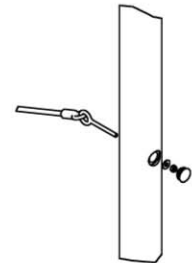


Parts List				
ITEM	QTY	PART No	DESCRIPTION	IMAGE
1	2	FRLT3014_AG	3000mm x 140/150 dia	
2	1	FRLT3010_AH	3000mm x 100 dia	
3	1	FRMS00483	Crossed Rope Walk Rope Set	
4	2	M10X150CS	M10 x 150 Coach Screw	
5	2	M10WASH	M10 HD Large Plain Washer	
6	4	M12WASH	1/2" x 1 1/4" 12G Washer	
7	4	M12NYLOC	M12 Nyloc Nut	
8	2	M10DONUT	M10 Donut	
9	4	PLC480DCAP	Poly Cap 48	

Detail View 1




Detail View 2

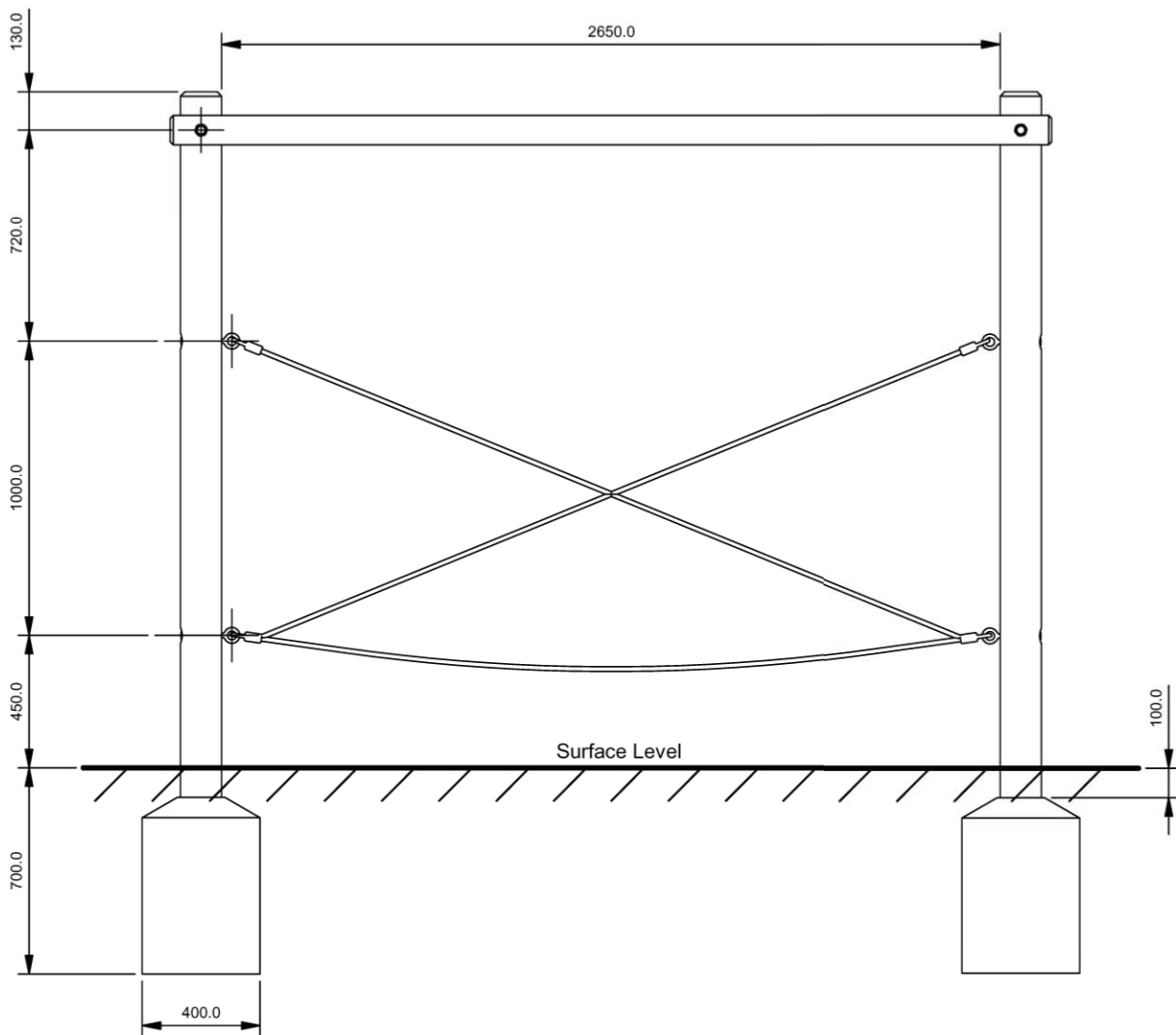
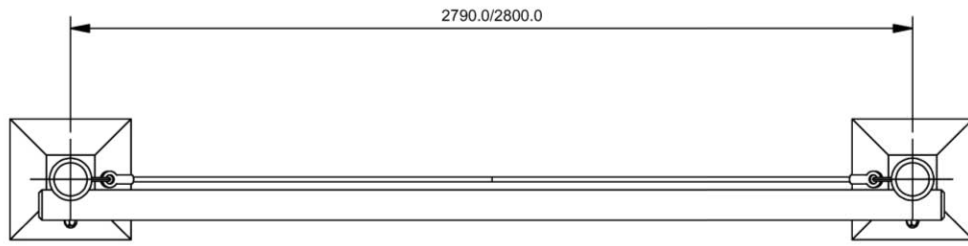



Installation Procedure.

1. Excavate foundation holes as shown on sheet 2. When installing into loose surfaces such as sand install the unit 100mm lower into the ground to allow for surfacing loss over time.
2. Attach Timber Cross Beam to Vertical posts using Coach bolts as shown in detail view 1(ensure counterbore holes face outwards on the vertical posts before assembly)
3. Position the assembly into the foundation holes check the unit is level and the posts are plumb. (The assembly is heavy and care should be taken when lifting into place.)
4. Attach the Ropes to the frame as shown in detail view 2.
5. Add concrete around posts, the top of the concrete should be 100mm below the finished surface level and should slope away from posts as shown. See drawing sheet 2.
6. Leave the concrete to set for 48 Hours. If the equipment is likely to be used during this time remove the ropes from the posts and re attach the following day.
7. Sand any rough edges or Surfaces and treat with preservative if necessary.
8. Check and tighten all fixings and install protective caps once checked
9. This unit must be maintained in accordance with our inspection and maintenance schedule and BS1176 part 7.



Drawing Number: CRW09-IN-AY				
TOLERANCES General ± 1.0 Hole Diameters ± 0.5 Fixing Centres ± 0.5 Angles ± 0.5	Material: See Drg			
	Finish: Clean	New	09/02/09	A
3rd Angle Projection 	Drawn By: AK	Scale: NTS	Sheet: 1	of: 2
Woodcot Court, 2A Woodcot Gardens, Farnborough, Hampshire GU14 9RD Tel: 01252 515199 Fax: 01252 515858 http://www.fawns.co.uk Email:fawns@fawns.co.uk No part of this document may be copied or used without the express written permission of FAWNS RECREATIONAL SERVICES LTD (c) FRS 2009				



Drawing Number: CRW09-IN-AY				
TOLERANCES General ± 1.0 Hole Diameters ± 0.5 Fixing Centres ± 0.5 Angles ± 0.5	Material: See Drg			
	Finish: Clean	New	09/09/09	A
3rd Angle Projection 	Drawn By: AK	CN	Date	Issue
	Scale: NTS	Sheet: 2	of: 2	