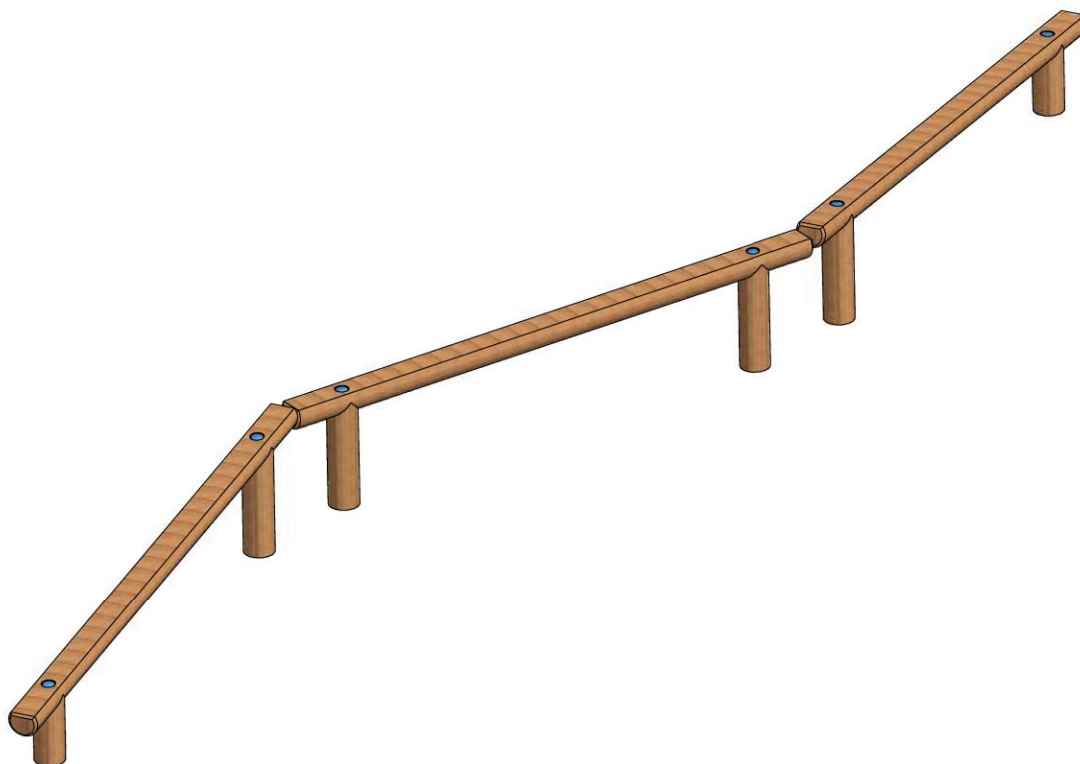


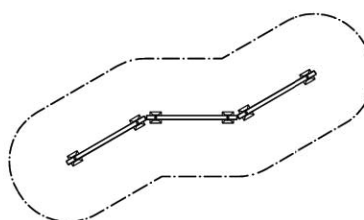
WE NOT ONLY RECOMMEND THAT CHILDREN ARE SUPERVISED AT ALL TIMES BUT ALSO ADVISE THAT SAFER SURFACING BE USED FOR ALL OUR EQUIPMENT



DIMENSIONS: L:6.7 x W:2.5 x H:0.49

TECHNICAL DATA

Minimum Space Required	9.7m x 5.6m
Free Height Of Fall	<0.6m
Topsoil or Turf Surfacing	OK
Safer Surfacing Area	9.7m x 5.6m
Intended Age Range	3+
Supervised Play	Recommended
Equipment Type	Outdoor Low Level
Curriculum	Balance, Agility & Co-ordination
Largest Component	2400mm x 120mm dia
Heaviest Component	16.3 kg
Overall Equipment Weight	83 kg
Special Equipment Required	None
Concrete Qty Required	0.2m3



SCALE PLAN 1:200

AREA OF SAFER SURFACING

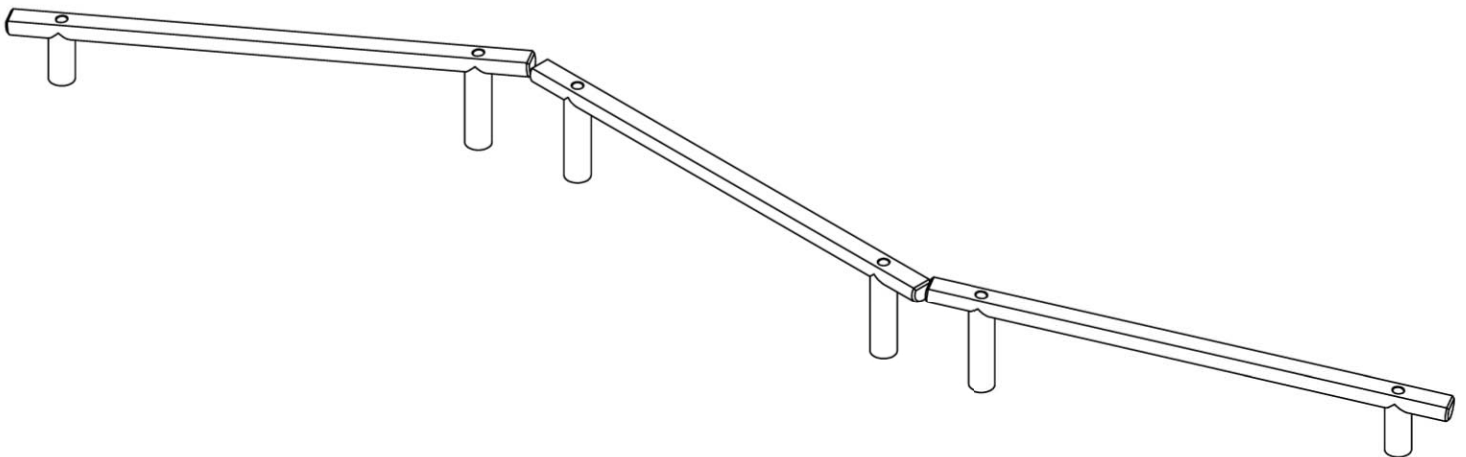
Wetpour	34m2
Durascape	47m2
GrassSaver 22	31 Tiles
Loose Fill	34m2



BS EN:1176  
COMPLIANT




Parts List				
ITEM	QTY	PART No	DESCRIPTION	IMAGE
1	3	FRLT2412_BA	2400mm x 120/125 dia	
2	2	FRLT0912_BD	900mm x 120/125 dia	
3	2	FRLT0912_BE	900mm x 120/125dia	
4	2	FRLT0712_BF	700mm x 120/125 dia	
5	6	M12X180CHS	M12 x 180 CHS	
6	6	M12SSWASH	M12 Plain Washer Form A SS	
7	6	PLC480DCAP	Poly Cap 48	

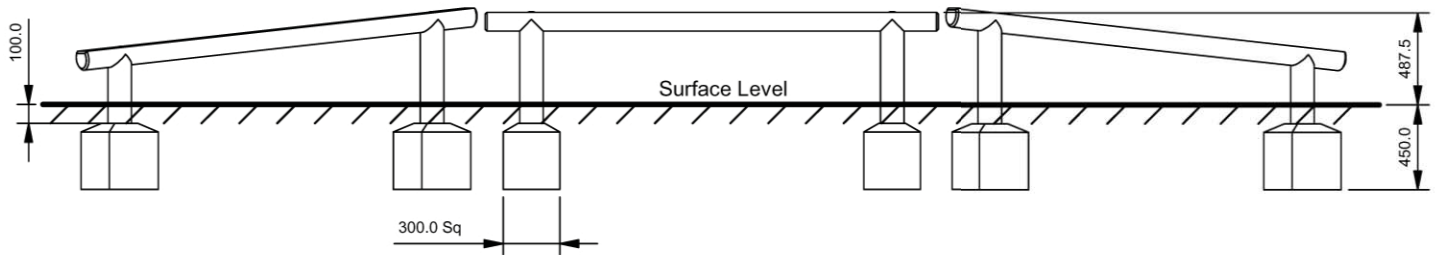
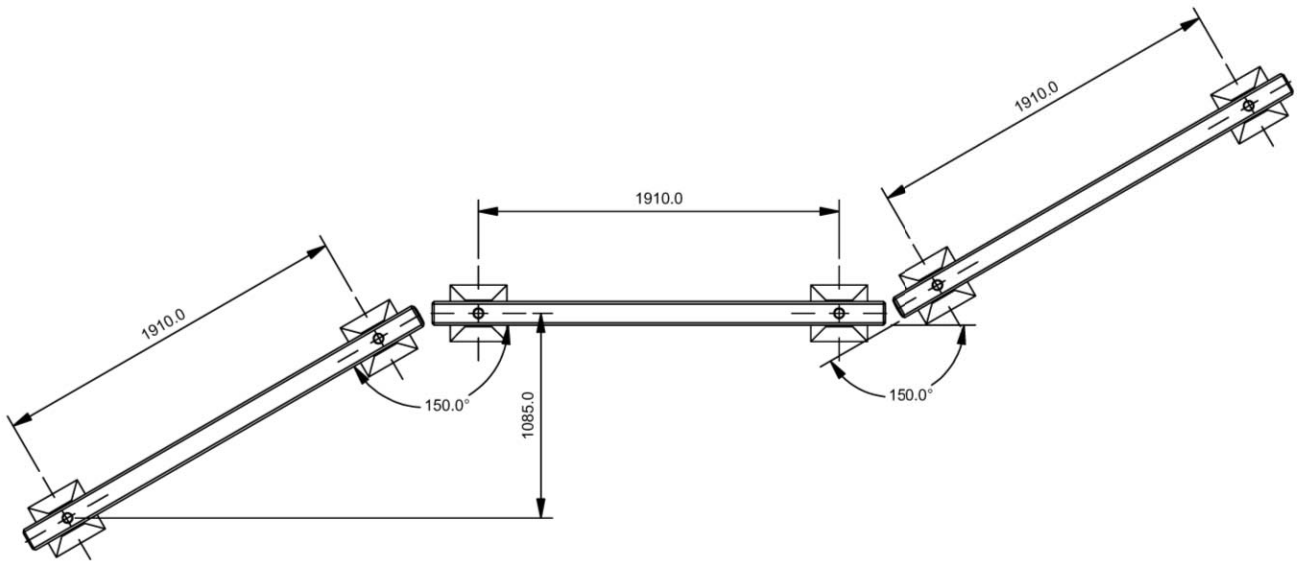



Installation Procedure

1. Excavate foundation holes as shown on sheet 2. When installing into loose surfaces such as sand, install the unit 100mm lower into the ground to allow for surfacing loss over time.
2. Attach the assemblies as per BBM-IN-AY and IBB24-IN-AY. Ensure all timber is drilled with a 8mm pilot hole to minimise timber splitting
3. Position the assemblies into the foundation holes, check the unit is level and the posts are plumb. Add concrete around posts. The top of the concrete should be 100mm below the finished surface level, see sheet 2.
4. Leave the concrete to set for 48 hours.
5. If stepping, butting, or overlapping any other equipment ensure there is a gap of less than 8mm or greater than 30mm. It may be necessary to cut the beams to achieve this. (Re-treat cuts with appropriate non CCA preservative)
6. Sand and rough edges or surfaces and treat with preservative if necessary.
7. Check and tighten all fixings and install protective caps once checked.
8. This unit must be maintained in accordance with our inspection and maintenance schedule and BS1176 part 7.



Drawing Number: <b>BRN03-IN-AY</b>				
<b>TOLERANCES</b> General ± 1.0 Hole Diameters ± 0.5 Fixing Centres ± 0.5 Angles ± 0.5	Material: <b>See Drg</b>			
	Finish: <b>Clean</b>	New	09/02/09	A
3rd Angle Projection 	Drawn By: <b>AK</b>	Scale: <b>NTS</b>	Sheet: <b>1</b>	of: <b>2</b>
Woodcot Court, 2A Woodcot Gardens, Farnborough, Hampshire GU14 9RD Tel: 01252 515199 Fax: 01252 515858 http://www.fawns.co.uk Email:fawns@fawns.co.uk No part of this document may be copied or used without the express written permission of FAWNS RECREATIONAL SERVICES LTD (c) FRS 2009				



Drawing Number: <b>BRN03-IN-AY</b>				
<b>TOLERANCES</b> General $\pm 1.0$ Hole Diameters $\pm 0.5$ Fixing Centres $\pm 0.5$ Angles $\pm 0.5$	Material: <b>See Drg</b>			
	Finish: <b>Clean</b>	New	09/02/09	A
3rd Angle Projection 	Drawn By: <b>AK</b>	CN	Date	Issue
	Scale: <b>NTS</b>	Sheet: <b>2</b>	of: <b>2</b>	