

TRAIL

ARCH ROPE CROSSING

PROD. CODE	ARC09
SIZE	L: 3.00M X W:0.14 X H:2.42
FFH	1.0M
AGE RANGE	3 YEARS+

TECHNICAL DATA

MINIMUM SPACE REQUIRED	6.1M X 3.2M
SUPERVISED PLAY	RECOMMENDED
EQUIPMENT TYPE	LOW LEVEL
LARGEST PART	3M X 0.140M DIA (TIMBER POSTS)
HEAVIEST PART	27KG (TIMBER POSTS)

INSTALLATION DETAILS

1. READ INSTALLATION INSTRUCTIONS THOROUGHLY BEFORE COMMENCING INSTALLATION OF UNIT
2. EXCAVATE FOUNDATIONS USING THE DETAIL AS SHOWN ON PAGE 2 OF THIS DOCUMENT
3. ENSURE TO CHECK AND TIGHTEN ALL FIXINGS USING PROTECTIVE CAPS WHERE NECESSARY
4. BACKFILL FOUNDATIONS WITH 0.08 CUBIC M CONCRETE ALLOWING TO SET FOR 48 HOURS
5. REMOVE ALL ASSEMBLY AIDS BEFORE THE EQUIPMENT IS USED

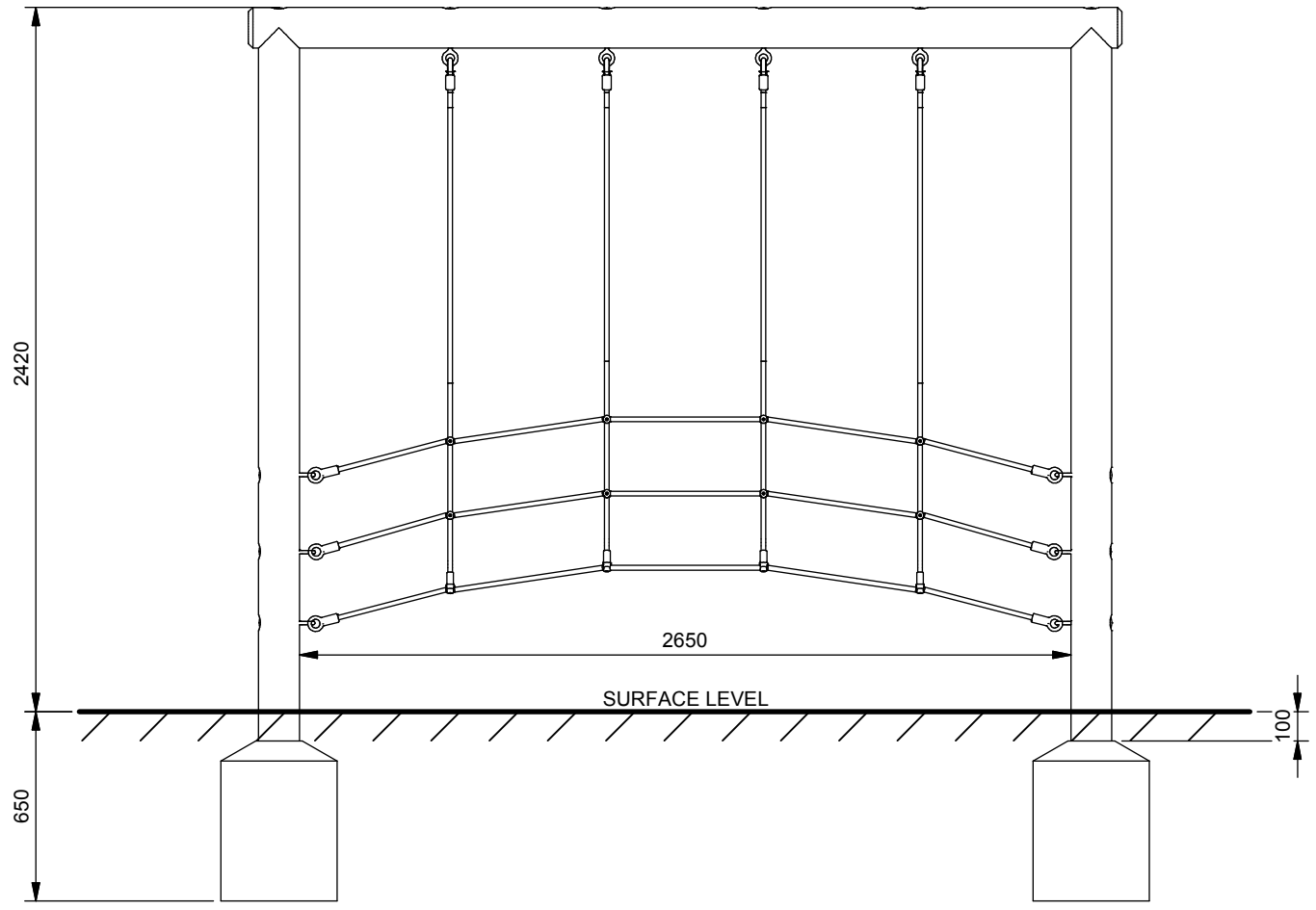
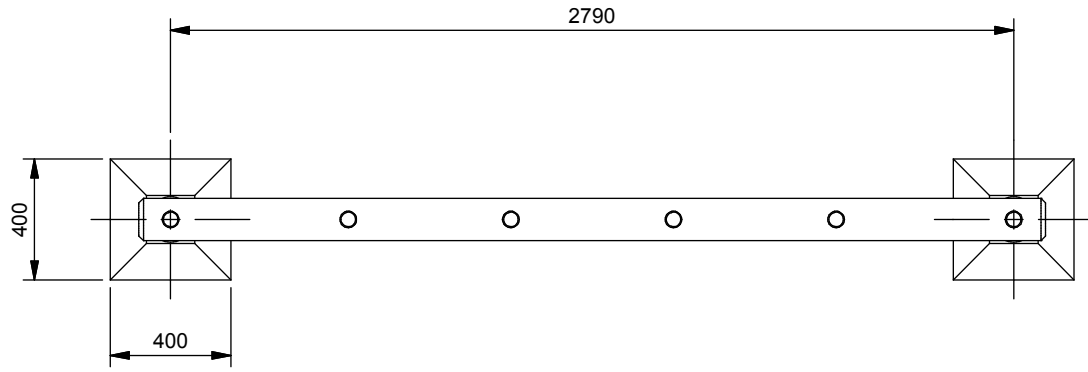
THIS PRODUCT CONFORMS WITH BS EN1176- 1 :2008



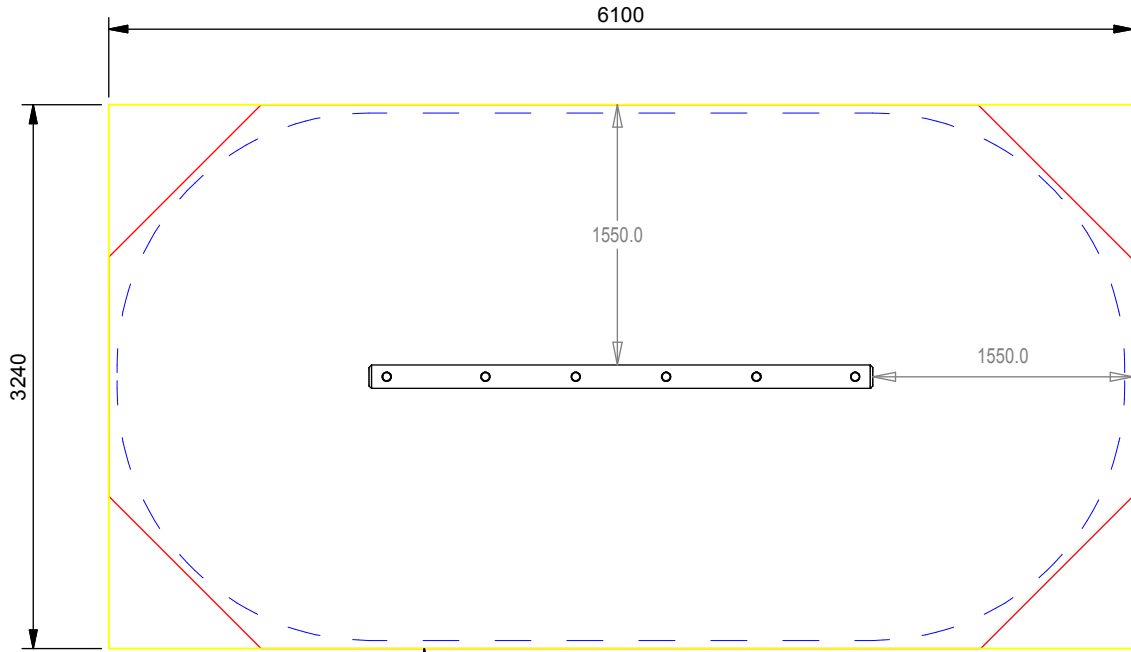
Woodcot Court, 2A Woodcot Gardens, Farnborough, Hampshire GU14 9RD Tel: 01252 515199 Fax: 01252 515858
<http://www.fawns.co.uk> mail:fawns@fawns.co.uk

No part of this document may be copied or used without the express written permission of FAWNS RECREATIONAL SERVICES LTD (c) FRS 2015

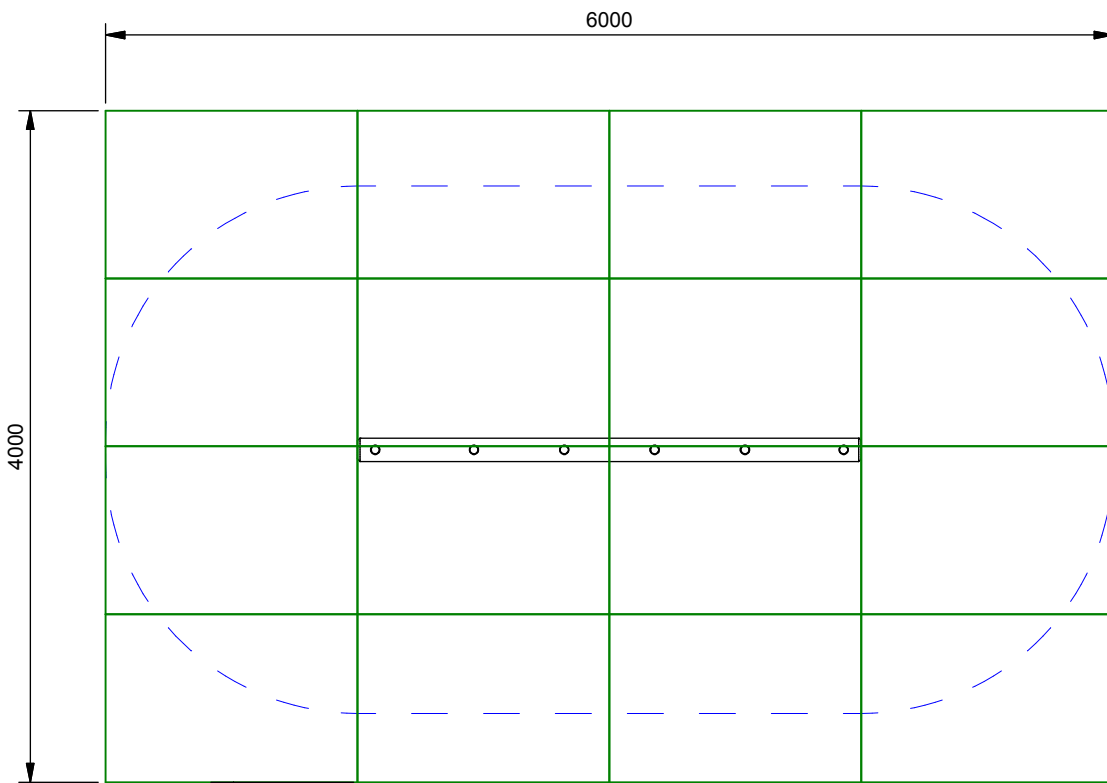
Version: A
 Date: 21/03/16 PAGE 1 OF 3



ALL FOUNDATIONS ARE 400 X 400 X 650 DEEP



18.1 SQUARE METERS WETPOUR SURFACING
 16.5 LINEAR METERS WETPOUR EDGING



16 GRASS SAVER TILES
 (1.0M X 1.5M)

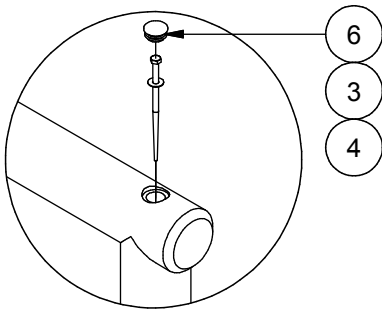
INSTALL THE TIMBER POSTS

Attach timber post 002 to the upright posts 001, using the supplied coach screws as shown in Detail A. Position the assembly into the foundation holes, and concrete in place, and leave to set for 48 Hours.

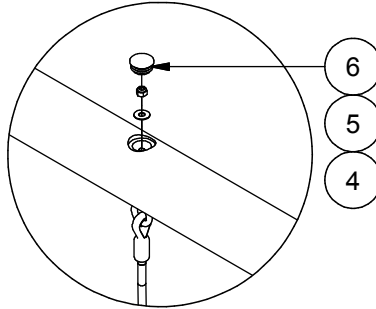
SECURE THE ROPE SET TO THE TIMBERS

With the foundations and posts set, the rope can now be secured with the appropriate tension. Using the supplied M12 Nyloc, Washer and Poly Cap, first attach the ropes to the horizontal post (002) as in Detail B. Secure both sides to each upright post (001) with the same fixings, as in Detail C.

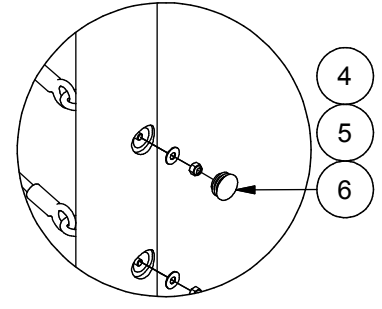
PARTS LIST			
ITEM	QTY	PART NUMBER	DESCRIPTION
1	1	FRTB01597	ARCH ROPE CROSSING TIMBER SET
2	1	FRMS01598	ARCH ROPE CROSSING ROPE SET
3	2	M12X240CS	M12 X 240 COACH SCREW
4	12	M12WASH	32MM 12G WASHER
5	10	M12NYLOC	M12 NYLOC NUT
6	12	PLC480DCAP	POLY CAP 48



DETAIL A

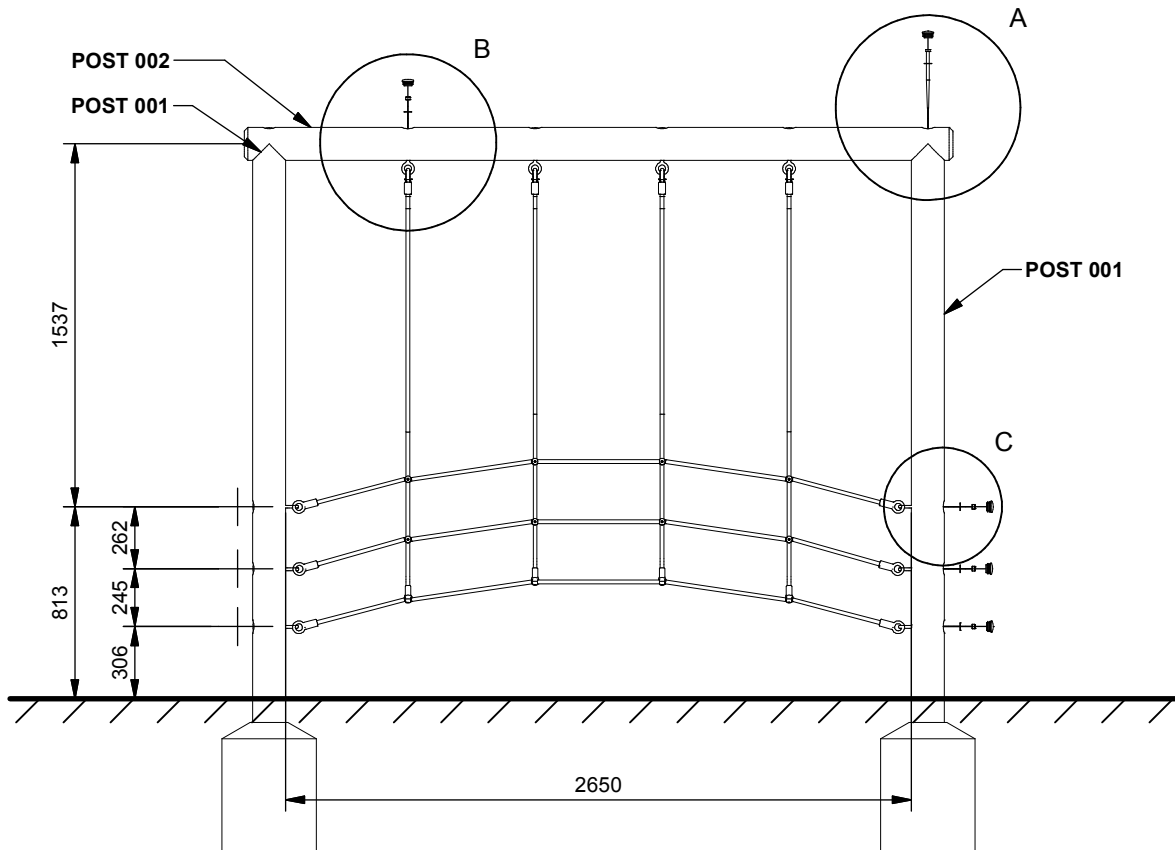


DETAIL B



DETAIL C

REFERENCE HEIGHTS AND DIMENSIONS



Drawing Number: ARC09-IN-AY	Code: ARC09	Issue:							
Drawn By: RH	Date: 21/03/16	Issue Date:							
Sheet: 1 OF 1	3rd Angle Projection	Sign:							