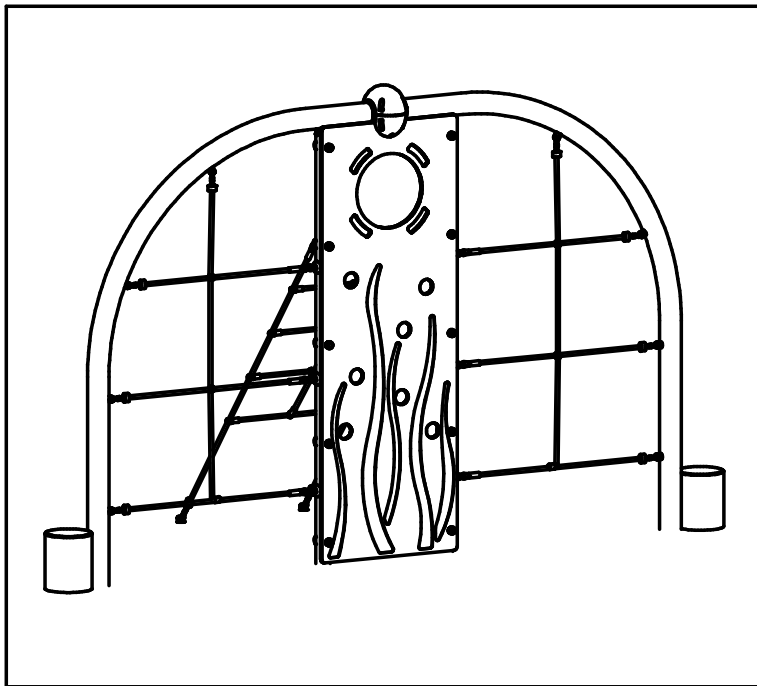


Installation Instructions



Fantasy Funrun Clamber Wall

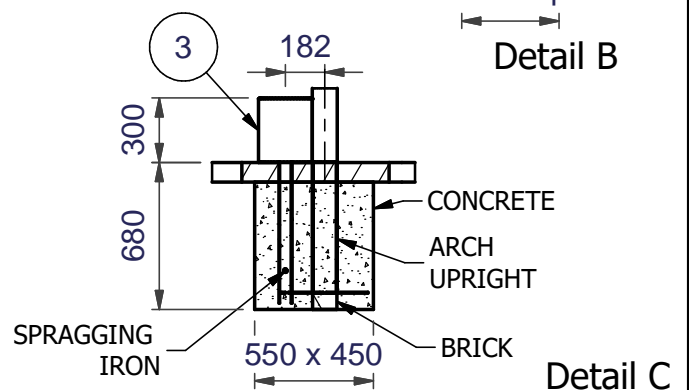
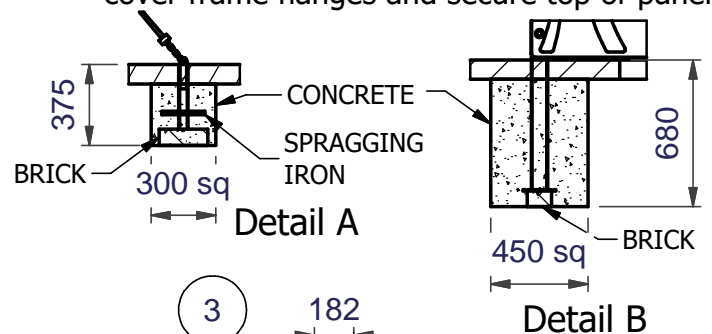
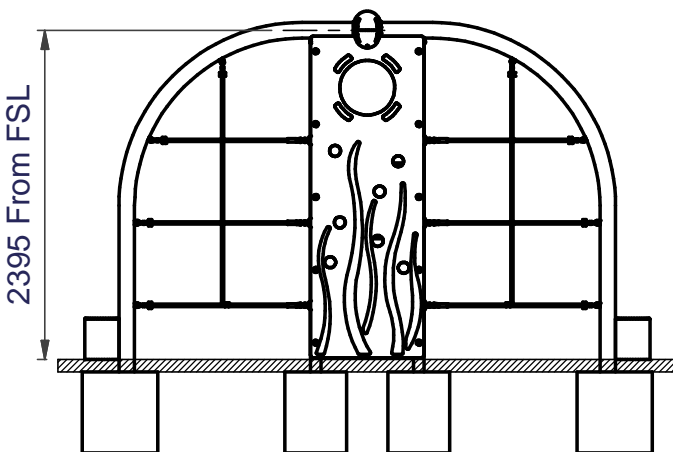
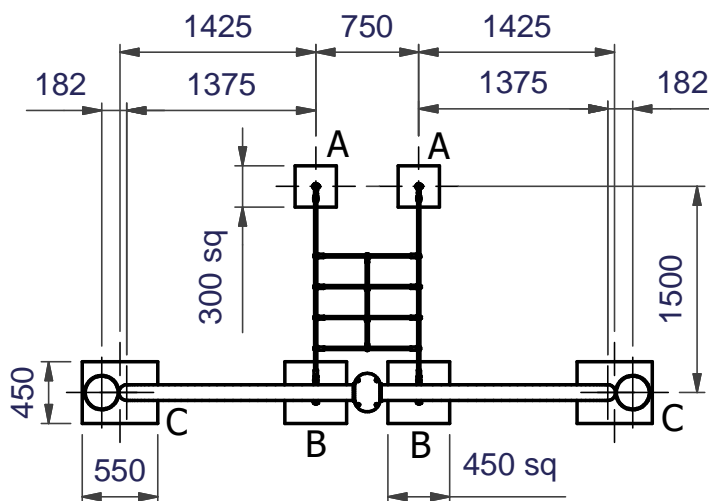
PROD. CODE	70355
SIZE	3.5 x 1.5 x 2.4
AGE RANGE	5 Years to Adult
F/ FALL HEIGHT	2400mm
HEAVIEST PART	Approx 56 Kg
TOTAL WEIGHT	Approx 267 Kg



Installation Instructions

Care must be taken in abnormal conditions

- 1 Read instructions thoroughly before commencing installation of unit.
- 2 Dig foundation holes as foundation layout
- 3 Place all uprights into holes on a brick and bolt frame together
- 4 Attach rope nets and panel to ensure all uprights are in the correct position
- 5 Remove ropes and backfill foundations with concrete (4 parts gravel/2 parts sand/ 1 part cement)
- 6 Fix rope nets to uprights and fit clamp to cover frame flanges and secure top of panel

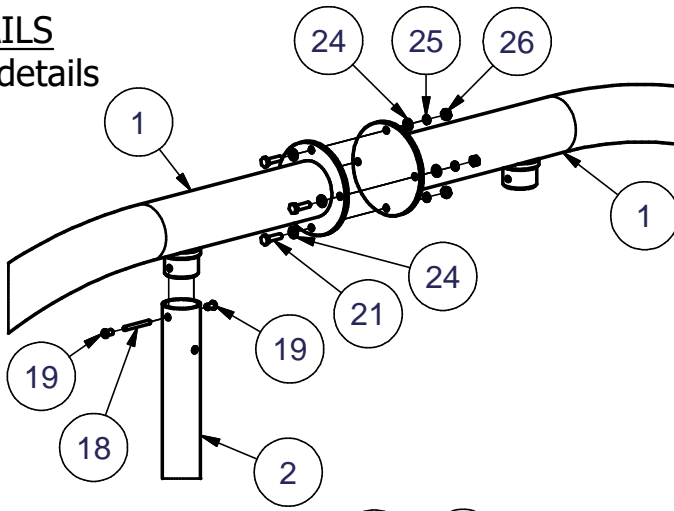


Note:- 1. Ensure all installation aids are removed before first use.

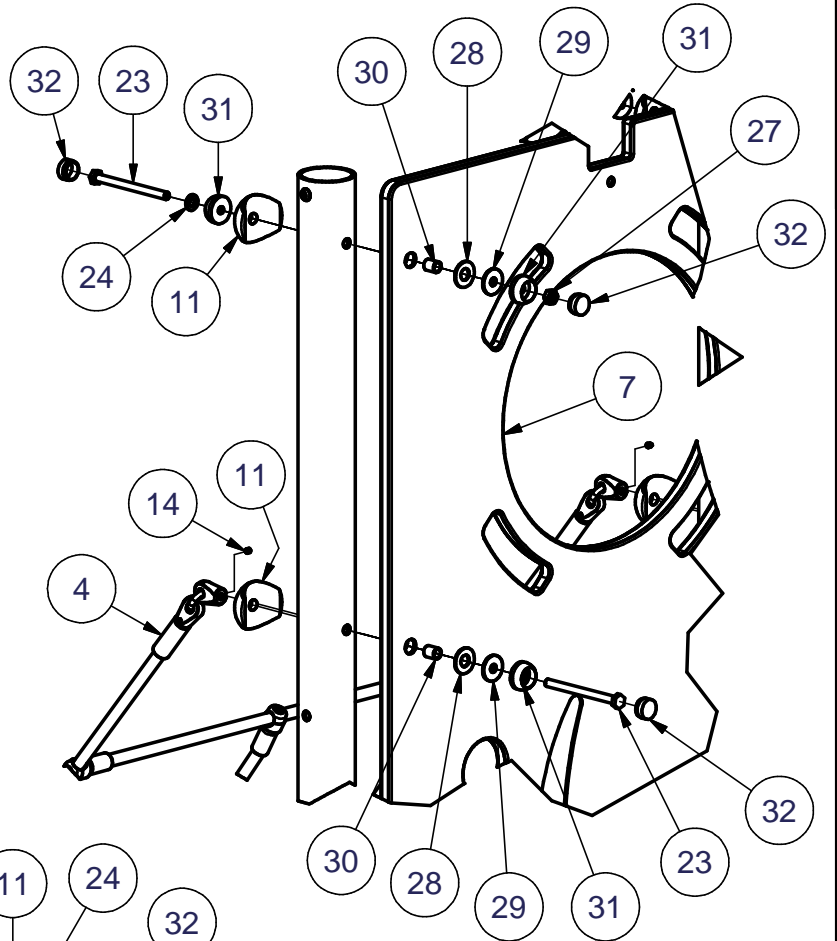
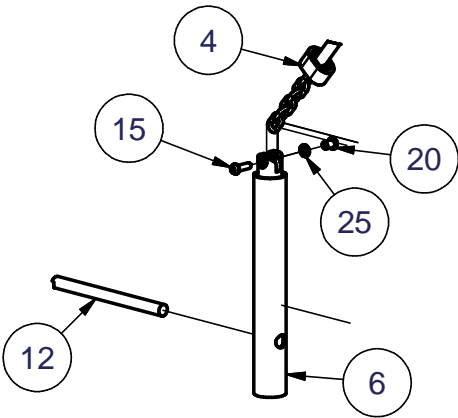
2. Lifting Equipment or sufficient manpower should be used throughout installation.

FIXING DETAILS

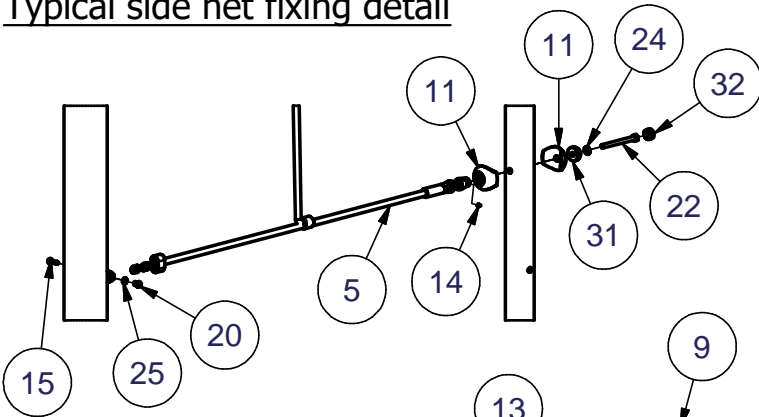
Frame fixing details



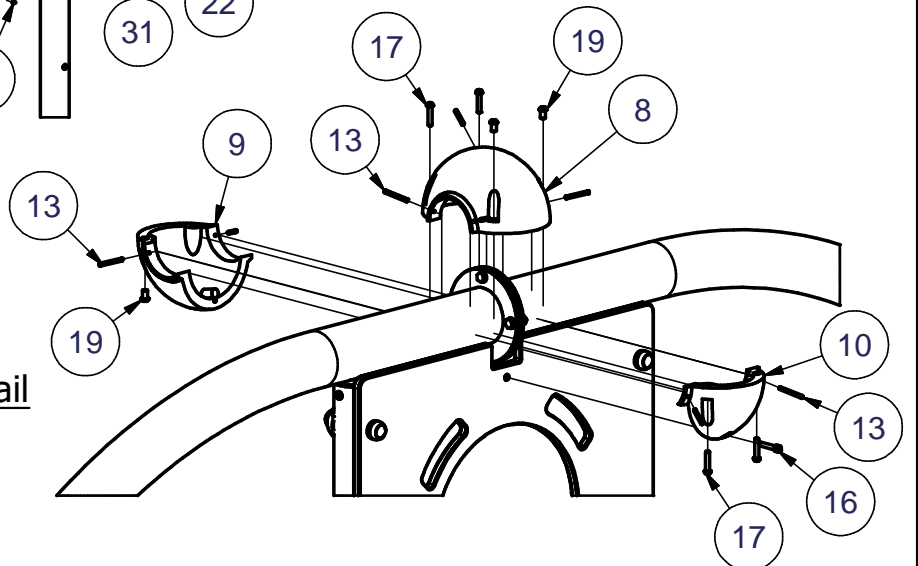
Clamber panel and rear net fixing details



Typical side net fixing detail



Clamp fixing detail



PARTS LIST			
ITEM	QTY	PART NUMBER	DESCRIPTION
1	2	4202-766	CLAMBER WALL POST ASSY
2	2	4202-767	SUPPORT POST ASSY
3	2	4201-882	Rubber Step Assembly
4	1	4141-126	Cargo Net Assembly
5	2	4141-203	SIDE ROPE ASSY
6	2	5071-040	CHAIN BGF
7	1	3755-641	Climbing Panel
8	1	3711-061	LARGE PLAIN CLAMP
9	1	4202-768	WELDED LARGE CLAMP - PART A
10	1	3730-196	LARGE CLAMP - PART B
11	22	3711-028	Aluminium Clamp
12	4	3031-010	SPRAGGING IRON
13	8	2223-026	DIA 6 x 50 LG SELLOK PIN BZP
14	8	2171-101	M6x6 Grub Screw
15	10	2176-152	M8 x 25 Pent Button Head
16	1	2171-230	M8 x 45 SKT CAP HD SCREW
17	4	2176-155	M8 x 45 Pent Btn Head (Cut Down to 40mm)
18	2	3033-119	M8 x 70mm STUDDING
19	8	2177-001	M8 Safety Fastener
20	10	2177-004	M8 Short Safety Fastener
21	4	2185-036	M10 x 40 Hex Head Bolt
22	6	2185-047	M10x120 Hex Head Bolt
23	10	2185-048	M10 x 130 Hex Head Bolt
24	24	2215-508	M10 Washer
25	14	2212-203	M10 Spring Washer
26	4	2193-006	M10 Nut
27	8	2191-010	M10 Binx Nut
28	10	2900-041	NEOPRENE WASHER
29	10	2215-519	Wicksteed Washer
30	10	2472-003	FIXING SPACER
31	24	2611-032_Cup	Blue Poeppelmann Cup
32	24	2611-032_Cap	Blue Poeppelmann Cap