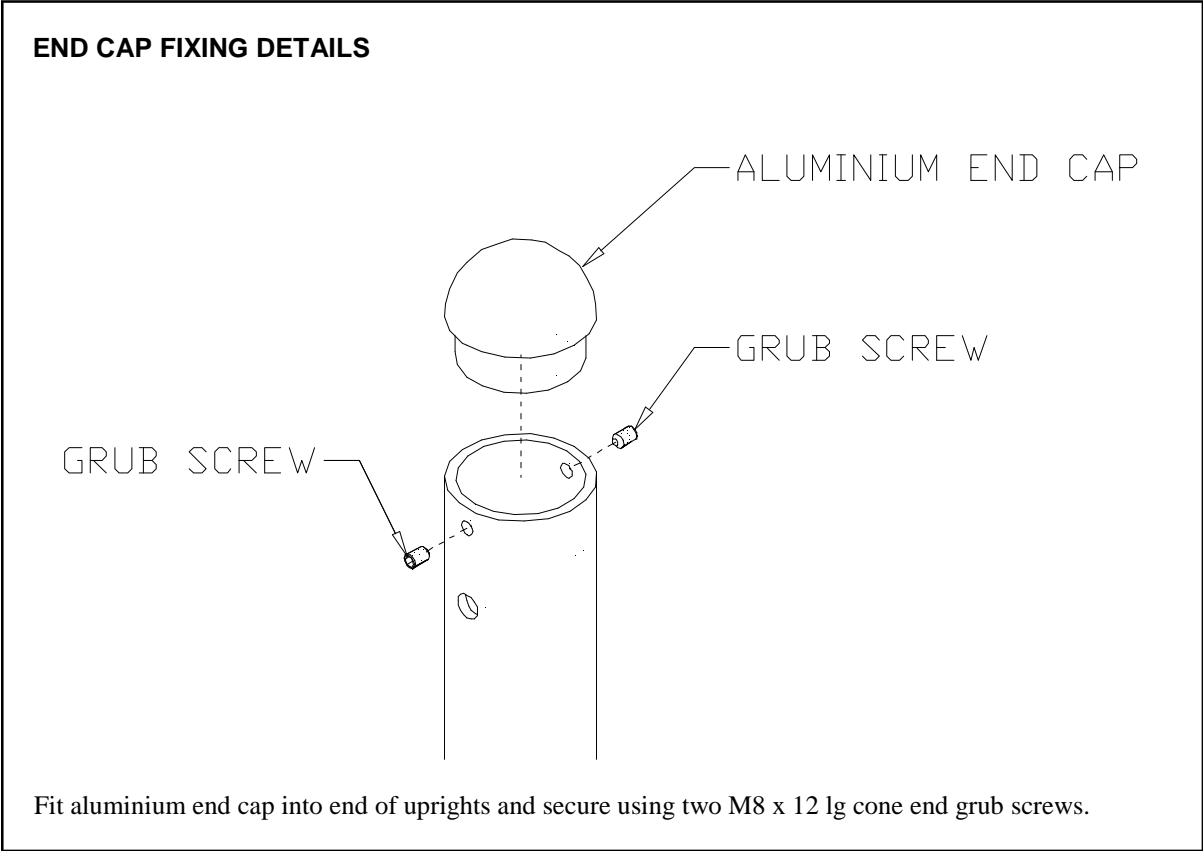
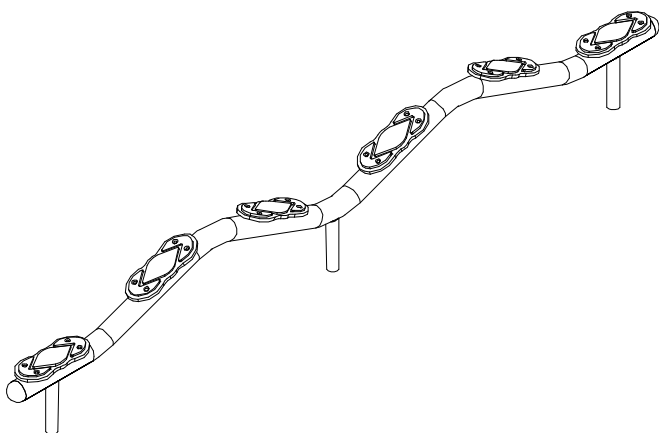


# ADDENDUM





## FANTASY FUN RUN

### Switchback Run

PROD CODE:	70352 70452 bark
SIZE:	3000 x 276 x 76
AGE RANGE:	5-16 years
OVERALL WEIGHT OF UNIT	27 KG

#### DELIVERY LIST

Part No.	Description	Qty
70332-01	Switch Back Run Assy.	1
3726-124	Foot Print	6
-	Fixings Pack	1
For Bark Fix Add:		
5071-003	Below Ground Fixing	3
3031-010	Spragging Iron	3
2175-134	M12x25 Hex Head Screw	6

#### **SPECIFICATION**

Main Tube:	Fabricated from 65 nominal bore medium gauge steel tube to BS 1387.
Leg Supports:	32 nominal bore medium gauge steel tube (BS 1387).
Foot Print:	Rubber coated High Density Polyethylene.
Finish:	Low lead polyester powder paint to BS EN71 part 3 (1995).
Welds:	Copper free wire conforming to 2901 AIB for mild steel.

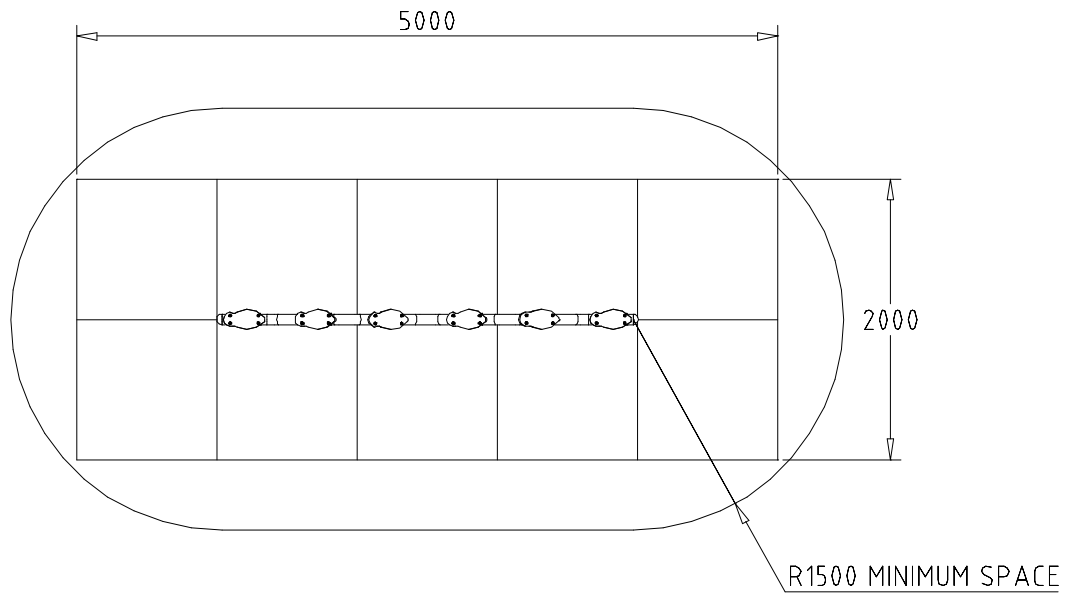
#### **INSTALLATION INSTRUCTIONS**

- 1 Read installation instructions through before commencing erection of unit.
- 2 Do NOT tighten fastenings until the unit is completely assembled.
- 3 Excavate foundations in accordance with details shown in foundation plan.
- 4 Place uprights in foundations and prop up in position.
- 5 Ensuring uprights are plumb, square and are at correct heights and centre dimensions, backfill foundations with 0.101 cubic metres of concrete.
- 6 Allow 48 hours drying time before use.

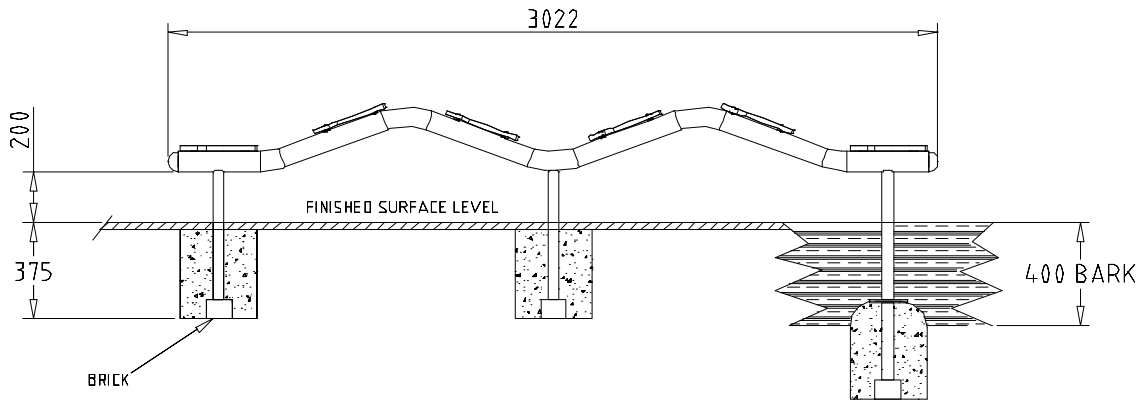
**Note:** M8 bolts to be torqued to 18 Nm (13lbft.). M10 bolts to be torqued to 34 Nm (25lbft)  
M12 bolts to be torqued to 55 Nm (40lbft). All protruding screw threads to be peened over to remove sharp edges.

Note:-Ensure all installation aids are removed before first use.

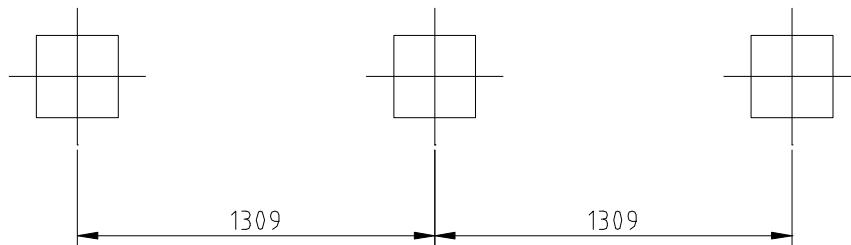
**SURFACING & MINIMUM SPACE DETAIL**



**FOUNDATION DETAIL (Ground and Bark Fixed details shown)  
(Care must be taken under abnormal conditions)**

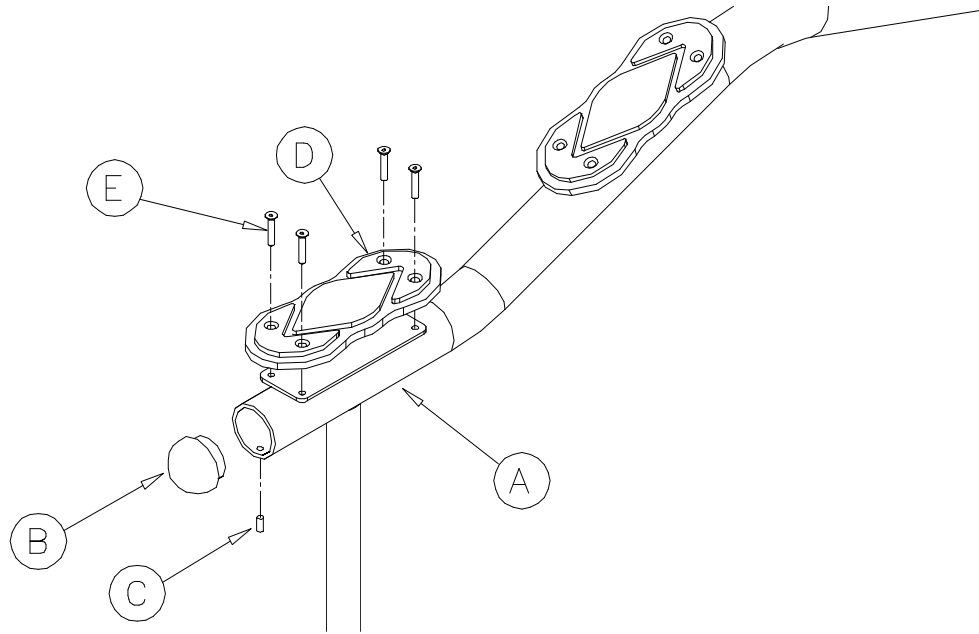


**FOUNDATION DETAIL  
300 x 300 x 375 deep**



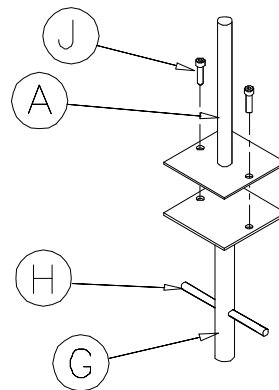
### CAP & FOOT FIXING DETAIL

1. Fit B, End Cap into tube and secure using C, M8 x 12 lg cone end grub screw.
2. Fit D, Foot Print to tube bracket using E, M8 x 20 lg Pent Button Head Screws.



### BARK FIXING DETAILS


1. Fit G, below ground fittings to base of support using J, M12 x 25 hexagon head bolts.
2. Fit H, Spragging irons in below ground fittings before placing in foundation.



Note:-All spare parts are available from Wicksteed Leisure on request.

REF	QTY	DESCRIPTION	PART No
A	1	Switch Back Run Assy.	70332-01
B	2	Cap.	3711-002
C	2	M8 x 12 Grub Screw.	2171-115
D	6	Foot Print	3726-124
E	24	M8 x 20 lg Pent Button Head Screw	2176-226
For Bark Fix Add Following			
G	3	Below Ground Fixing.	5071-017
H	3	Spragging Irons.	3031-010
J	6	M12 x 25 Hex Head Bolt.	2175-134

For maintenance details see separate sheet

	COMPILED:	APPROVED :	REV	1	2	3	4	5
	PG		ECN	1381	1401	1412	Minor	Minor
	DATE:	DATE:	SIG.	PG	MH	MH	TW	TW
	11/6/01		DATE.	23/05/00	12/03/02	31/05/02	21/02/06	11/10/06











