

# FANTASY FUN RUN

## BUNGEE BRIDGE

PROD CODE:	70349 70449 Bark Fix
SIZE:	2360 x 1220
AGE RANGE:	5 - 16 years
FREE FALL HEIGHT:	< 600mm
WEIGHT OF HEAVIEST PART	17 Kg
OVERALL WEIGHT OF UNIT	80 Kg

### DELIVERY LIST

Part No.	Description	Qty
70339	Low Upright assembly	4
70349-03	Bungee Net Assembly	1
70345-03	Tightrope Walk Hand Rope Assy	2
70349-04	Net Fixing Bar	2
70349-02	Below Ground Tie-Bar (1278 lg)	2
	Fixings Pack	

For bark fixed units replace part no 70339 with 70439

### SPECIFICATION

Unit is fabricated from mild steel plate to BS 1449, mild steel tubing to BS 1387.  
Caps and clamp fixings are produced from LM6M aluminium.  
Ropes are made from braided nylon with aluminium joints.  
All metal components will be protected with low lead powder paint.

### INSTALLATION INSTRUCTIONS

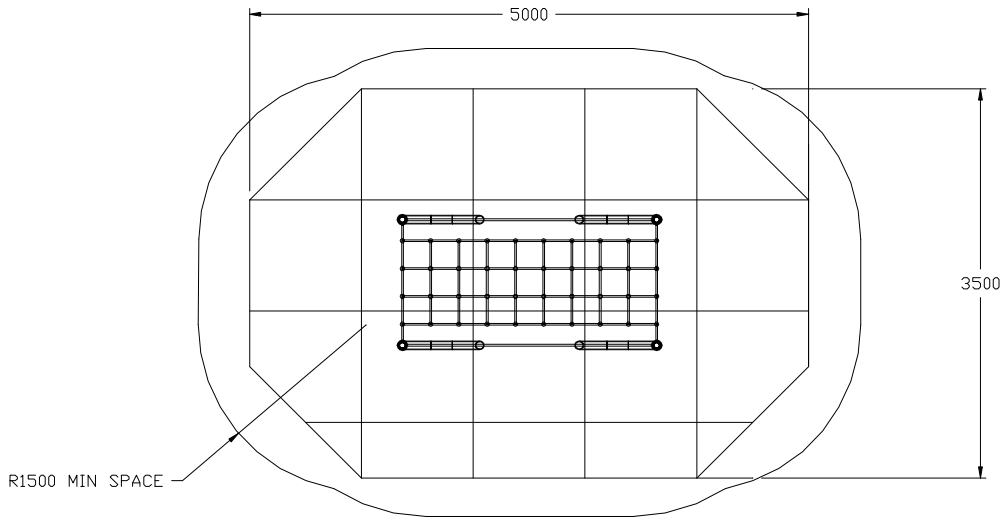
- 1 Read installation instructions through before commencing erection of unit.
- 2 Do NOT tighten fastenings until the unit is completely assembled.
- 3 Excavate foundations in accordance with details shown in foundation plan.
- 4 Attach the below ground tie-bars as shown in the installation instructions.
- 5 Place uprights in foundations and prop up in position.
- 6 Ensuring uprights are plumb, square and are at correct heights and centre dimensions, backfill foundations with 1.1 cubic metres of concrete.
- 7 Allow 48 hours drying time before fixing net fixing bars, hand ropes and bungee bridge net.

**Note:** All protruding screw threads to be peened over to remove sharp edges. Lifting aid may be required when installing this piece of equipment.

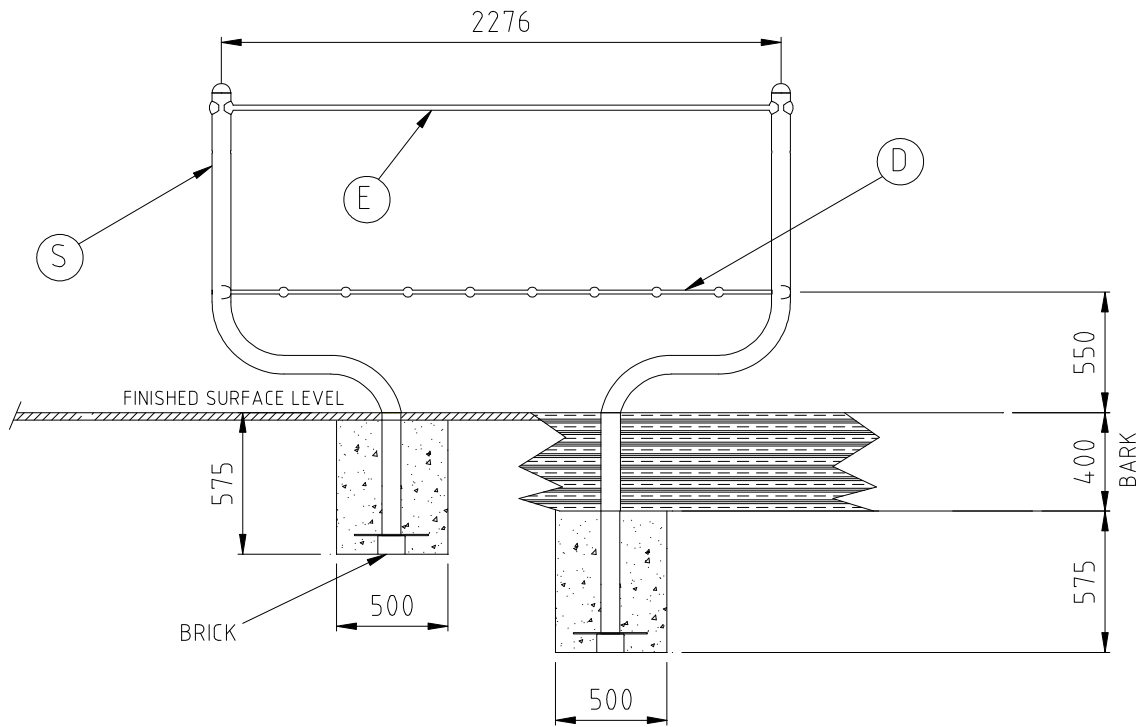
Note:-Ensure all installation aids are removed before first use.



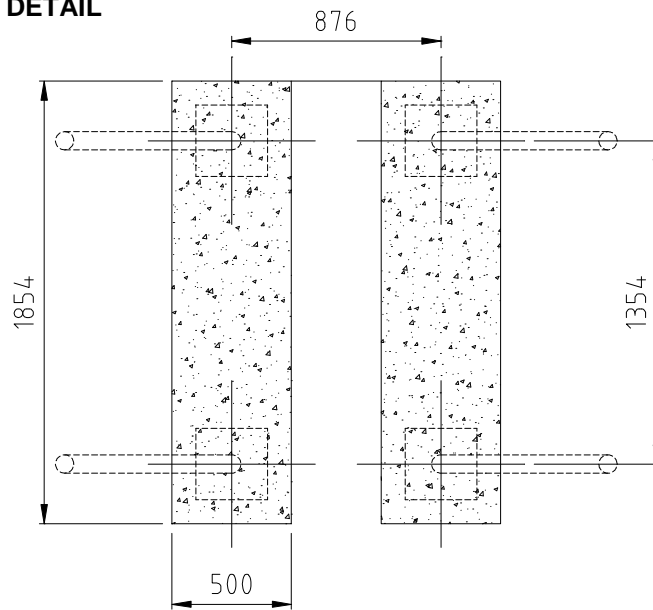
**SURFACING & MINIMUM SPACE DETAIL**



**FOUNDATION DETAIL (Ground and Bark Fixed details shown)  
(Care must be taken under abnormal conditions)**

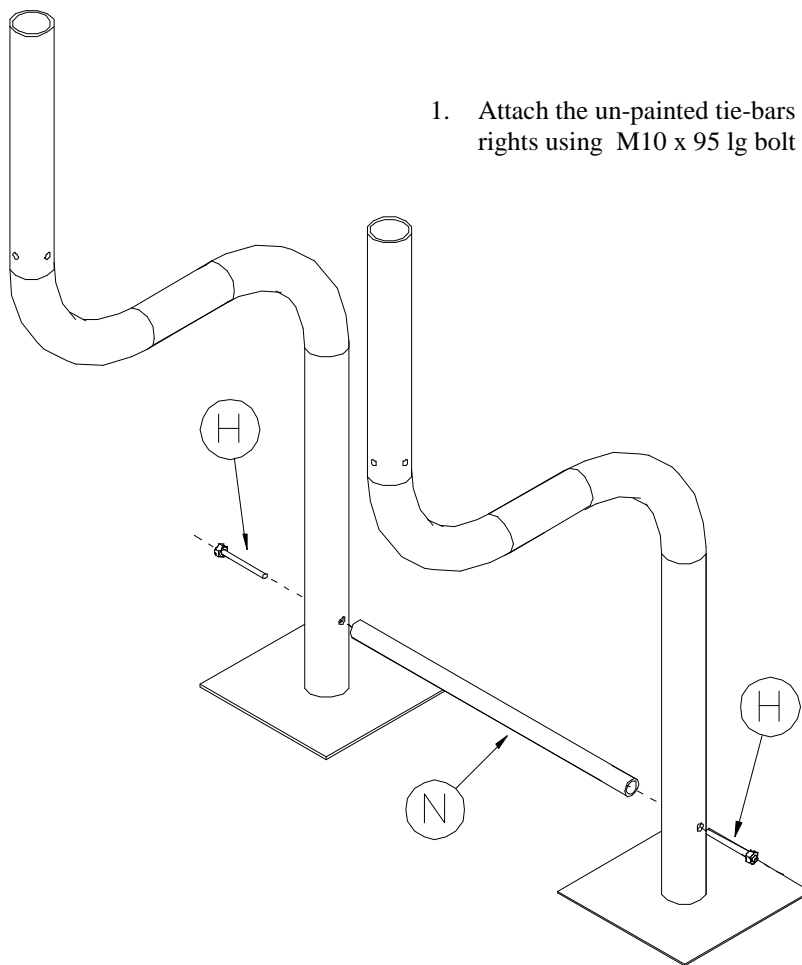


### FOUNDATION PLAN DETAIL

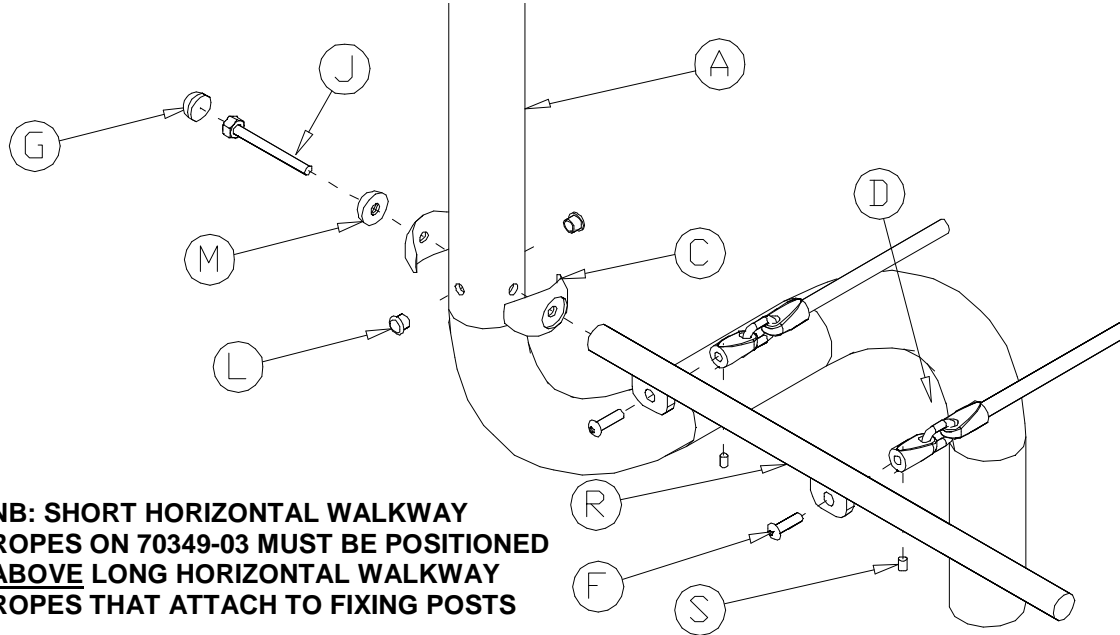


### TIE-BAR FIXING DETAIL

1. Attach the un-painted tie-bars (N) to the up-rights using M10 x 95 lg bolt (H).



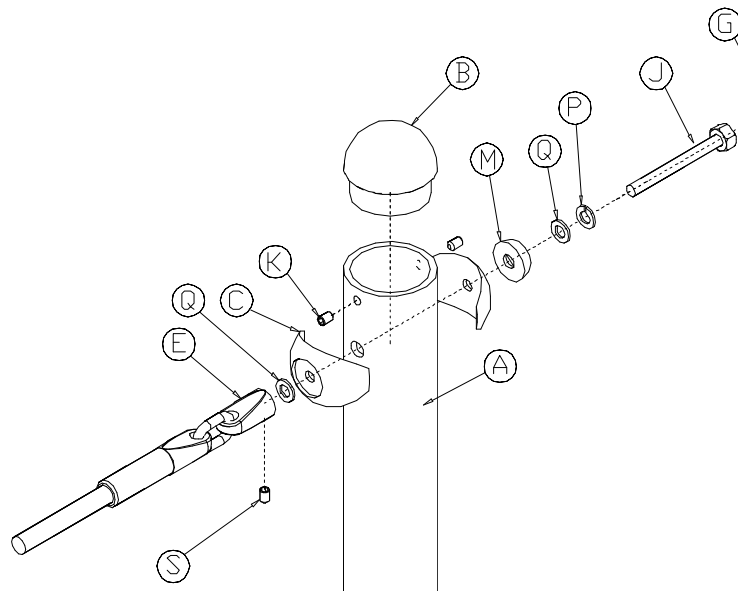
## NET FIXING BAR TO UPRIGHT & NET FIXING DETAILS



**NB: SHORT HORIZONTAL WALKWAY ROPES ON 70349-03 MUST BE POSITIONED ABOVE LONG HORIZONTAL WALKWAY ROPES THAT ATTACH TO FIXING POSTS**

1. Fit bungee bridge net fixing bar (R) to uprights (A) using aluminium clamp (C), M10 x 120 lg hex head bolt (J), 10mm washer (Q), plastic base (M) and plastic cap (G).
2. Secure bungee bridge net ends (D) with M10x30 lg pentagon button head bolts (F).
3. Fit M6 grub screws (S) after pentagon bolts (F) are tightened.
4. Fit plastic plugs (L) into holes that are not used.

## ROPE & TOP CAP FIXING DETAILS




1. Fit ropes (E) to uprights (A) using aluminium clamps (C), M10 x 120 Lg Bolt (J), 10mm Washer (Q), M10 Spring Washer (P) Dome Cap (Base) (M) and Dome Cap (Top) (G).
2. Fit aluminium end cap (B) into top of uprights and secure using M8 x 12 lg cone end grub screws x2 (K).

Note:-All spare parts are available from Wicksteed Leisure on request.

REF	QTY	DESCRIPTION	PART No
A	4	Low Upright Assembly	70339
B	4	Aluminium End Cap	3711-002
C	16	Aluminium Clamp	3711-028
D	1	Bungee Net Assembly	70349-03
E	2	Tightrope Walk Handrope Assembly	70345-03
F	8	M10x30 Pent Button Head Screw	2176-132
G	8	Dome Cap (Top)	2611-029
H	4	M10 x 95 Lg Bolt	2185-045
J	4	M10 x 120 Lg Bolt	2185-047
K	8	M8 x 12 Lg Cone End Grub Screw	2171-115
L	8	Dia. 12mm Plastic Insert	2611-017
M	12	Dome Cap (Base)	2611-029
N	2	Below Ground Tie-Bar	70349-02
P	4	M10 Spring Washer	2212-203
Q	12	10mm Washer	2215-508
R	2	Net Fixing Bar	70349-04
S	8	M6 x 6 Lg Grub Screw	2171-101
	2	M10/M12 Pentagon Wrench	2372-008
For bark fixed units replace item A with:			
	4	Low Upright assembly (Left-Hand)—Bark Fixed	70441-10

For maintenance instructions see separate sheet.

	COMPILED:	APPROVED :	REV	NEW	1	2	3	4	5
	P.Godfrey		ECN	1381	1401	1417	minor	minor	minor
	DATE:	DATE:	SIG.	PG	MH	PG	SB	PK	SB
	8/6/01		DATE.	8/6/01	01/03/02	14/11/02	26/02/04	2/03/05	30/08/06

REV		7	8	9	10	11
ECN		minor	minor	minor	minor	minor
SIG.		PG	TE	TE	DB	PG
DATE.		15/1/08	06/10/08	17/11/09	23/06/10	26/6/14



# DESPATCH LIST

Sheet 1 of 1

Product: Bungee Bridge Code No. 70349

Date of Issue: 8/06/01

Order No:

Issue: F

Item	Unit Qty	Description	Part No.	Checked
1	4	Low Upright assembly	70339	
2	1	Bungee Bridge Net Assembly	70349-03	
3	2	Tightrope Walk Rope Assembly	70345-03	
4	2	Net Fixing Bar	70349-04	
5	2	Tie-Bar Ass. (1278 LG)	70349-02	
6	1	Fixings Pack		
		<b>ITEM 5 (TIE-BARS) ARE <u>NOT</u> TO BE PAINTED,</b>		
		<b>SHOT-BLASTED OR GALVANISED.</b>		

Total No. of Items

Picked By:

Checked By:

COMPILED BY: PG	REV	NEW	1	2	3	4	5
	ECN No.	1381	1401	minor	1417	minor	minor
DATE: 08/06/2001	DATE	4/6/01	01/03/02	3/5/02	10/12/02	26/02/04	21/03/2006
	SIGN	PG	MH	PG	PG	SB	TW
	REV	6					
	ECN No.	minor					
	DATE	16/1/08					
	SIGN	PG					

# FIXINGS LIST

Product: Bungee Bridge Code No. 70349

Date of Issue: 8/06/01

Order No:

Issue: G

Item	Unit Qty	Description	Part No.	Checked
1	8	M10 x 120 Hex Head Bolt	2185-047	
2	8	M10x30 Pentagon Button Head Screw	2176-133	
3	8	M8 x 12 Lg Cone End Grub Screw *	2171-115	
4	8	Plastic Blanking Insert *	2611-017	
5	8	Plastic Cap Top	2611-029	
6	4	End Cap *	3711-002	
7	16	Clamp	3711-028	
8	8	Plastic Cap Base	2611-029	
9	4	M10 Spring Washer	2212-203	
10	12	M10 Washer	2215-508	
11	4	M10 x 95 Hex Head Bolt	2185-045	
12	8	M6 x 6 Lg Grub Screw *	2171-101	
13	2	M10/M12 Pentagon Key	2372-008	
		ITEMS MARKED * FITTED PRIOR TO DESPATCH		

Total No. of Items

Picked By:

Checked By:

COMPILED BY: PG	REV	NEW	1	2	3	4	5
	ECN No.	1381	1401	minor	1417	minor	minor
DATE: 08/06/2001	DATE	4/6/01	01/03/02	3/5/02	10/12/02	02/03/2005	21/03/2006
	SIGN	PG	MH	PG	PG	PK	TW
	REV	6	7	8	9		
	ECN No.	minor	minor	minor	minor		
	DATE	30/08/06	16/1/08	01/09/08	26/6/14		
	SIGN	SB	PG	SB	PG		



# DESPATCH LIST

Product : FANTASY FUN RUN - BUNGEE BRIDGE

Date of Issue:

BARK FIX

Code No: 70449

Issue: **E**

Item	Unit Qty.	Description	Part No.
1	1	BUNGEE BRIDGE NET ASSEMBLY	70349-03
2	4	LOW UPRIGHT ASSEMBLY - BARK FIX	70439
3	2	TIGHTROPE WALK HAND ASSEMBLY	70345-03
4	2	NET FIXING BAR	70349-04
5	1	TIE-BAR ASS. (1278 LG)	70349-02
6	1	FIXINGS PACK	
		<b>ITEM 5 (TIE-BARS) ARE <u>NOT</u> TO BE PAINTED,</b>	
		<b>SHOT-BLASTED OR GALVANISED.</b>	

TOTAL No. OF ITEMS

PICKED BY.....

CHECKED BY.....

COMPILED BY: PG	REV:	NEW	1	2	3	4	5	
	ECN No.:	1381	1401	minor	1417	minor	minor	
DATE: 08/06/01	DATE:	04/06/2001	03/01/2002	03/05/2002	18/11/2002	26/02/2004	16/01/2008	
	SIGN:	PG	MH	PG	PG	SB	PG	





# FIXINGS LIST

Product : FANTASY FUN RUN - BUNGEE BRIDGE  
 BARK FIX

Date of Issue:

Code No: 70449

Issue: F

Item	Unit Qty.	Description	Part No.
1	8	M10 x 120 LG HEX BOLT	2185-047
2	8	M10x30 Pentagon Button Head Screw	2176-132
3	8	M8 x 12 CONE END GRUB SCREW*	2171-115
4	8	PLASTIC BLANKING INSERT*	2611-017
5	8	PLASTIC CAP TOP	2611-029
6	4	END CAP*	3711-002
7	16	CLAMP	3711-028
8	8	PLASTIC CAP BASE	2611-029
9	4	M10 SPRING WASHER	2212-203
10	12	M10 WASHER	2215-508
11	4	M10 x 95 LG HEX BOLT	2185-045
12	8	M6 x 6 GRUB SCREW	2171-101
13	2	M10/M12 Pentagon Key	2372-008
COMPONENTS MARKED * FITTED			
BEFORE DESPATCH			

TOTAL No. OF ITEMS

PICKED BY.....

CHECKED BY.....

COMPILED BY: PG	REV:	NEW	1	2	3	4	5	6
DATE: 08/06/01	ECN No.:	1381	1401	minor	1417	minor	minor	minor
	DATE:	04/06/01	03/01/02	03/05/02	18/11/02	26/02/04	02/03/05	30/08/06
	SIGN:	PG	MH	PG	PG	SB	PK	SB
	REV:	7	8	9				
	ECN No.:	minor	minor	minor				
	DATE:	16/01/08	01/09/08	26/06/14				
	SIGN:	PG	SB	PG				