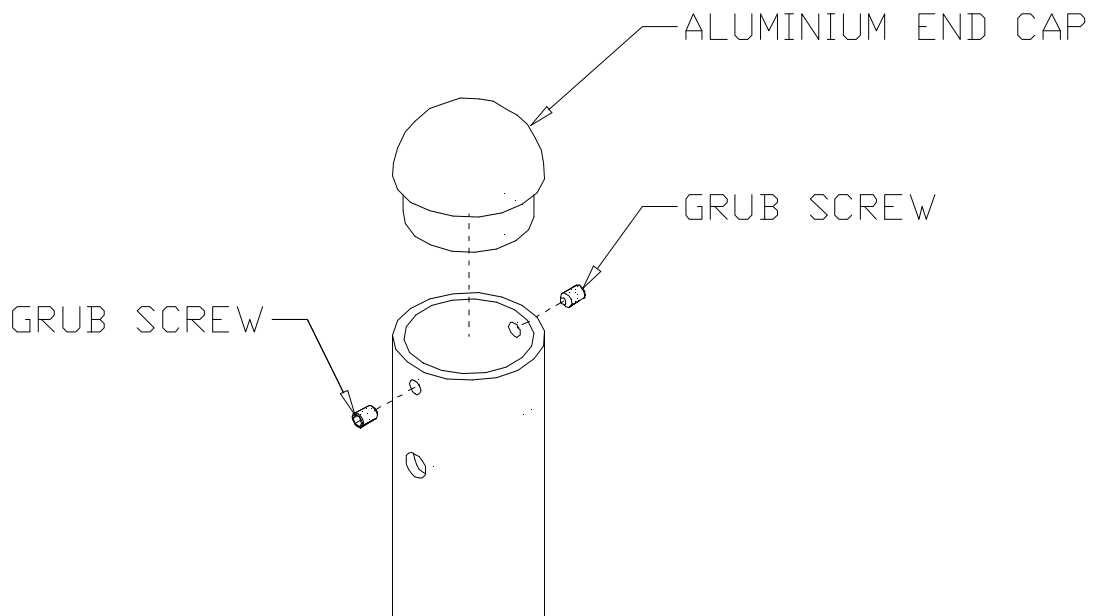
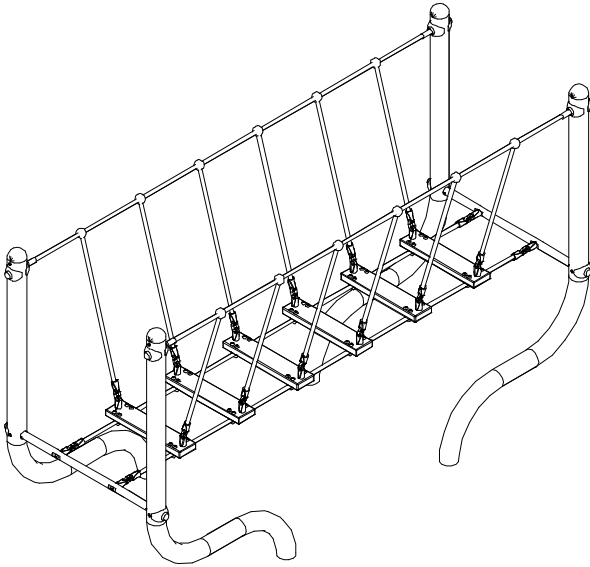


ADDENDUM

END CAP FIXING DETAILS



Fit aluminium end cap into end of uprights and secure using two M8 x 12 lg cone end grub screws.



FANTASY FUN RUN

CLATTER BRIDGE

PROD CODE:	70348/ 70448 Bark Fix
SIZE:	2384 x 858
AGE RANGE:	5 - 16 YEARS
FREE FALL HEIGHT:	< 600mm
WEIGHT OF HEAVIEST PART	17 Kg
OVERALL WEIGHT OF UNIT	80 Kg

DELIVERY LIST

Part No.	Description	Qty
70339	Low up-right assembly	4
70348-01	Hand rope assembly	2
70348-05	Tread rope assembly	2
70348-09	2 Point cross member (655 lg)	2
70341-04	Below ground tie-bar ass (673 lg)	2
	FIXINGS PACK	
For bark fixed units replace part no. 70339 with 70439		

SPECIFICATION

Unit is fabricated from mild steel plate to BS 1449, mild steel tubing to BS 1387.
Caps and clamp fixings are produced from LM6M aluminium.
Ropes are made from braided nylon with aluminium joints.
All metal components will be protected with low lead powder paint.

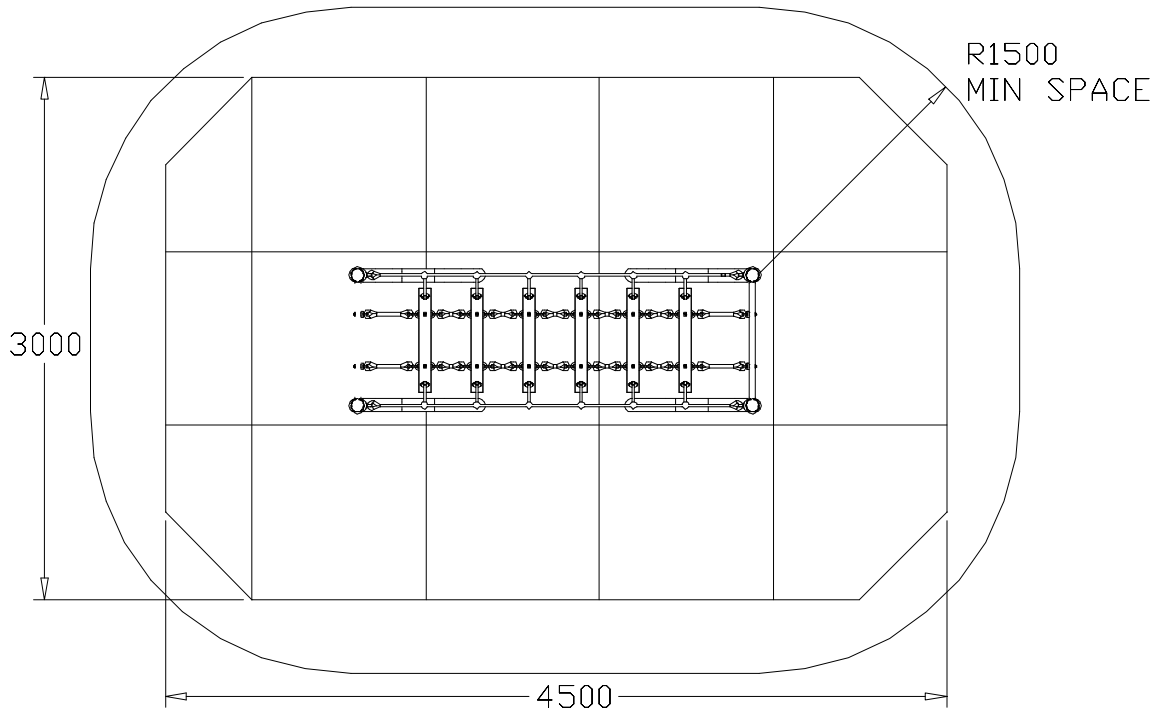
INSTALLATION INSTRUCTIONS

- 1 Read installation instructions through before commencing erection of unit.
- 2 Do NOT tighten fastenings until the unit is completely assembled.
- 3 Excavate foundations in accordance with details shown in foundation plan.
- 4 Attach below ground tie-bars, as shown in the installation instructions.
- 5 Place uprights on a standard red house brick in foundations and prop up in position.
- 6 Ensuring uprights are plumb, square and are at correct heights and centre dimensions, backfill foundations with 0.7 cubic metres of concrete.
- 7 Allow 48 hours drying time before fixing bridge rope assembly.

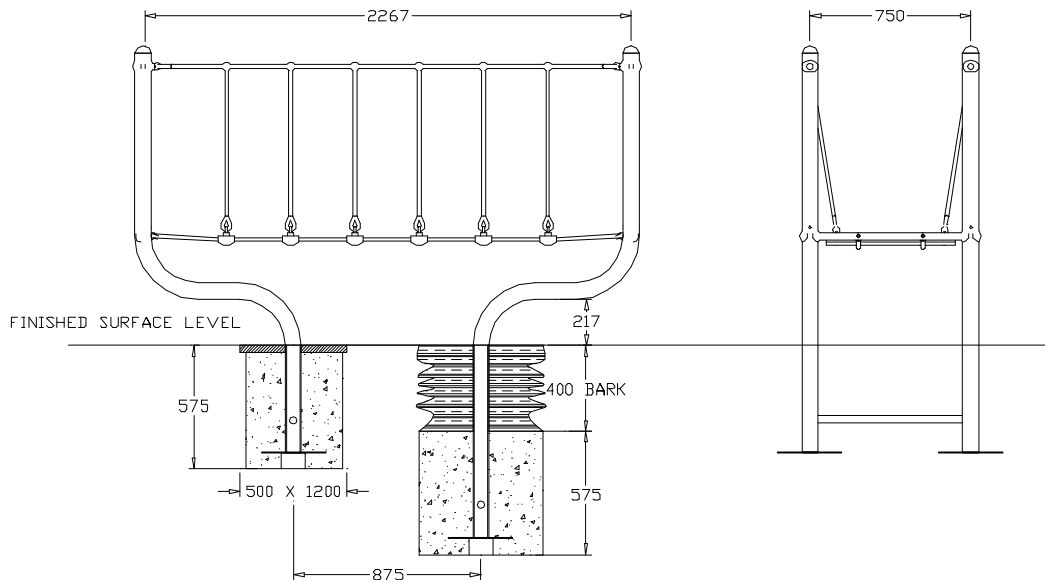
Note: All protruding screw threads to be peened over to remove sharp edges.
Lifting aid may be required when installing this piece of equipment.

Note:-Ensure all installation aids are removed before first use.

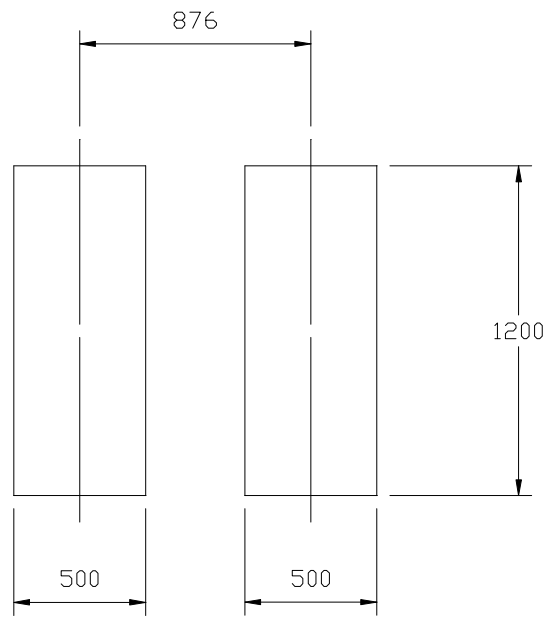
SURFACING & MINIMUM SPACE DETAIL



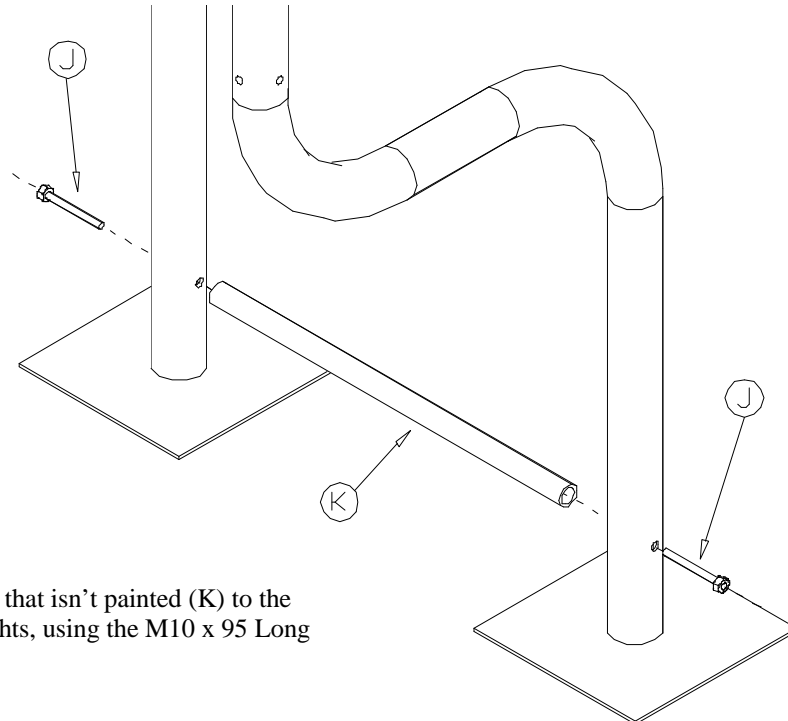
**FOUNDATION DETAIL (Ground and Bark Fixed details shown)
(Care must be taken under abnormal conditions)**



FOUNDATION PLAN DETAIL

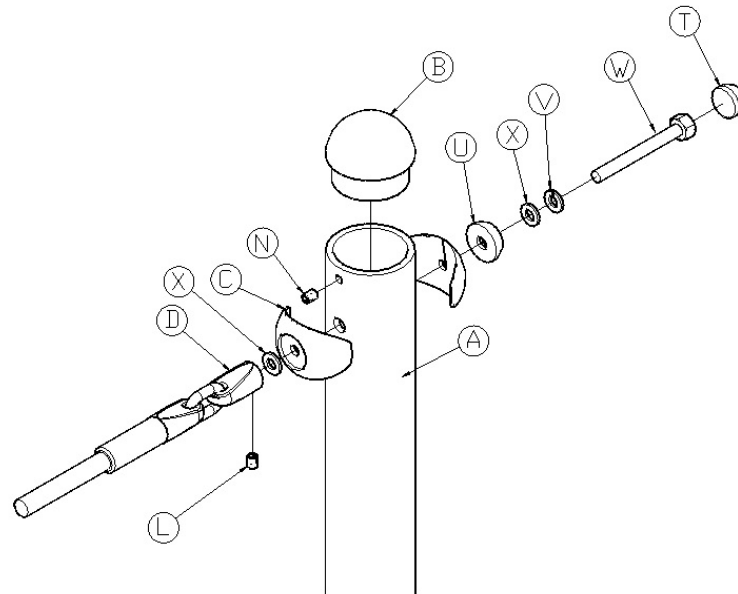


BELOW GROUND TIE-BAR ASSEMBLY



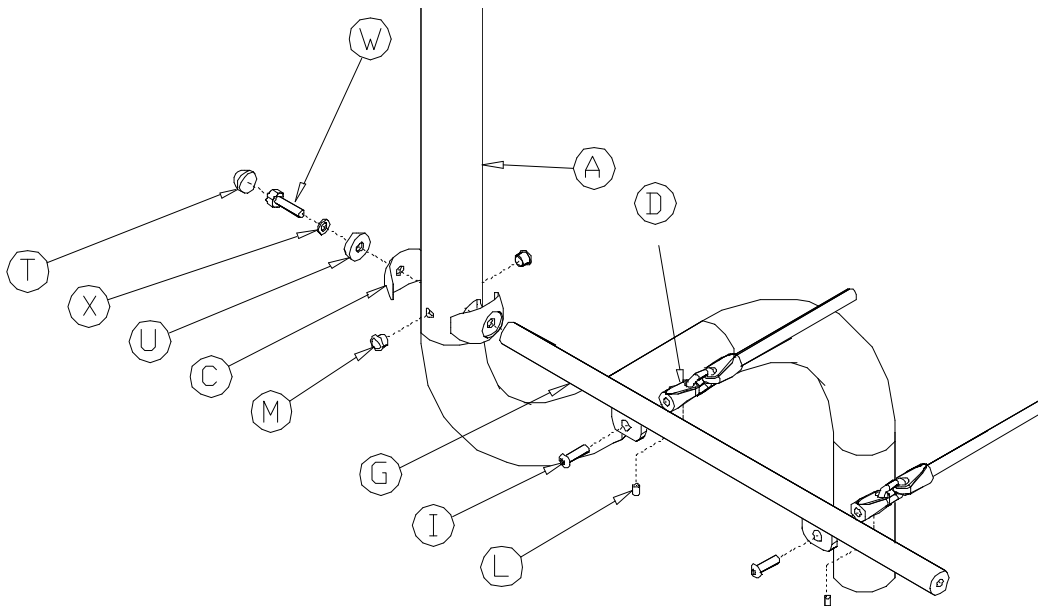
1. Attach the tie-bar that isn't painted (K) to the base of the up-rights, using the M10 x 95 Long Hexagon Bolt (J)

ROPE & TOP CAP FIXING DETAILS



1. Fit ropes to uprights using aluminium clamps (C), Dome Cap (Top) (T), M10 Washer (X) Dome Cap (Base) (U) M10 x 120 Hex Bolt (W) & M10 Spring Washer (V).
2. Fit aluminium end cap (B) into top of uprights and secure using M8 x 12 lg cone end grub screw (N).

TREAD ROPE & CROSS MEMBER FIXING DETAILS




1. Fit painted Cross Member (G) to Uprights (A) using Aluminium Clamps (C), M10 x 120 Lg Hexagon Bolt (W) Dome Cap (Top) (V) & Dome Cap (Base) (U).
2. Fit Tread Rope (E) to Cross Member (G) using M10 x 35 Long Pentagon Button Head Screws (I).
3. Ensure M6 grub screw (L) is fitted after tightening M10 x 35 Pentagon Button Head Screw
4. Fit Plastic Plugs (M) into any unused holes.

Note:-All spare parts are available from Wicksteed Leisure on request.

REF	QTY	DESCRIPTION	PART No
A	4	Low up-right assembly	70339
B	4	End cap	3711-002
C	16	Clamp	3711-028
D	1	Clatter bridge rope assembly	70348-05
G	2	2 Point cross member (655 lg)	70348-09
I	4	M10 x 35 LG Pentagon button head screw	2176-127
J	4	M10 x 95 Lg Hexagon Bolt	2185-045
K	2	Below ground tie-bar assembly (Un-painted 673 lg)	70341-04
L	8	M6 x 6 LG Grub screw	2171-101
M	8	Dia. 12mm Plastic insert	2611-017
N	4	M8 x 12 LG Cone end grub screw	2171-115
T	8	Dome Cap (Top Only)	2611-029
U	8	Dome Cap (Base Only)	2611-029
V	4	M10 Spring Washer	2212-203
W	8	M10 x 120 Lg Hexagon Bolt	2185-047
X	12	M10 Washer	2215-508
	2	M10/M12 Pentagon wrench	2372-008
FOR BARK FIX REPLACE ITEMS A & E WITH			
	4	Low up-right assembly Bark fix	70439

For maintenance instructions see separate sheet

	COMPILED:	APPROVED :	REV	NEW	1	2	3	4
	PJM		ECN	1381	1401	1407	1417	minor
	DATE:	DATE:	SIG.	PJM	MH	PG	PG	SB
	08-06-01		DATE.	08-06-01	27/02/02	27/3/02	26/11/02	14/03/03
			5	6	7	8	9	10
			minor	minor	minor	minor	minor	Minor
			SB	TW	SB	TE	TE	MC
			12/03/04	10/05/06	30/08/06	06/10/08	03/12/09	09/12/14



DESPATCH LIST

Product : CLATTER BRIDGE

Date of Issue:

Code No: 70348

Issue: D

Item	Unit Qty.	Description	Part No.
1	1	BRIDGE ROPE ASSEMBLY	70348-05
2	4	LOW UPRIGHT ASSEMBLY	70339
3	2	2 POINT CROSS MEMBER (655 LG)	70348-09
4	2	BELOW GROUND TIE BAR ASSEMBLY (674 LG)	70341-04
5	1	FIXINGS PACK	
		ITEMS MARKED * TO BE FITTED PRIOR TO	
		DESPATCH	
		ITEM 4 (TIE-BARS) ARE <u>NOT</u> TO BE PAINTED,	
		SHOT-BLASTED OR GALVANISED.	

TOTAL No. OF ITEMS

PICKED BY.....

CHECKED BY.....

COMPILED BY: PJM DATE: 08/06/2001	REV:	NEW	1	2	3	4		
	ECN No.:	1381	1401	minor	1417	minor		
	DATE:	08/06/01	26/02/02	03/05/02	20/11/02	12/03/04		
	SIGN:	PJM	MH	PG	PG	SB		

