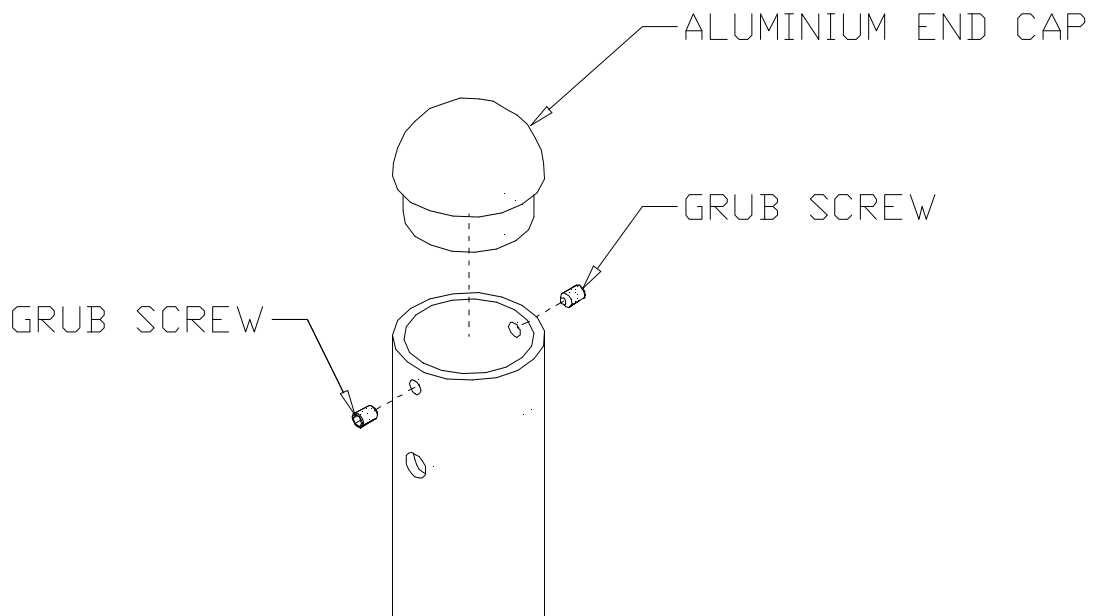
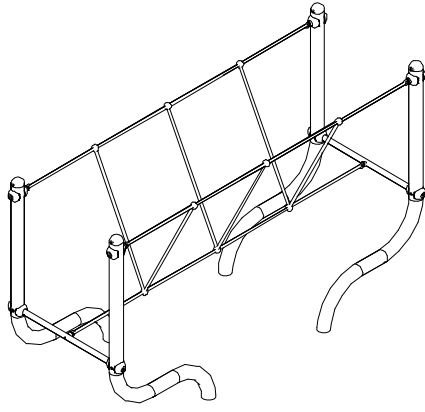


ADDENDUM

END CAP FIXING DETAILS



Fit aluminium end cap into end of uprights and secure using two M8 x 12 lg cone end grub screws.



FANTASY FUN RUN

CATWALK

PROD CODE:	70347 70437 Bark Fix
SIZE:	2384 x 858
AGE RANGE:	5 - 16 years
FREE FALL HEIGHT:	< 600mm
WEIGHT OF HEAVIEST PART	17 Kg
OVERALL WEIGHT OF UNIT	75 Kg

DELIVERY LIST

Part No.	Description	Qty
70339	Low Upright assembly	4
70347-03	Catwalk Rope Assembly	1
70347-04	Cross Member (655 lg)	2
70341-04	Below ground tie-bar ass (673 lg)	2
	Fixings Pack	

For bark fixed units replace part no. 70339 with 70439

SPECIFICATION

Unit is fabricated from mild steel plate to BS 1449, mild steel tubing to BS 1387.
Caps and clamp fixings are produced from LM6M aluminium.
Ropes are made from braided nylon with aluminium joints.
All metal components will be protected with low lead powder paint.

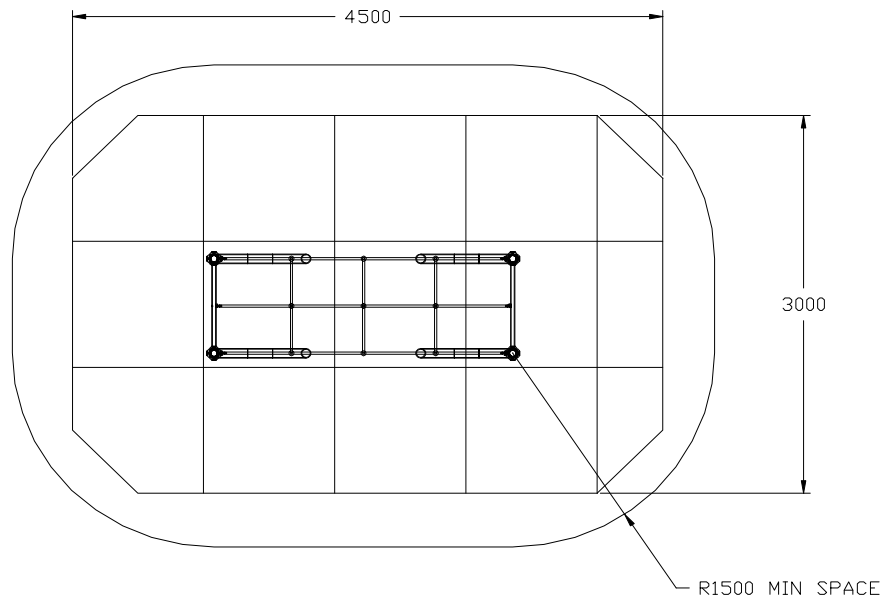
INSTALLATION INSTRUCTIONS

- 1 Read installation instructions through before commencing erection of unit.
- 2 Do NOT tighten fastenings until the unit is completely assembled.
- 3 Excavate foundations in accordance with details shown in foundation plan.
- 4 Attach below ground tie-bars, as shown in the installation instructions.
- 5 Place uprights in foundations and prop up in position.
- 6 Ensuring uprights are plumb, square and are at correct heights and centre dimensions, backfill foundations with 0.7 cubic metres of concrete.
- 7 Allow 48 hours drying time before fixing ropes.

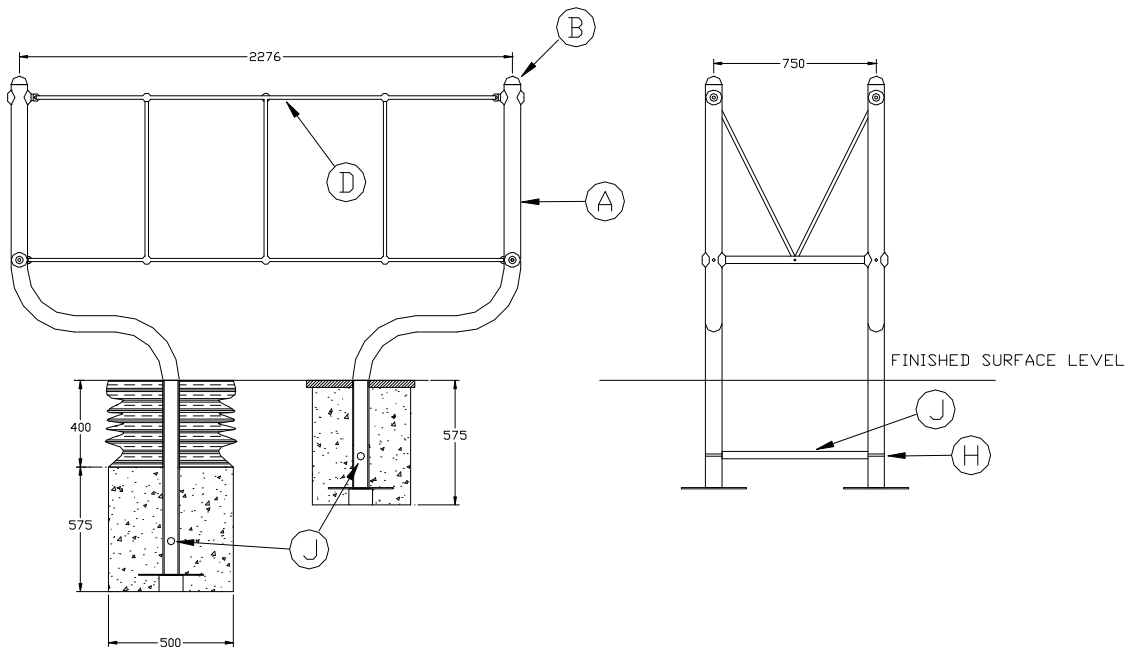
Note: M8 bolts to be torqued to 18 Nm (13lbf.). M10 bolts to be torqued to 34 Nm (25lbf)
M12 bolts to be torqued to 55 Nm (40lbf). All protruding screw threads to be peened over to remove sharp edges. Lifting aid may be required when installing this piece of equipment.

Note:-Ensure all installation aids are removed before first use.

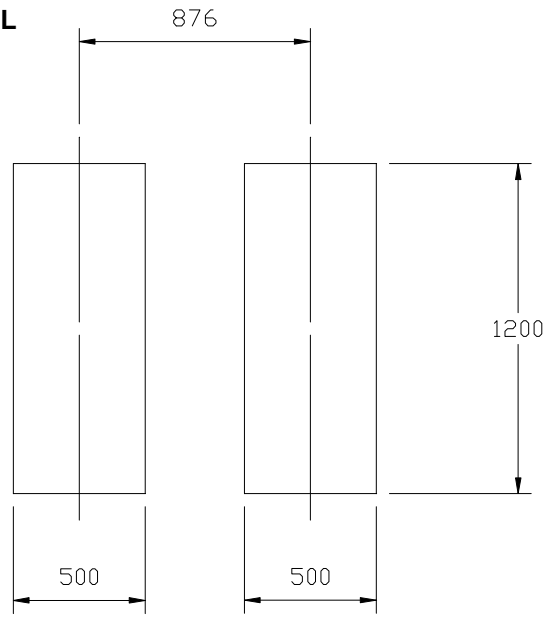
SURFACING & MINIMUM SPACE DETAIL



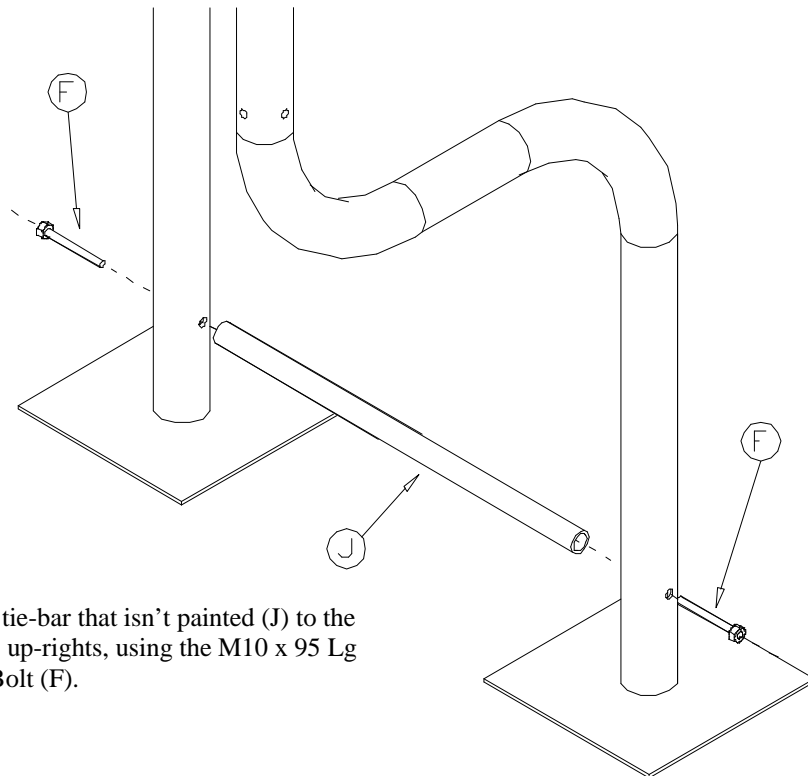
**FOUNDATION DETAIL (Ground and Bark Fixed details shown)
(Care must be taken under abnormal conditions)**



FOUNDATION PLAN DETAIL

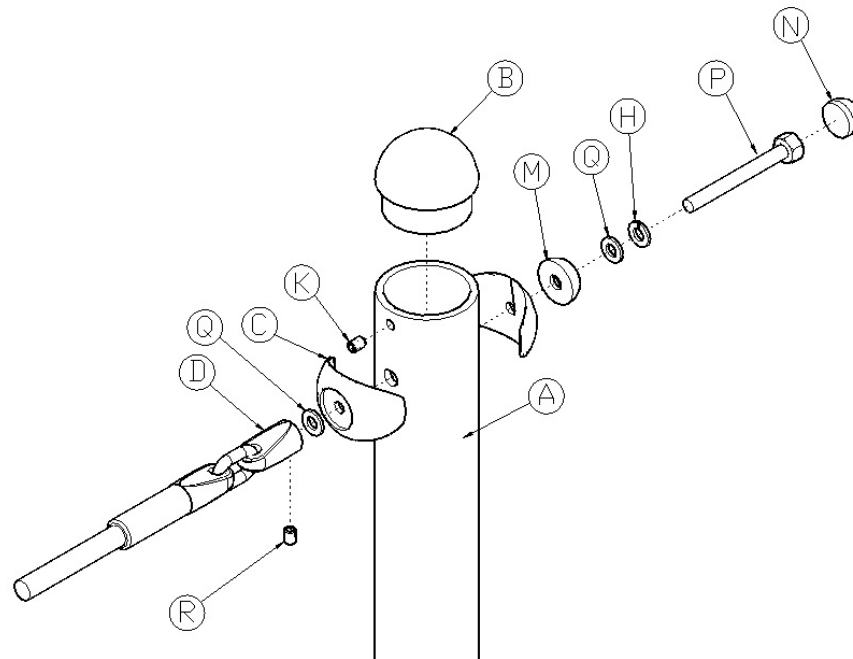


BELOW GROUND TIE-BAR ASSEMBLY



1. Attach the tie-bar that isn't painted (J) to the base of the up-rights, using the M10 x 95 Lg Hexagon Bolt (F).

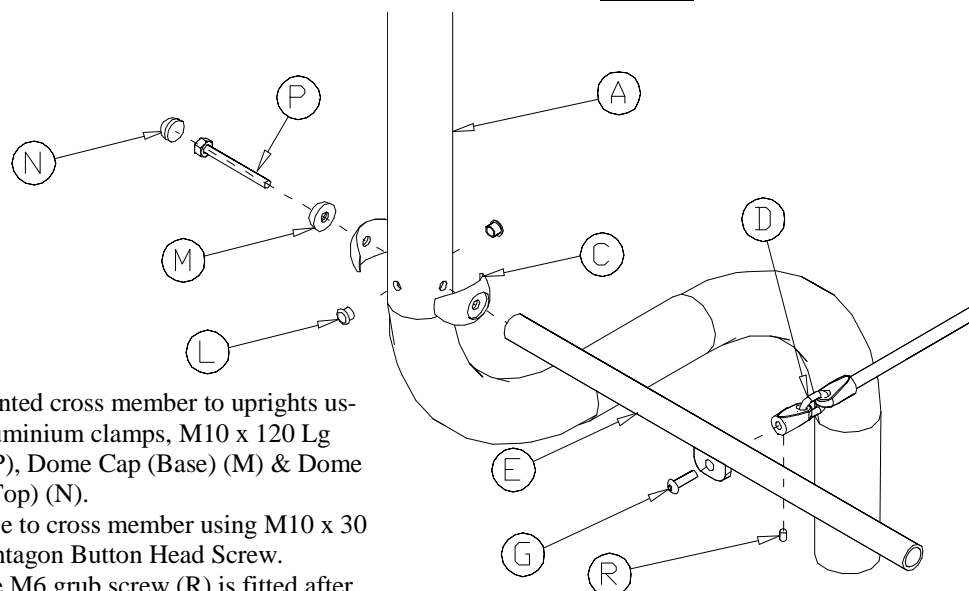
ROPE & TOP CAP FIXING DETAILS



1. Fit ropes to uprights using aluminium clamps (C), Dome Cap (Top) (N), M10 Washer (Q) Dome Cap (Base) (M) M10 x 120 Hex Bolt (P) & M10 Spring Washer (H).
2. Fit aluminium end cap (B) into top of uprights and secure using M8 x 12 lg cone end grub screw (K).

ROPE & CROSS MEMBER FIXING DETAILS

NB: BOTTOM HORIZONTAL ROPE IS TO BE POSITIONED ABOVE VERTICAL ROPES




1. Fit painted cross member to uprights using aluminium clamps, M10 x 120 Lg Bolt (P), Dome Cap (Base) (M) & Dome Cap (Top) (N).
2. Fit rope to cross member using M10 x 30 Lg Pentagon Button Head Screw.
3. Ensure M6 grub screw (R) is fitted after tightening M10 x 30 Pentagon Button Head Screw (G).
4. Fit plastic plugs (L) into holes that are not used.

Note:-All spare parts are available from Wicksteed Leisure on request.

REF	QTY	DESCRIPTION	PART No
A	4	Low Upright assembly	70339
B	4	Aluminium End Cap	3711-002
C	16	Aluminium Clamp	3711-028
D	1	Catwalk Rope Assembly	70347-03
E	2	Cross Member (655 lg)	70347-04
F	4	M10 x 95 Hexagon Bolt	2185-045
G	2	M10 x 30 Lg Pentagon Button Head Screw	2176-132
H	4	M10 Spring Washer	2212-203
J	2	Below ground tie-bar assembly (Un-painted 673 lg)	70341-04
K	4	M8 x 12 Lg Cone End Grub Screw	2171-115
L	8	Dia. 12mm Plastic Insert	2611-017
M	8	Dome Cap (Base)	2611-029
N	8	Dome Cap (Top)	2611-029
P	8	M10 x 120 Hexagon Bolt	2185-047
Q	8	M10 Washer	2215-508
R	6	M6 x 6 Lg Grub Screw	2171-101
	2	M10/M12 Pentagon Wrench	2372-008
For bark fixed units replace item A with:			
	4	Low Upright assembly—Bark Fixed	70439

For maintenance instructions see separate sheet.

	COMPILED:	APPROVED :	REV	NEW	1	2	3	4
	P.Godfrey		ECN	1381	1401	1417	minor	minor
	DATE:	DATE:	SIG.	PG	MH	PG	SB	SB
	30/5/01		DATE.	30/5/01	28/02/02	2/12/02	14/03/03	31/08/06
			REV	5	6	7	8	
			ECN	minor	minor	minor	minor	
			SIG.	TE	TE	TE	MC	
			DATE.	06/10/08	28/10/08	03/08/09	09/12/14	



FIXINGS LIST

Product : FANTASY FUN RUN - CATWALK 29/05/2001

Code No: 70347 Issue: C

Item	Unit Qty.	Description	Part No.
1	16	CLAMP	3711-028
2	4	GRUB SCREW M8 x 12LG *	2171-115
3			
4	4	M10 x 95 HEXAGON BOLT	2185-046
5	4	END CAP *	3711-002
6	2	M10 x 30 LG. PENTAGON BUTTON HEAD SCREW	2176-132
7	8	DOME CAP (BASE ONLY)	2611-029
8	8	DOME CAP (TOP ONLY)	2611-029
9	8	M10 x 120 HEXAGON BOLT	2185-047
10	8	M10 WASHER	2215-508
11	8	12mm PLASTIC PLUG	2611-017
12	6	GRUB SCREW M6 x 6LG	2171-101
13	2	M10/M12 Pentagon Key	2372-008
14	4	M10 Spring Washers	2212-203
		ITEMS MARKED * TO BE FITTED PRIOR TO	
		DESPATCH	

TOTAL No. OF ITEMS

PICKED BY.....

CHECKED BY.....

COMPILED BY: SCJ	REV:	NEW	1	2	3	4	5	6
	ECN No.:	1381	1401	minor	1417	minor	minor	minor
DATE: 29/05/01	DATE:	29/05/01	28/02/02	03/05/02	21/11/02	30/08/06	01/09/08	03/08/09
	SIGN:	SCJ	MH	PG	PG	SB	SB	TE
	REV:	7						
	ECN No.:	Minor						
	DATE:	09/12/14						
	SIGN:	MC						