

# FANTASY FUN RUN

## TIGHTROPE WALK

PROD CODE:	70345 70435 Bark Fix
SIZE:	3752 x 76
AGE RANGE:	5 - 16 years
FREE FALL HEIGHT:	< 600mm
WEIGHT OF HEAVIEST PART	17 Kg
OVERALL WEIGHT OF UNIT	40 Kg

### DELIVERY LIST

Part No.	Description	Qty
70353	Tightrope Upright assembly	2
70345-03	Parallel Rope Assembly	2
70344-02	Tie-bar assembly	1
	Fixings Pack	
For bark fixed units replace part no. 70353 with 70453		

### SPECIFICATION

Unit is fabricated from mild steel plate to BS 1449, mild steel tubing to BS 1387.  
Caps and clamp fixings are produced from LM6M aluminium.  
Ropes are made from braided nylon with aluminium joints.  
All metal components will be protected with low lead powder paint.

### INSTALLATION INSTRUCTIONS

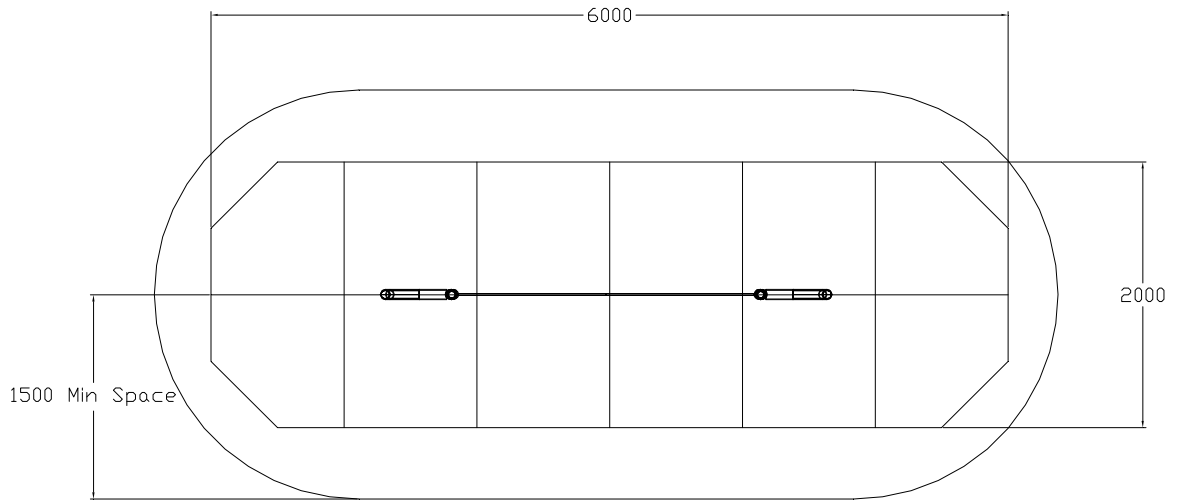
- 1 Read installation instructions through before commencing erection of unit.
- 2 Do NOT tighten fastenings until the unit is completely assembled.
- 3 Excavate foundations in accordance with details shown in foundation plan.
- 4 Place uprights in foundations and prop up in position.
- 5 Attach above ground tie-bar, as shown in the installation instructions.
- 6 Ensuring uprights are plumb, square and are at correct heights and centre dimensions, backfill foundations with 0.2875 cubic metres of concrete.
- 7 Allow 48 hours drying time before fixing ropes.

**Note:** M8 bolts to be torqued to 18 Nm (13 lbft.). M10 bolts to be torqued to 34 Nm (25 lbft)  
M12 bolts to be torqued to 55 Nm (40 lbft). All protruding screw threads to be peened over to remove sharp edges. Lifting aid may be required when installing this piece of equipment.

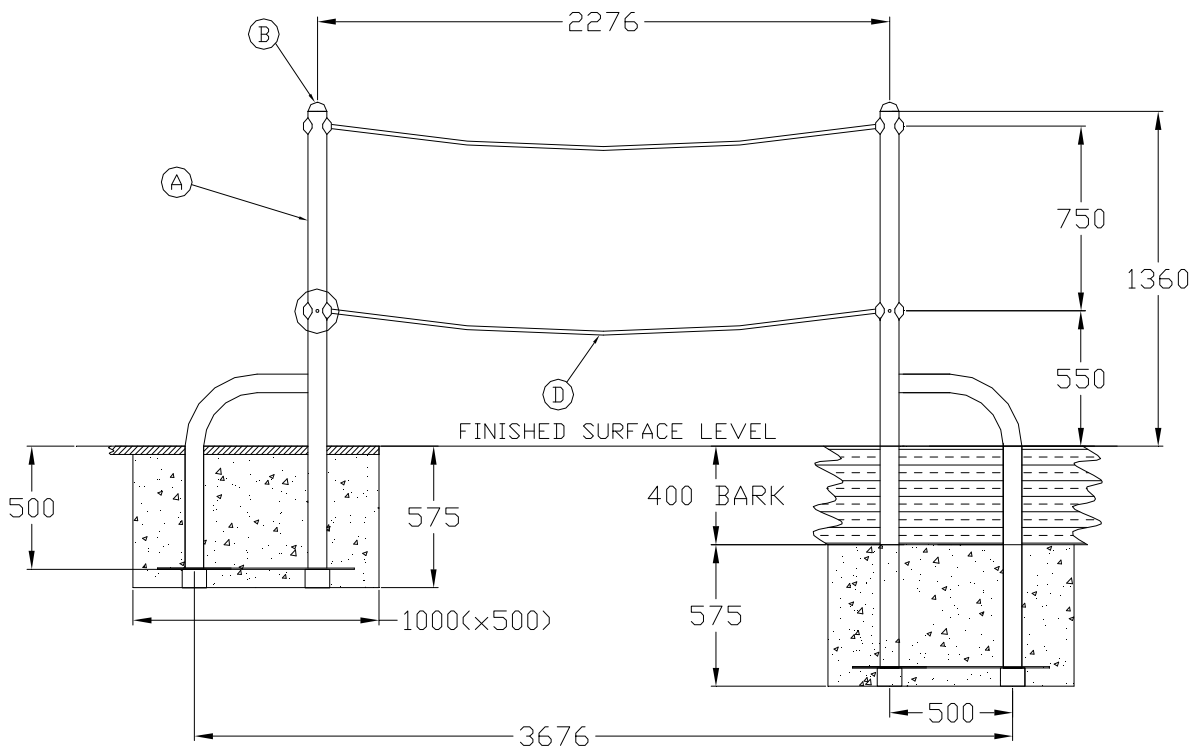
Note:-Ensure all installation aids are removed before first use.



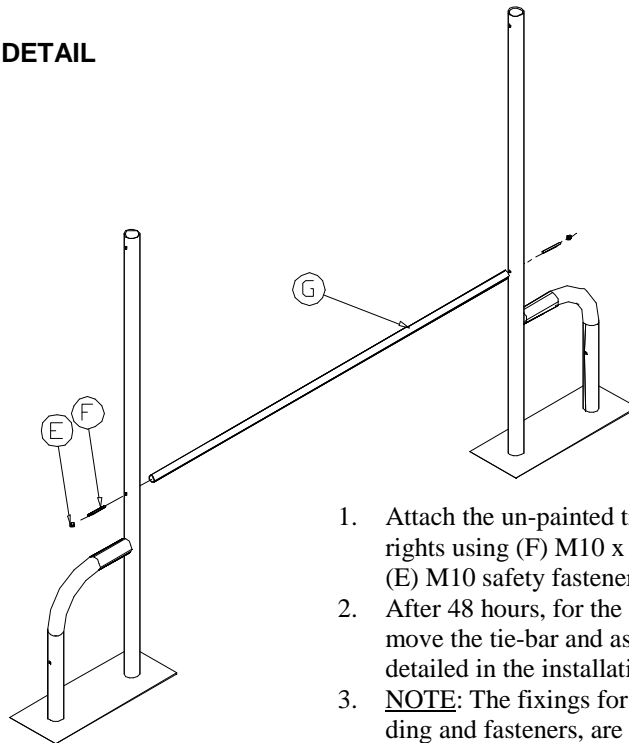
**SURFACING & MINIMUM SPACE DETAIL**



**FOUNDATION DETAIL (Ground and Bark Fixed details shown)  
(Care must be taken under abnormal conditions)**

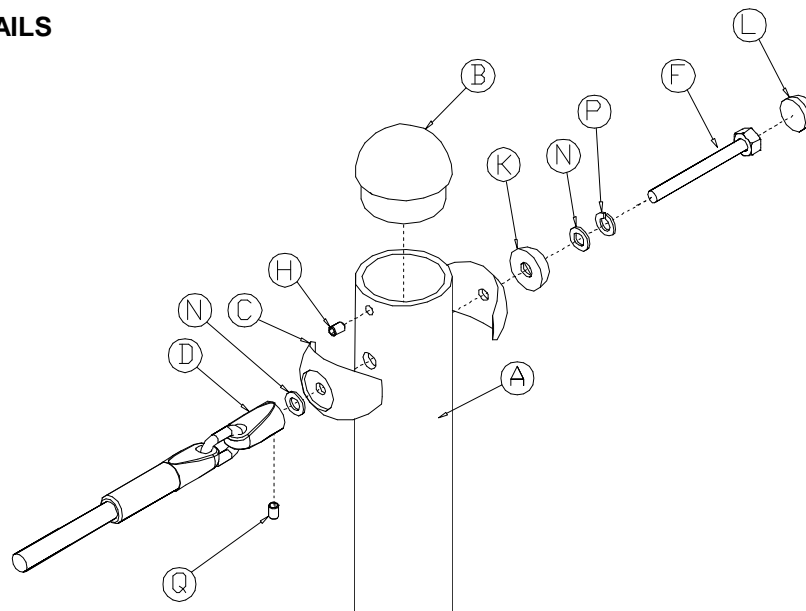


## TIE-BAR FIXING DETAIL



1. Attach the un-painted tie-bar (G) to the uprights using (F) M10 x 110 lg studding and (E) M10 safety fasteners.
2. After 48 hours, for the concrete to set, remove the tie-bar and assemble the ropes as detailed in the installation sheet.
3. **NOTE:** The fixings for the tie-bar, the studding and fasteners, are to be re-used to assemble the ropes.

## FIXING DETAILS




1. Fit ropes to uprights using aluminium clamps (C), M10 x 120 Hexagon Head Bolt (F) M10 Washers (N), M10 Spring Washer (P), Dome Cap (Base) (K) and Dome Cap (Top) (L).
2. Ensure M6 grub screw (Q) is fitted after tightening M10 x 120 Hexagon Head Screw
3. Fit aluminium end cap (B) into top of uprights and secure using M8 x 12 lg cone end grub screw (H).
4. Ensure plastic plugs are fitted into holes that are not used.

Note:-All spare parts are available from Wicksteed Leisure on request.

REF	QTY	DESCRIPTION	PART No
A	2	Tightrope Upright assembly	70353
B	2	Aluminium End Cap	3711-002
C	8	Aluminium Clamp	3711-028
D	2	Parallel Rope Assembly	70345-03
F	4	M10 x 120 lg Hexagon Bolt	2185-047
G	1	Tie-bar assembly (Un-painted 2200 lg)	70344-02
H	2	M8 x 12 Lg Cone End Grub Screw	2171-115
K	4	Dome Cap (Base Only)	2611-029
L	4	Dome Cap (Top Only)	2611-029
M	2	M10 x 95 lg Hexagon Bolt	2185-045
N	8	M10 Washer	2215-508
P	4	M10 Spring Washer	2212-203
Q	4	M6 x 6 Lg Grub Screw	2171-101
R	4	12mm Plastic Plug	2611-017
	2	M10/M12 Pentagon Wrench	2372-008
For bark fixed units replace item A with:			
	2	Tightrope Upright assembly—Bark Fixed	70453

For maintenance instructions see separate sheet.

	COMPILED:	APPROVED :	REV	NEW	1	2	3	4
	P.Godfrey		ECN	1381	1401	1417	Minor	1598
	DATE:	DATE:	SIG.	PG	MH	PG	TW	TE
	30/5/01		DATE.	30/5/01	07/03/02	5/12/02	23/05/07	24/05/10









