

FANTASY FUN RUN

ROPE-CAUSEWAY

PROD CODE:	70344 70444 Bark Fix
SIZE:	3352 x 76
AGE RANGE:	5 - 16 years
FREE FALL HEIGHT:	< 600mm
WEIGHT OF HEAVIEST PART	17 Kg
OVERALL WEIGHT OF UNIT	40 Kg

DELIVERY LIST

Part No.	Description	Qty
70350	High Upright assembly	2
70344-01	Parallel Rope Assembly	2
70344-02	Tie-bar Assembly	1
	Fixings Pack	
For bark fixed units replace part no. 70350 with 70450		

SPECIFICATION

Unit is fabricated from mild steel plate to BS 1449, mild steel tubing to BS 1387.
Caps and clamp fixings are produced from LM6M aluminium.
Ropes are made from braided nylon with aluminium joints.
All metal components will be protected with low lead powder paint.

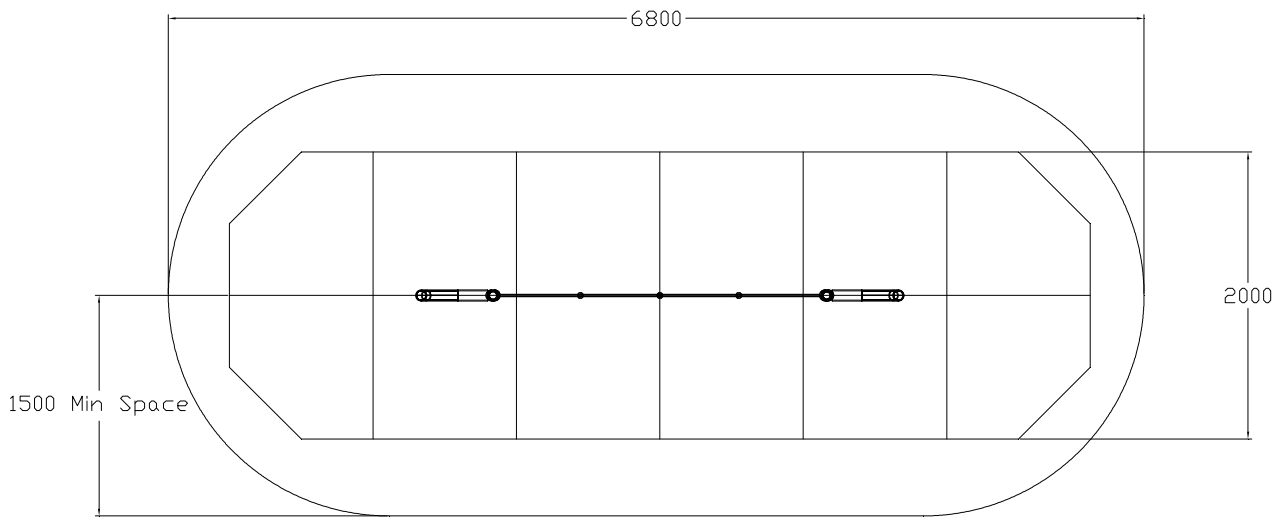
INSTALLATION INSTRUCTIONS

- 1 Read installation instructions through before commencing erection of unit.
- 2 Do NOT tighten fastenings until the unit is completely assembled.
- 3 Excavate foundations in accordance with details shown in foundation plan.
- 4 Place uprights in foundations and prop up in position.
- 5 Attach tie-bar, as shown in the installation instructions.
- 6 Ensuring uprights are plumb, square and are at correct heights and centre dimensions, backfill foundations with 0.41 cubic metres of concrete (0.29 for bark fixed).
- 7 Allow 48 hours drying time before fixing ropes.

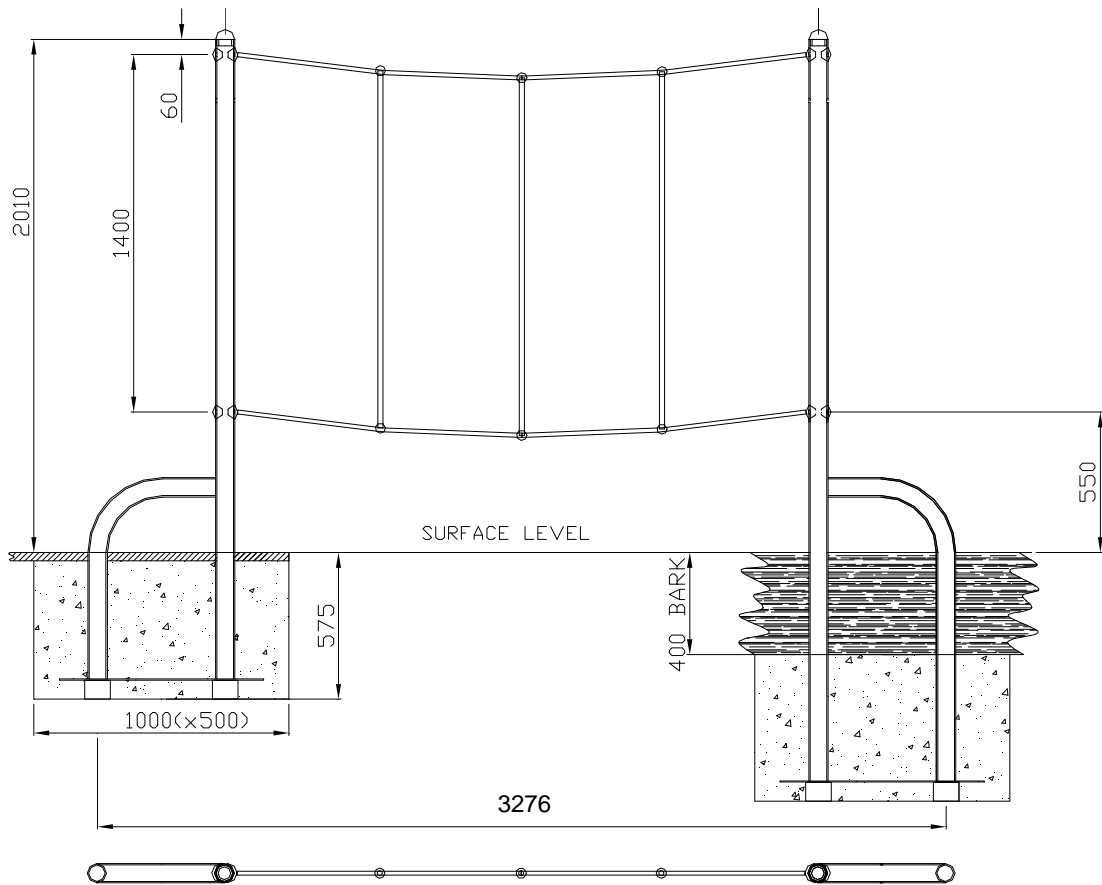
Note: All protruding screw threads to be peened over to remove sharp edges. Lifting aid may be required when installing this piece of equipment.

Note:-Ensure all installation aids are removed before first use.

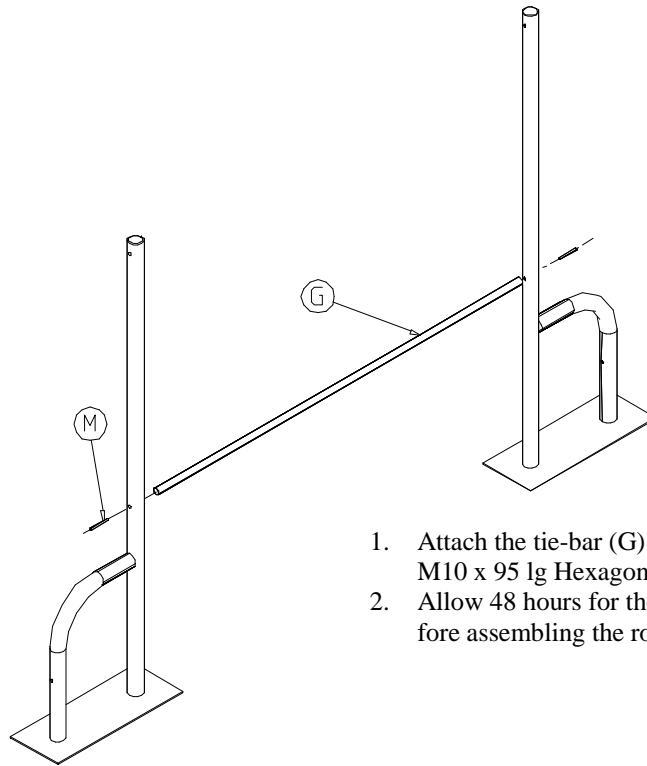
SURFACING & MINIMUM SPACE DETAIL



**FOUNDATION DETAIL (Ground and Bark Fixed details shown)
(Care must be taken under abnormal conditions)**

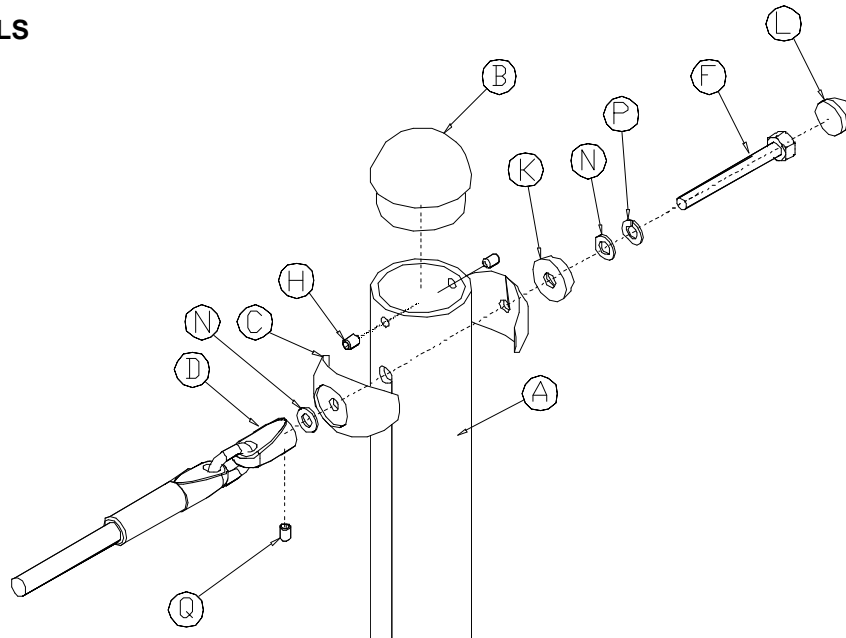


TIE-BAR FIXING DETAIL



1. Attach the tie-bar (G) to the up-rights using M10 x 95 lg Hexagon Bolt (M).
2. Allow 48 hours for the concrete to set before assembling the ropes as detailed.

FIXING DETAILS



1. Fit ropes to uprights using aluminium clamps (C), M10 x 120 Hexagon Head Bolt (F) M10 Washers (N), M10 Spring Washer (P), Dome Cap (Base) (K) and Dome Cap (Top) (L).
2. Ensure M6 grub screw (Q) is fitted after tightening M10 x 120 Hexagon Head Screw
3. Fit aluminium end cap (B) into top of uprights and secure using M8 x 12 lg cone end grub screws (H).
4. Ensure plastic plugs are fitted into holes that are not used.

Note:-All spare parts are available from Wicksteed Leisure on request.

REF	QTY	DESCRIPTION	PART No
A	2	High Upright assembly	70350
B	2	Aluminium End Cap	3711-002
C	8	Aluminium Clamp	3711-028
D	2	Parallel Rope Assembly	70344-01
F	4	M10 x 120 lg Hexagon Bolt	2185-047
G	1	Tie-bar assembly	70344-02
H	4	M8 x 12 Lg Cone End Grub Screw	2171-115
K	4	Dome Cap (Base Only)	2611-029
L	4	Dome Cap (Top Only)	2611-029
M	2	M10 x 95 lg Hexagon Bolt	2185-045
N	8	M10 Washer	2215-508
P	4	M10 Spring Washer	2212-203
Q	4	M6 x 6 Lg Grub Screw	2171-101
	2	M10/M12 Pentagon Wrench	2372-008
For bark fixed units replace item A with:			
	2	High Upright assembly—Bark Fixed	70450

For maintenance instructions see separate sheet.

COMPILED: P.Godfrey	APPROVED :	REV	NEW	1	2	3	4
		ECN	1381	1401	1417	1474	minor
DATE: 30/5/01	DATE:	SIG.	SCJ	MH	PG	SB	TW
		DATE.	04/6/01	04/03/02	5/12/02	16/05/04	08/04/08
		5	6				
		minor	1598				
		TE	TE				
		06/10/08	25/05/10				

DESPATCH LIST

Sheet 1 of 1

Product: Rope Causeway Code No. 70344

Date of Issue: 04/06/2001

Order No:

Issue: D

Item	Unit Qty	Description	Part No.	Checked
1	2	High Upright	70350	
2	1	Parallel Rope Assembly	70344-01	
3	1	Tie-bar assembly (2200 lg)	70344-02	
4	1	Fixings Pack		
		Item 3 (Tie-Bars) are not to be painted,		
		shot-blasted or galvanised.		

Total No. of Items

Picked By:

Checked By:

COMPILED BY: SCJ	REV	NEW	1	2	3	4	5
	ECN No.	1381	1401	minor	1417	1474	minor
DATE: 04/06/2001	DATE	04/06/01	04/03/02	3/5/02	9/12/02	15/06/2004	08/12/2009
	SIGN	SCJ	MH	PG	PG	SB	TE

FIXINGS LIST

Sheet 1 of 1

Product: Rope Causeway Code No. 70344

Date of Issue: 04/06/2001

Order No:

Issue: C

Item	Unit Qty	Description	Part No.	Checked
1	2	Aluminium End Cap*	3711-002	
2	8	Aluminium Clamp	3711-028	
3	4	M10 Hexagon Head Bolt x 120 Lg	2185-045	
4	4	M8 x 12 Lg Cone End Grub Screw*	2171-115	
5	2	M10 Hexagon Head Bolt x 95 Lg	2185-047	
6	4	Dome Cap (Base Only)	2611-029	
7	4	Dome Cap (Top Only)	2611-029	
8	4	M6 x 6 Lg Cone End Grub Screw	2171-101	
9	8	M10 Washer	2215-508	
10	4	M10 Spring Washer	2212-203	
11	2	M10/M12 Pentagon Key	2372-008	
		* Fitted prior to despatch		

Total No. of Items

Picked By:

Checked By:

COMPILED	REV	NEW	1	2	3	4	5
BY: SCJ	ECN No.	1381	1401	minor	1417	minor	minor
DATE: 04/06/2001	DATE	04/06/01	04/03/02	3/5/02	9/12/02	02/04/04	01/09/2008
	SIGN	SCJ	MH	PG	PG	PK	SB

DESPATCH LIST

Product: Rope Causeway - Bark Fix Code No. 70444

Date of Issue: 04/06/2001

Order No: _____

Issue: D

Item	Unit Qty	Description	Part No.	Checked
1	2	High Upright - Bark Fix	70450	
2	1	Parallel Rope Assembly	70344-01	
3	1	Tie-bar assembly (2200 lg)	70344-02	
4	1	Fixings Pack		
		Item 3 (Tie-Bars) are not to be painted,		
		shot-blasted or galvanised.		

Total No. of Items

Picked By: _____

Checked By: _____

COMPILED	REV	NEW	1	2	3	4	5
BY: SCJ	ECN No.	1381	1401	minor	1417	1474	minor
DATE: 04/06/2001	DATE	04/06/01	04/03/02	3/5/02	9/12/02	15/06/2004	08/12/2009
	SIGN	SCJ	MH	PG	PG	SB	TE

FIXINGS LIST

Product: Rope Causeway - Bark Fix Code No. 70444

Date of Issue: 04/06/2001

Order No: _____

Issue: C

Item	Unit Qty	Description	Part No.	Checked
1	2	Aluminium End Cap*	3711-002	
2	8	Aluminium Clamp	3711-028	
3	4	M10 Hexagon Head Bolt x 120 Lg	2185-045	
4	4	M8 x 12 Lg Cone End Grub Screw*	2171-115	
5	2	M10 Hexagon Head Bolt x 95 Lg	2185-047	
6	4	Dome Cap (Base Only)	2611-029	
7	4	Dome Cap (Top Only)	2611-029	
8	4	M6 x 6 Lg Cone End Grub Screw	2171-101	
9	8	M10 Washer	2215-508	
10	4	M10 Spring Washer	2212-203	
11	2	M10/M12 Pentagon Key	2372-008	
		* Fitted Before Despatch		

Total No. of Items

Picked By: _____

Checked By: _____

COMPILED	REV	NEW	1	2	3	4	5
BY: SCJ	ECN No.	1381	1401	minor	1417	minor	minor
DATE: 04/06/2001	DATE	04/06/01	04/03/02	3/5/02	9/12/02	05/04/04	01/09/08
	SIGN	SCJ	MH	PG	PG	PK	SB