

FANTASY FUN RUN

WALK THE PLANK

PROD CODE:	70342(70442) 70432 Bark Fix
SIZE:	3076 x 1400 x 826
AGE RANGE:	5 - 16 years
FREE FALL HEIGHT:	< 600mm
WEIGHT OF HEAVIEST PART	17 Kg
OVERALL WEIGHT OF UNIT	75 Kg

DELIVERY LIST

Part No.	Description	Qty
70339	Low Upright assembly	4
70342-05	Plank Support Assembly	4
70342-06	Hand-Rail Assembly	2
	Plank c/w Support Assemblies	1
70341-04	Tie-bar assembly (Disposable)	4
	Fixings Pack	

For bark fixed units replace part no. 70339 with 70439

SPECIFICATION

Unit is fabricated from mild steel plate to BS 1449, mild steel tubing to BS 1387.
Caps and clamp fixings are produced from LM6M aluminium.
Ropes are made from braided nylon with aluminium joints.
All metal components will be protected with low lead powder paint.

INSTALLATION INSTRUCTIONS

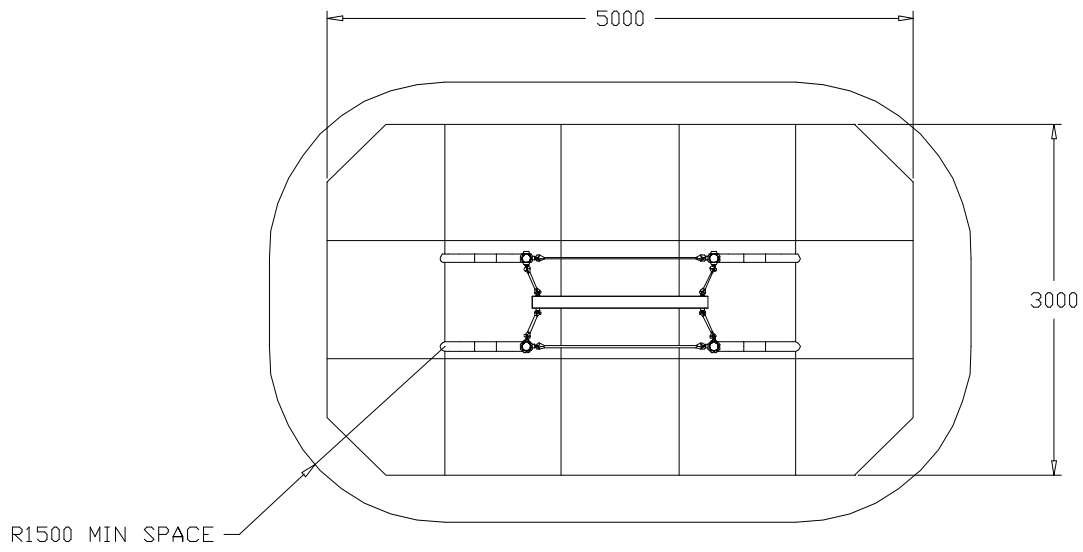
- 1 Read installation instructions through before commencing erection of unit.
- 2 Do NOT tighten fastenings until the unit is completely assembled.
- 3 Excavate foundations in accordance with details shown in foundation plan.
- 4 Attach above and below ground tie-bars, as shown in the installation instructions.
- 5 Place uprights in foundations and prop up in position.
- 6 Ensuring uprights are plumb, square and are at correct heights and centre dimensions, backfill foundations with 0.7 cubic metres of concrete.
- 7 Allow 48 hours drying time before fixing ropes.

Note: M8 bolts to be torqued to 18 Nm (13 lbft.). M10 bolts to be torqued to 34 Nm (25 lbft)
M12 bolts to be torqued to 55 Nm (40 lbft). All protruding screw threads to be peened over to remove sharp edges. Lifting aid may be required when installing this piece of equipment.

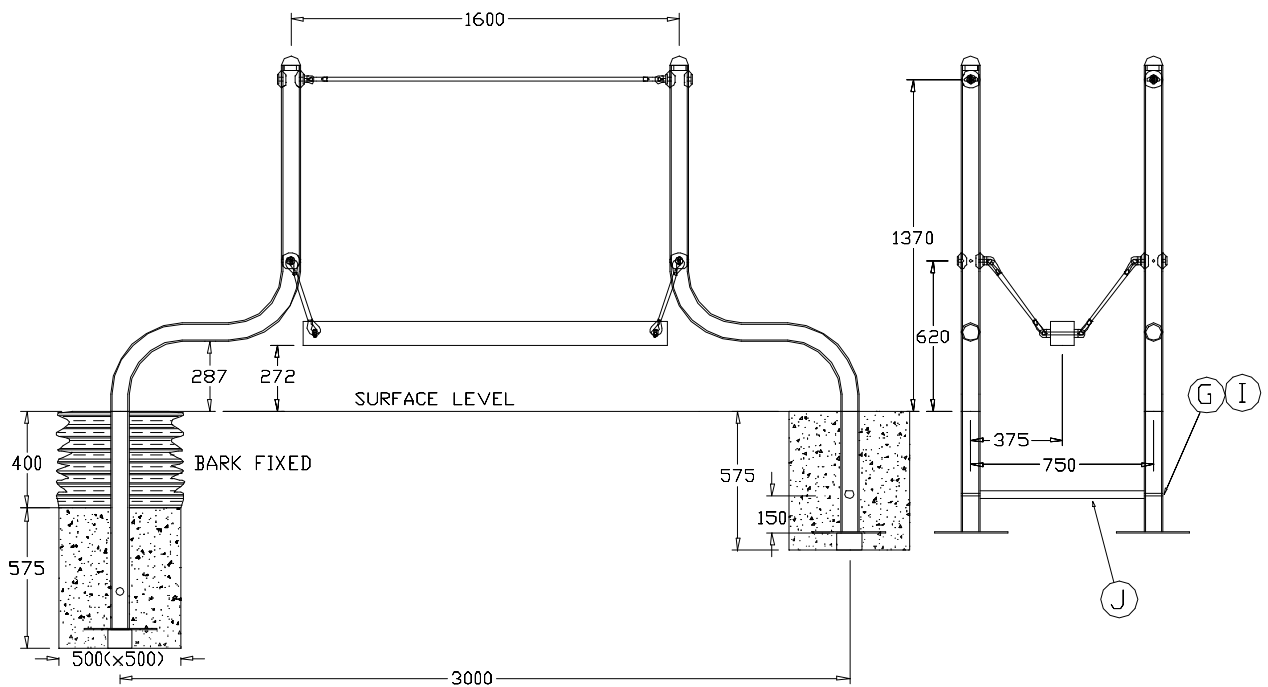
Note:-Ensure all installation aids are removed before first use.



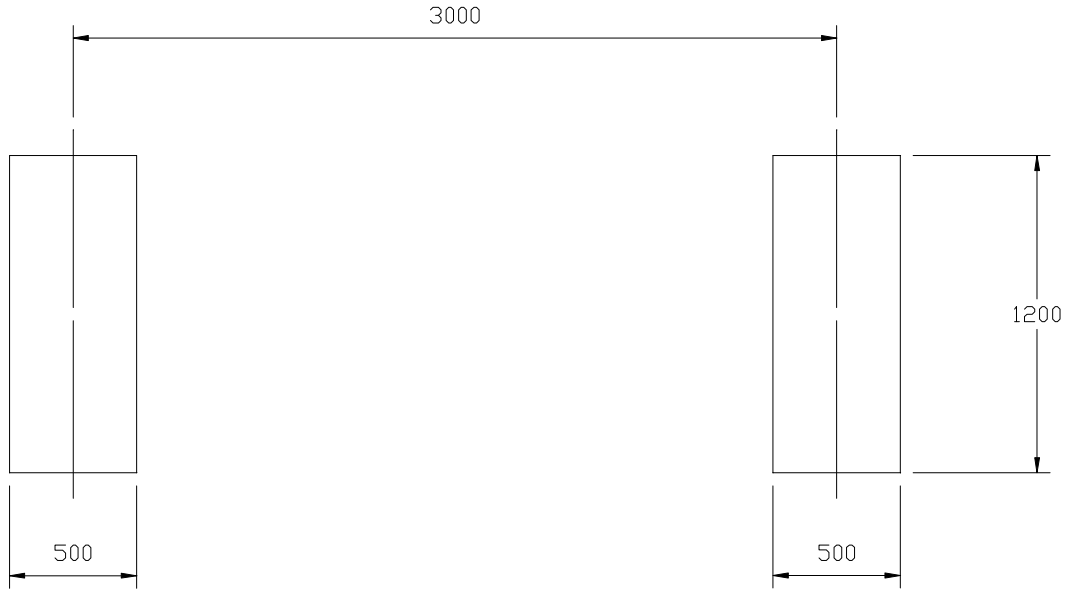
SURFACING & MINIMUM SPACE DETAIL



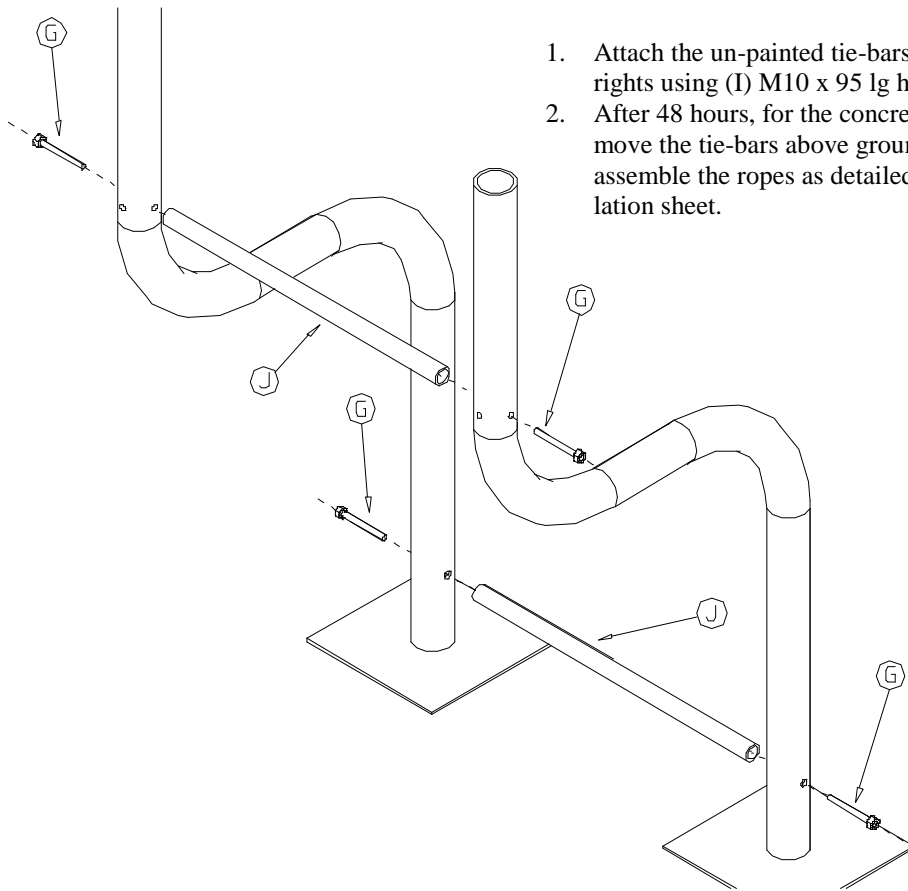
**FOUNDATION DETAIL (Ground and Bark Fixed details shown)
(Care must be taken under abnormal conditions)**



FOUNDATION PLAN DETAIL

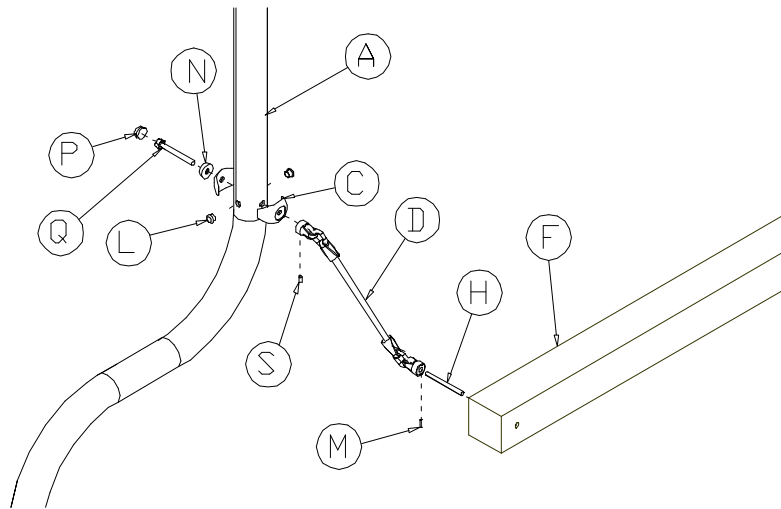


TIE-BAR FIXING DETAIL



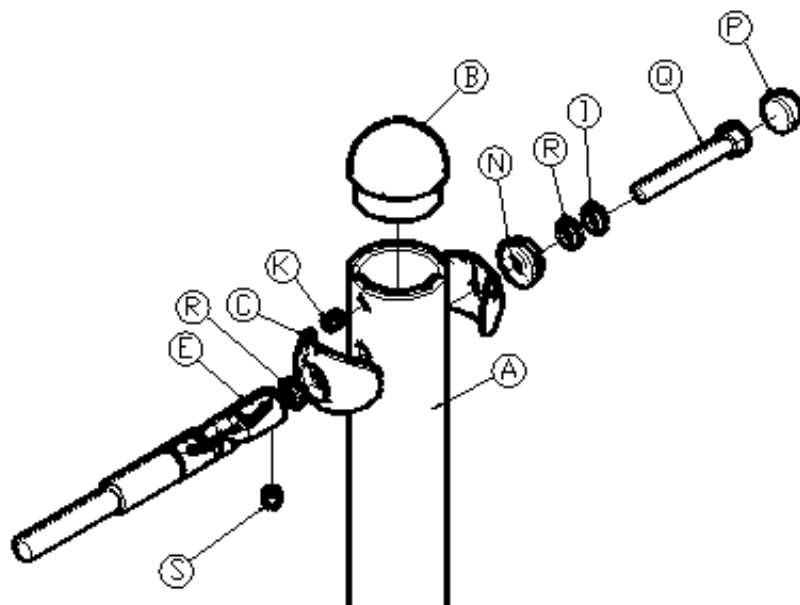
1. Attach the un-painted tie-bars (G) to the uprights using (I) M10 x 95 lg hexagon bolts.
2. After 48 hours, for the concrete to set, remove the tie-bars above ground level and assemble the ropes as detailed in the installation sheet.

PLANK SUPPORT - FIXING DETAILS



1. Insert M10 x125 LG studding into the allocated holes at either end of the Plank. Once in place, Screw one end of each of the supports to the studding (H) 4 places.
2. Fit Plank supports to uprights by using aluminium clamps (C), M10 x 120 hex bolt (Q) Dome Cap (Base) (N) & Dome Cap (Top) (P).
3. Ensure Grub Screw (S) is fitted to eye nut when M10 x 120 hex bolt is fully tightened.
4. Fit plastic plugs into holes that are not used. (L)
5. Note:- plank will be supplied complete with support assemblies fitted.

ROPE & TOP CAP FIXING DETAILS




1. Fit ropes to uprights using aluminium clamps (C), M10 x 120mm Hex Bolt (Q), M10 Washers (R), M10 Spring Washer (I) Dome Cap (Base) (N) and Dome Cap (Top) (P)
2. Fit aluminium end cap (B) into top of uprights and secure using M8 x 12 lg cone end grub screws (K).

Note:-All spare parts are available from Wicksteed Leisure on request.

REF	QTY	DESCRIPTION	PART No
A	4	Low Upright assembly	70339
B	4	Aluminium End Cap	3711-002
C	16	Aluminium Clamp	3711-028
D	4	Plank Support Assembly	70342-05
E	2	Handrail Assembly	70342-06
F	1	Plank	70342-03
G	8	M10 x 95 Lg Hexagon Bolt	2185-045
H	2	M10 x 130 LG Studding	70342-04
I	4	M10 Spring Washer	2212-203
J	4	Tie-bar ass. Above & below ground (un-painted 674lg)	70341-04
K	8	M8 x 12 Lg Grub Screw	2171-115
L	8	Dia. 12mm Plastic Insert	2611-017
M	4	Sellock Pin	2223-010
N	12	Dome Cap (Base)	2611-029
P	8	Dome Cap (Top)	2611-029
Q	8	M10 x 120 Lg Hexagon Bolt	2185-047
R	8	M10 Washer	2215-508
S	8	M6 x 6 Lg Grub Screw	2171-101
	2	M10/M12 Pentagon Wrench	2372-008
For bark fixed units replace item A with:			
	2	Low Upright assembly—Bark Fixed	70439

For maintenance instructions see separate sheet.

	COMPILED:	APPROVED :	REV	5				
	P.Godfrey		ECN	Minor				
	DATE:	DATE:	SIG.	DB				
	30/5/01		DATE.	08/09/14				

