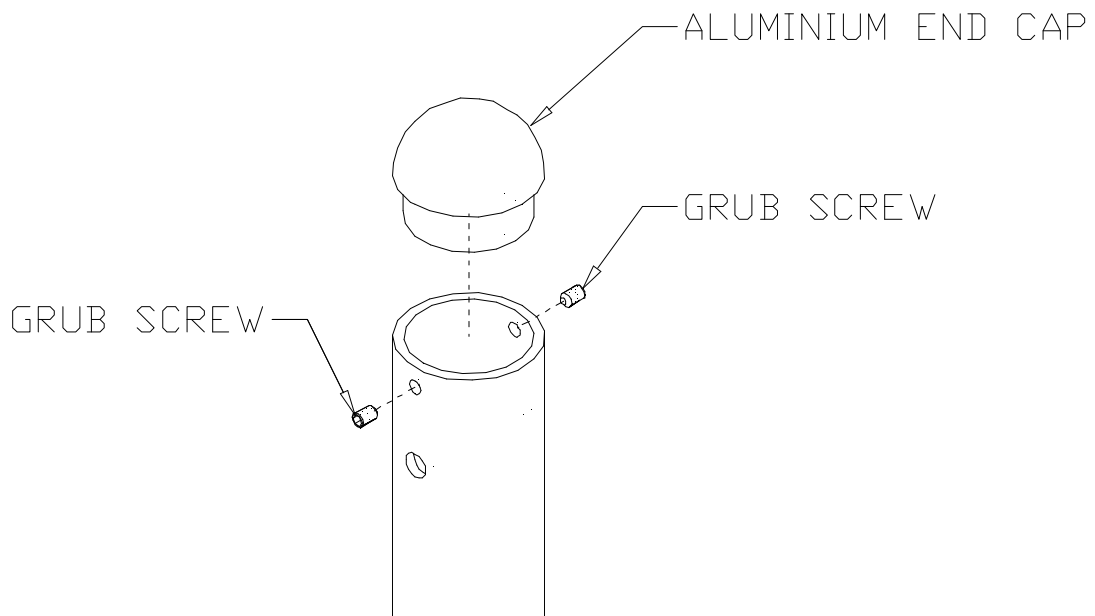
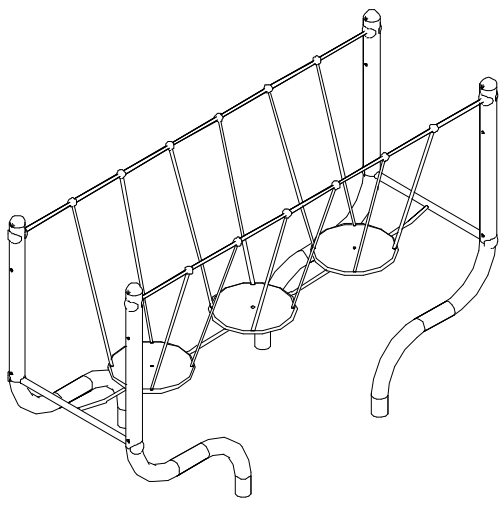


ADDENDUM

END CAP FIXING DETAILS



Fit aluminium end cap into end of uprights and secure using two M8 x 12 lg cone end grub screws.



FANTASY FUN RUN

STEPPING STONE GORGE

PROD CODE:	70341 70441 Bark Fix
SIZE:	2384 x 858
AGE RANGE:	5 - 16
FREE FALL HEIGHT:	< 600mm
WEIGHT OF HEAVIEST PART	17 Kg
OVERALL WEIGHT OF UNIT	80 Kg

DELIVERY LIST

Part No.	Description	Qty
70339	Low Upright assembly	4
70341-05	Net Assembly complete	1
70347-04	Cross Member (655 lg)	2
70341-04	Below ground tie-bar assembly (674 lg)	2
	Fixings Pack	
For bark fixed units replace part no. 70339 with 70439		

SPECIFICATION

Unit is fabricated from mild steel plate to BS 1449, mild steel tubing to BS 1387.
Caps and clamp fixings are produced from LM6M aluminium.
Ropes are made from braided nylon with aluminium joints.
All metal components will be protected with low lead powder paint.

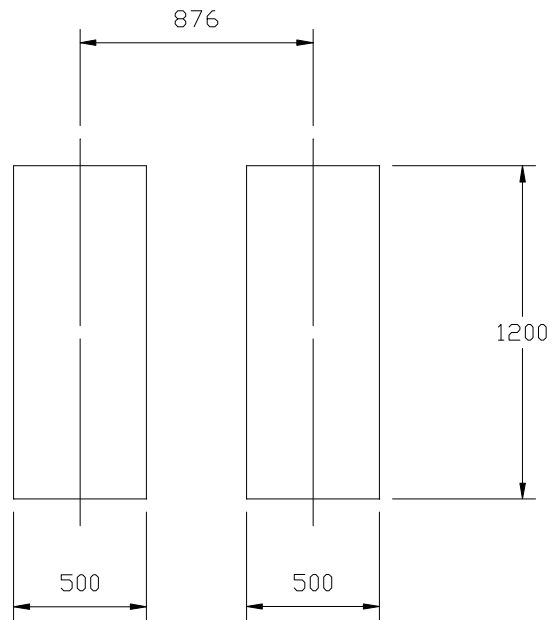
INSTALLATION INSTRUCTIONS

- 1 Read installation instructions through before commencing erection of unit.
- 2 Do NOT tighten fastenings until the unit is completely assembled.
- 3 Excavate foundations in accordance with details shown in foundation plan.
- 4 Attach below ground tie-bars, as shown in the installation instructions.
- 5 Place uprights in foundations and prop up in position.
- 6 Ensuring uprights are plumb, square and are at correct heights and centre dimensions, backfill foundations with 0.7 cubic metres of concrete.
- 7 Allow 48 hours drying time before fixing ropes.

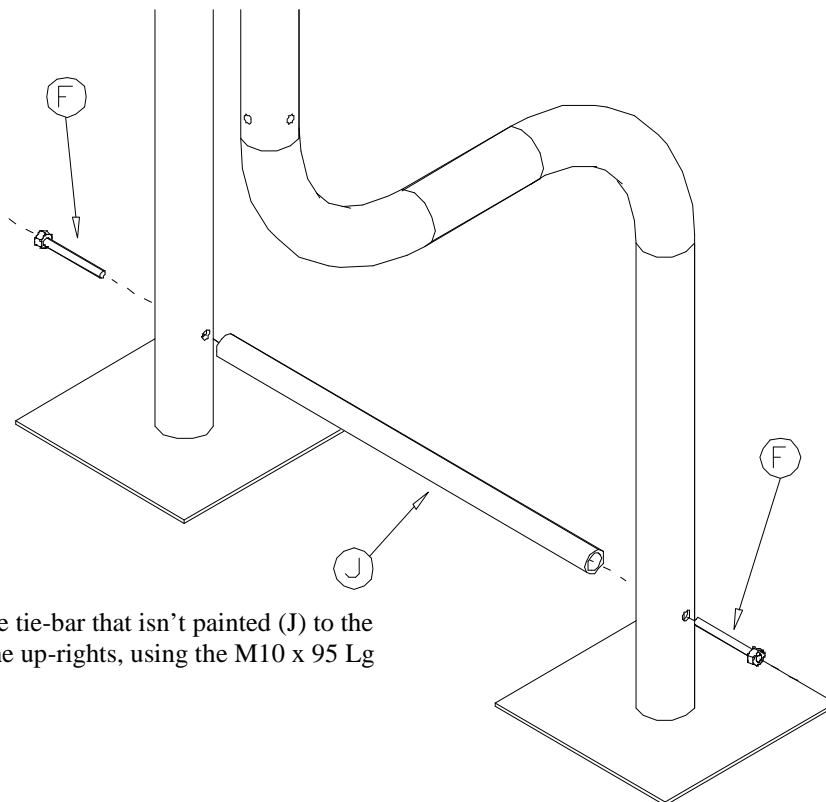
Note: M8 bolts to be torqued to 18 Nm (13 lbft.). M10 bolts to be torqued to 34 Nm (25 lbft)
M12 bolts to be torqued to 55 Nm (40 lbft). All protruding screw threads to be peened over to remove sharp edges. Lifting aid may be required when installing this piece of equipment.

Note:-Ensure all installation aids are removed before first use.

FOUNDATION PLAN DETAIL



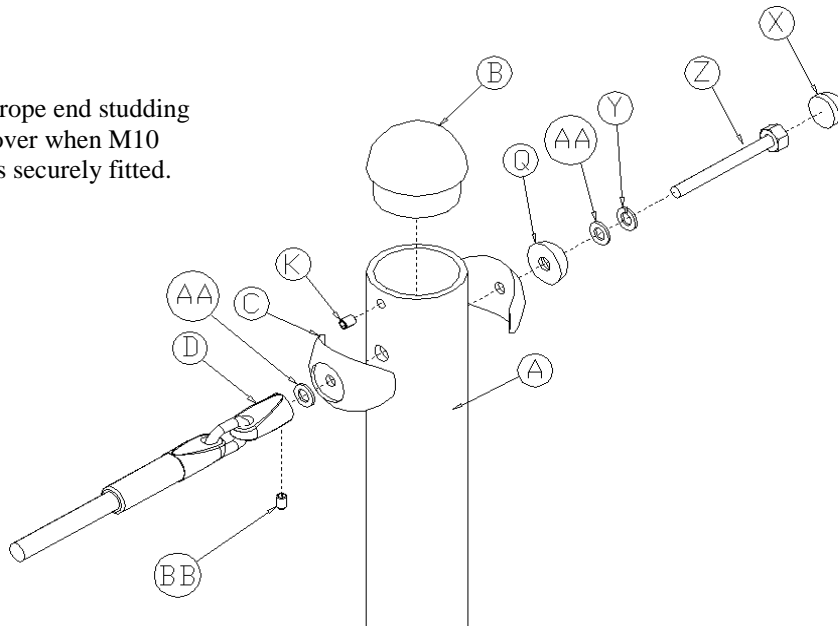
BELOW GROUND TIE-BAR ASSEMBLY



1. Attach the tie-bar that isn't painted (J) to the base of the up-rights, using the M10 x 95 Lg Bolt (F).

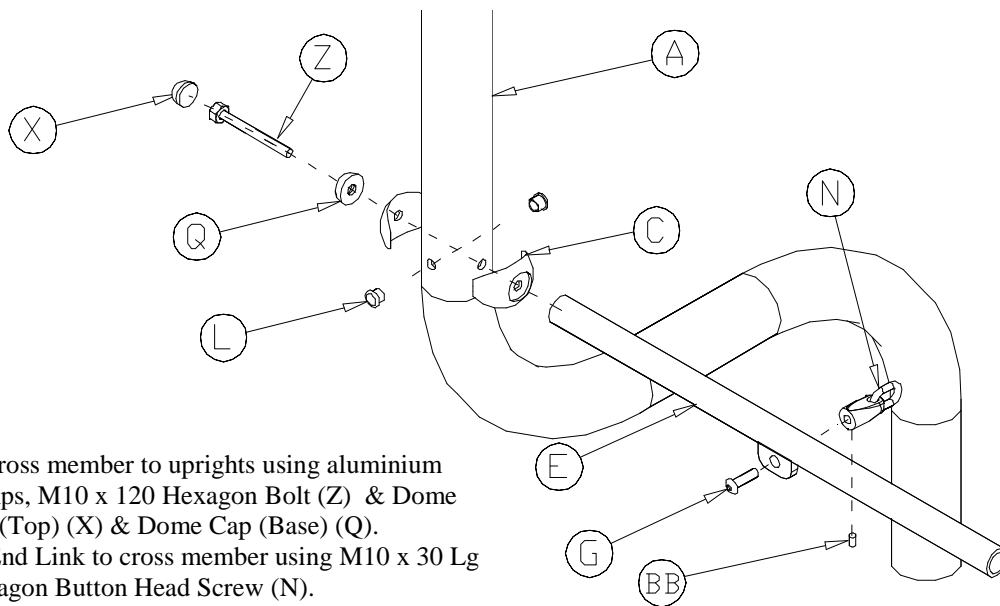
ROPE & TOP CAP FIXING DETAILS

Note – Ensure rope end studding (D) is peened over when M10 Binx Nut (Y) is securely fitted.



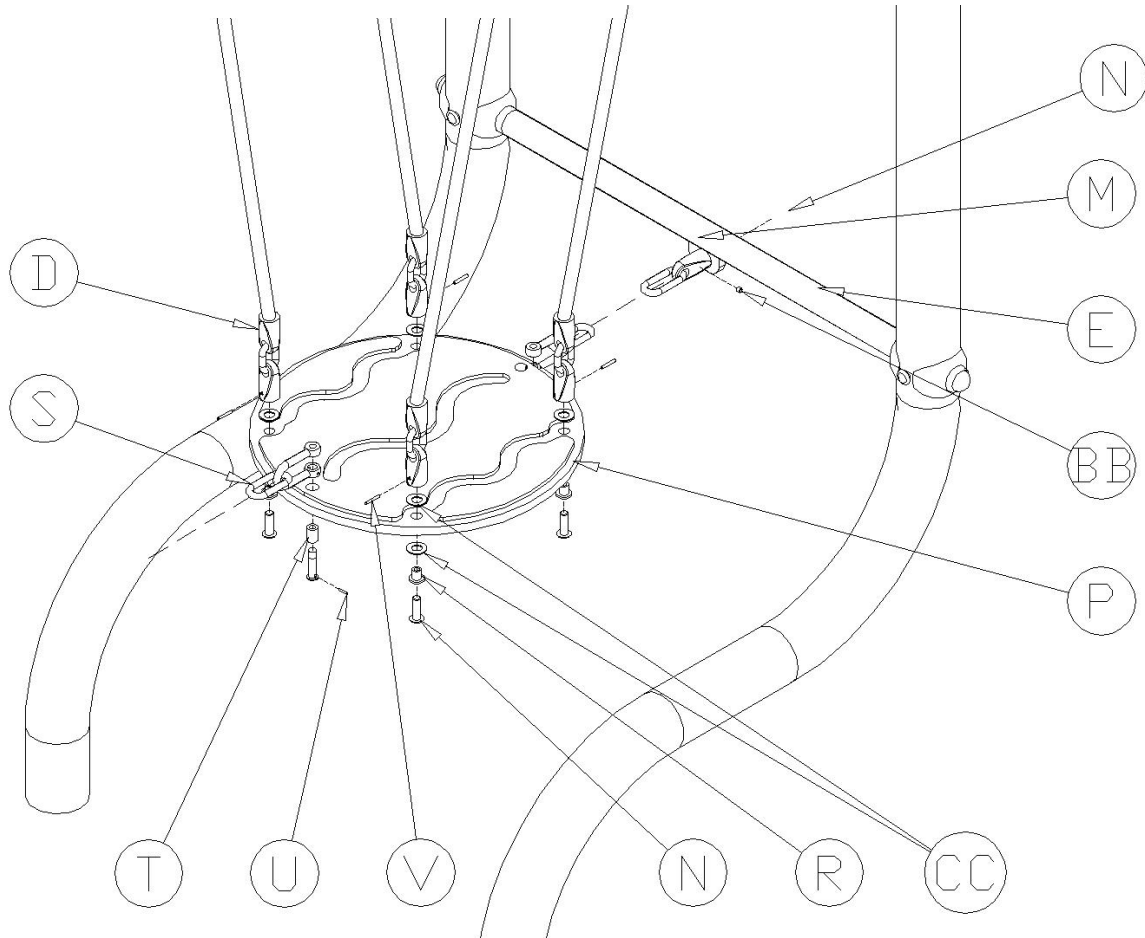
1. Fit ropes to uprights using aluminium clamps (C), Dome Cap (Top) (X), M10 Washer (AA) Dome Cap (Base) (Q) M10 x 120 Hex Bolt (Z) & M10 Spring Washer (Y).
2. Fit aluminium end cap (B) into top of uprights and secure using M8 x 12 lg cone end grub screw (K).

ROPE & CROSS MEMBER FIXING DETAILS



1. Fit cross member to uprights using aluminium clamps, M10 x 120 Hexagon Bolt (Z) & Dome Cap (Top) (X) & Dome Cap (Base) (Q).
2. Fit End Link to cross member using M10 x 30 Lg Pentagon Button Head Screw (N).
3. Ensure M6 grub screw (BB) is fitted after tightening M10 x 40 Pentagon Button Head Screw (G).
4. Fit plastic plugs (L) into holes that are not used.

Rope and Stepping Stone Fixing detail



The Rope Assembly (D) attaches to the Stepping Stone (P) by using the four outer holes on the Stepping Stone with M10 x 30 Pentagon Button Head Screw (N), AL1013 Flange Bush (R), two M12 Washers (CC) and 1/8" x 7/8" Sellock Pin (V).

The End Link Assy (M) to the Cross Member (E) using M10 x 30 Pentagon Button Head Screw (N) and M6 x 6 Grub Screw (BB).


Fit Link Assy's (S) to Stepping Stones (P) using Shackle Pin on Link Assy, FGH401 Oilite Bush (T) and 1/8" x 5/8" Sellock Pin (U).

These fitting instructions are for spares requirements only.

Note:-All spare parts are available from Wicksteed Leisure on request.

REF	QTY	DESCRIPTION	PART No
A	4	Low Upright assembly	70339
B	4	Aluminium End Cap	3711-002
C	16	Aluminium Clamp	3711-028
D	2	Stepping Stone Gorge Rope Assembly	70341-05
E	2	Cross Member (655 lg)	70347-04
F	4	M10 x 95 Lg Hexagon Bolt	2185-045
J	2	Below ground tie-bar assembly (Un-painted 674 lg)	70341-04
K	8	M8 x 12 Lg Cone End Grub Screw	2171-115
L	8	Dia. 12mm Plastic Insert	2611-017
M	4	End Link Assy	70341-06
N	14	M10 x 30 Lg Pentagon Button Head Screw	2176-132
P	3	Stepping Stone	70341-08
Q	8	Dome Cap (Base Only)	2611-029
R	12	AL1013 Flange Bush	2511-014
S	2	Mid Link Assy	70341-07
T	6	FGH401 Oilite Bush	2511-016
U	6	Sellock Pin (1/8" x 5/8" Lg)	2223-023
V	12	Sellock Pin (1/8" x 7/8" Lg)	2223-009
W	4	Link Assy Sheath	70341-09
X	8	Dome Cap (Top Only)	2611-029
Y	4	M10 Spring Washer	2212-203
Z	8	M10 x 120 Lg Hexagon Bolt	2185-047
AA	8	M10 Washer	2215-508
BB	6	M6 x 6 Lg Grub Screw	2171-101
CC	24	M12 Washer	2215-509
	2	M10/M12 Pentagon Wrench	2372-008
		For bark fixed units replace item A with:	
	4	Low Upright assembly—Bark Fixed	70439

For maintenance instructions see separate sheet.

	COMPILED:	APPROVED :	REV	NEW	1	2	3	4
	P.Godfrey		ECN	1381	1401	1407	1417	minor
	DATE:	DATE	SIG.	SCJ	MH	PG	PG	SB
	30/5/01		DATE.	30/5/01	26/02/02	15/4/02	26/11/02	14/03/03
		5	6	7	8	9	10	
	minor	minor	minor	minor	Minor	minor		
	SB	SB	TE	TE	MC	PG		
	31/08/06	17/08/07	06/10/08	03/08/09	24/03/10	10/2/14		



FIXINGS LIST

FANTASY FUN RUN

Product : STEPPING STONE GORGE 06/06/2001

Code No: 70341 Issue: D

Item	Unit Qty.	Description	Part No.
1	16	CLAMP	3711-028
2	8	GRUB SCREW M8 x 12LG	2171-115
3	8	M10 x 120 LG HEXAGON BOLT	2185-047
4	4	M10 x 95 LG HEXAGON BOLT	2185-045
5	4	END CAP *	3711-002
7	8	M12 PLASTIC INSERTS *	2611-017
8	14	M10 x 30 LG PENT BTN HD SCREW *	2176-132
9	12	FLANGE BUSH *	2511-014
10	6	OILITE BUSH *	2511-016
11	6	SELLOCK PIN (1/8" x 5/8") *	2223-023
12	12	SELLOCK PIN (1/8" x 7/8") *	2223-009
13	8	DOME CAP (BASE ONLY)	2611-029
14	8	DOME CAP (TOP ONLY)	2611-029
15	4	M10 SPRING WASHER	2212-203
16	8	M10 WASHER	2215-508
17	6	GRUB SCREW M6 x 6LG	2171-101
18	2	M10/M12 PENTAGON KEY	2372-008
19	24	M12 WASHER *	2215-509
		ALL ITEMS MARKED * TO BE FITTED BEFORE	
		DESPATCH	

TOTAL No. OF ITEMS

PICKED BY.....

CHECKED BY.....

COMPILED BY: SCJ	REV:	NEW	1	2	3	4	5	6
	ECN No.:	1381	1401	minor	1417	minor	minor	minor
DATE: 06/06/01	DATE:	06/06/01	26/02/02	05/03/02	11/20/02	08/30/06	08/17/07	09/01/08
	SIGN:	SCJ	MH	PG	PG	SB	SB	SB
		6	7	8				
		minor	minor	minor				
		08/03/09	24/03/10	11/02/2014				
		TE	MC	PG				