

DELIVERY LIST		
Part No.	Description	Qty
70338-01	Stanchion/Handrail Assy.	2
70338-03	Board	1
70338-05	Suspension unit	1
	Fixings Pack.	1
For bark fixed units replace part no. 70338-01		

EXERCISE TRAIL	
SNOWBOARD	
PROD CODE: Ground	70338
PROD CODE: Bark Fix	70438
SIZE:	1030 x 1200 x 990
AGE RANGE:	5 -16 years
CRITICAL FALL HEIGHT	<600
WEIGHT OF HEAVIEST PART	15 Kg
OVERALL WEIGHT OF UNIT	40 Kg

SPECIFICATION

Hand Rails: Fabricated from 25 nominal bore medium gauge steel tube to BS 1387.
 Plank: Made from selected hardwoods.
 Other Steel: To be manufactured from steel to BS 970 part 1 (1983).
 Finish: Low lead polyester powder paint to BS EN71 part 3 (1995)
 Welds: Copper free wire conforming to 2901 AIB for mild steel.

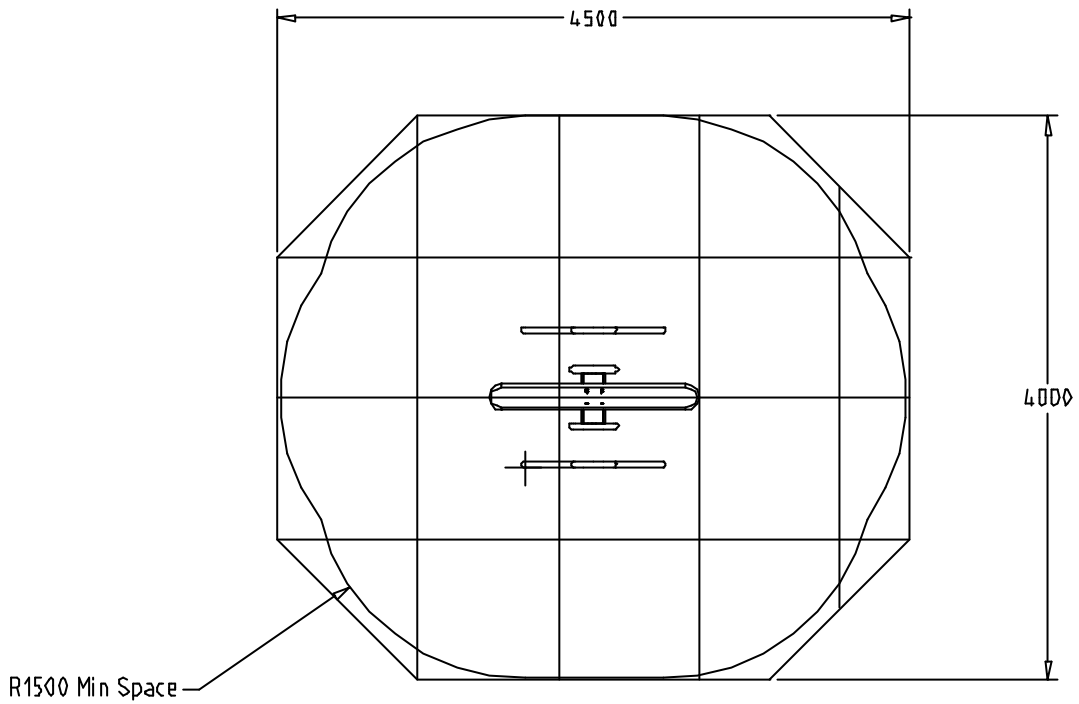
INSTALLATION INSTRUCTIONS

- 1 Read installation instructions through before commencing erection of unit.
- 2 Do NOT tighten fastenings until the unit is completely assembled.
- 3 Excavate foundations in accordance with details shown in foundation plan.
- 4 Place uprights in foundations and prop up in position.
- 5 Ensuring uprights are plumb, square and are at correct heights and centre dimensions, backfill foundations with 0.486 cubic metres of concrete.

Note: All protruding screw threads to be peened over to remove sharp edges.

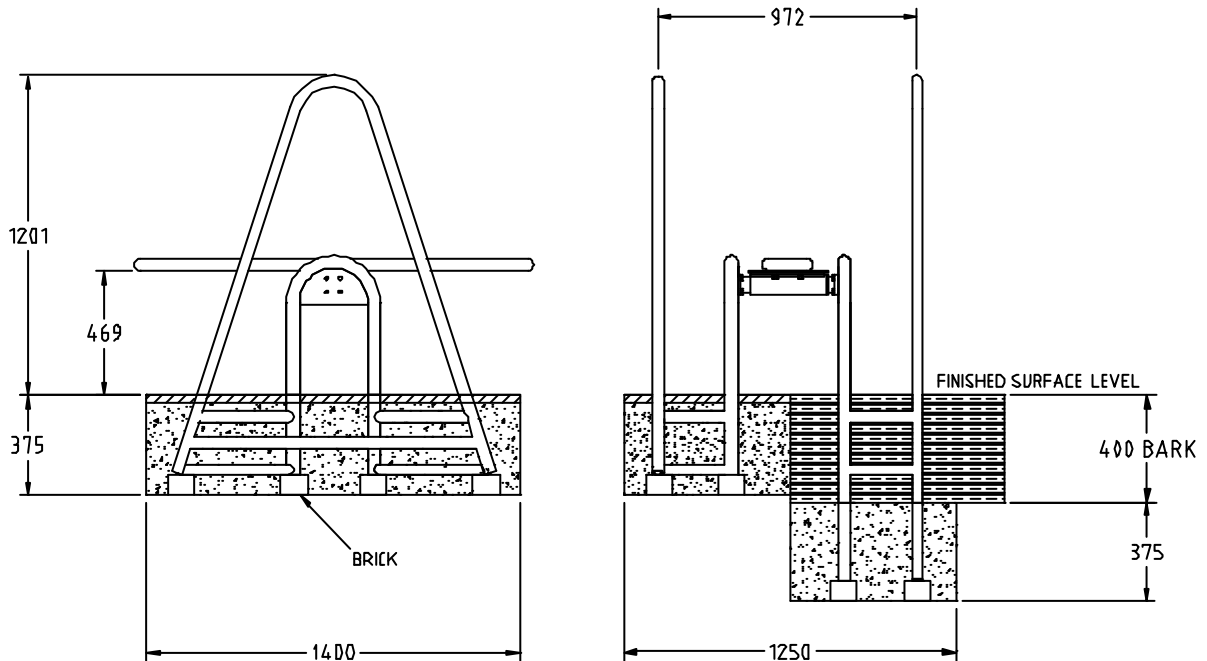
Note:-Ensure all installation aids are removed before first use.

SURFACING & MINIMUM SPACE DETAIL

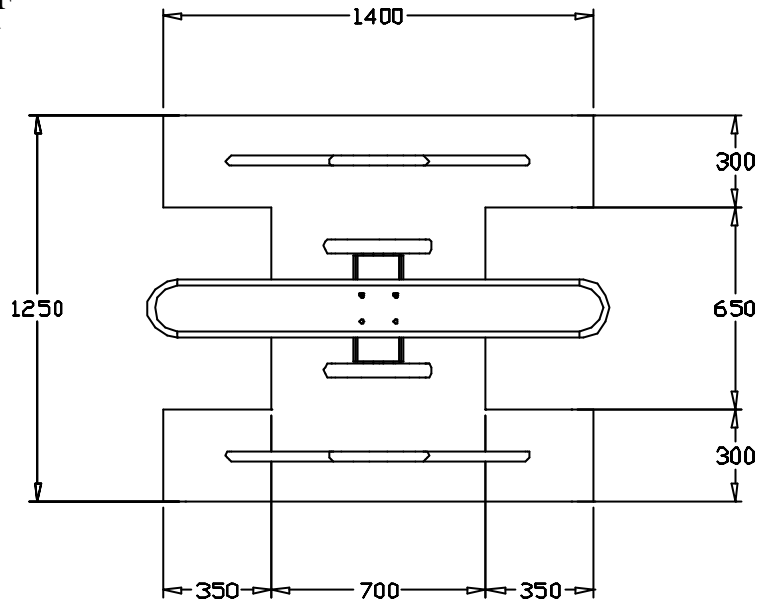


FOUNDATION DETAIL

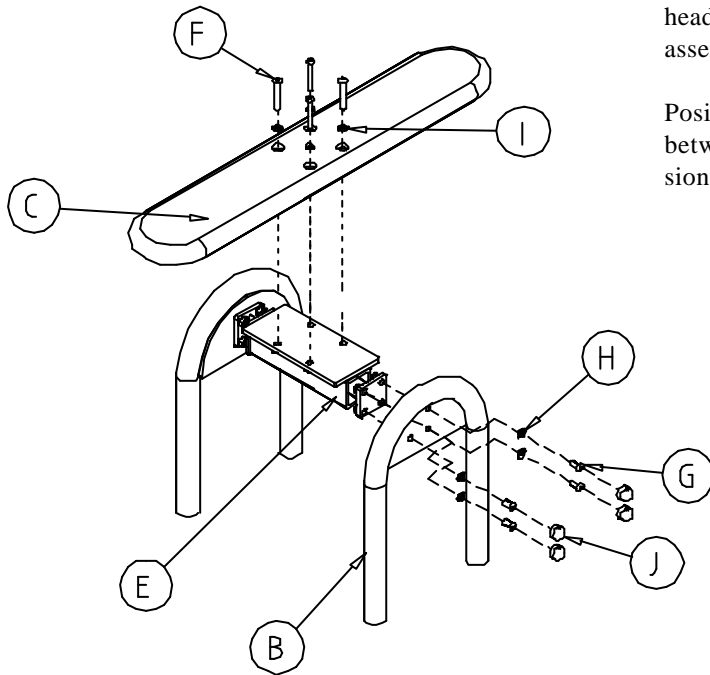
(Care must be taken under abnormal conditions)



**PLAN VIEW OF
FOUNDATION**



FIXING DETAILS



When attaching the suspension assembly to the stanchions, carefully align and use M12x30 hexagon head screws. Fit protection caps to hexagon heads.

Ensure Rite-Loc is applied to M12 x 30 hex head screws and protective cap before final assembly.

Position the suspension unit cover centrally between the stanchions on top of the suspension unit.

Finally position the board on to the suspension unit. Using M12 x 70 Pentagon Button Head Screws, secure the plank to the suspension unit bolting through the plank and suspension unit cover. Take care not to over tighten.

REF.	QTY	DESCRIPTION	PART No
B	2	Stanchion/Handrail Assy.	70338-01
C	1	Board	70338-03
E	1	Suspension Unit Assy	70338-05
F	4	M12x70 Pentagon Button Head Screw	2176-181
G	8	M12x30 Hexagon Head Screw	2175-135
H	8	Spring Washer M12	2212-002
I	4	Flat Washer M12	2215-509
J	8	M12 Protection Cap	2613-016
	1	Adhesive (Rite-Loc TL71)	1811-003
For Bark Fixed change Stanchion/Handrail Part No. 70338-01 to			

Note:- Ensure all installation aids are removed before first use.
All spare parts are available from Wicksteed Leisure on request.
For maintenance details see separate sheet.

COMPILED:	APPROVED :	REV	NEW	1	2	3	4	5
S.C.J		ECN	1381	1401	minor	minor	1487	minor
DATE:	DATE:	SIG.	SCJ	MH	SB	SB	SB	TW
21/06/00		DATE.	19/06/01	12/03/02	15/07/03	08/09/03	18/02/04	21/2/06

DESPATCH LIST

Product: Fantasy Fun Run - Snowboard Code No. 70338

Date of Issue: 14/06/01

Order No: _____

Issue: E

Item	Unit Qty	Description	Part No.	Checked
1	2	Stanchion/Handrail Assembly	70338-01	
2	1	Suspension Unit Assembly	70338-05	
3	1	Board	70338-03	
4	1	Fixing Pack		

Total No. of Items

Picked By: _____

Checked By: _____

COMPILED	REV	New	1	2	3	4	5
BY: SCJ	ECN No.	1381	1401	Minor	Minor	Minor	1487
DATE: 14.06.01	DATE	14/06/01	03/12/02	03/05/02	16/07/03	08/09/03	21/02/05
	SIGN	SCJ	MH	PG	SB	SB	SB
	REV	6					
	ECN No.	Minor					
	DATE	22/02/06					
	SIGN	TW					

FIXINGS LIST

Product: Fantasy Fun Run - Snowboard Code No. 70338

Date of Issue: 14/06/01

Order No:

Issue: E

Item	Unit Qty	Description	Part No.	Checked
1	8	M12 x 30 Hex Head Screw	2175-135	
2	4	M12 x 70 Pent Button Head Screw	2176-181	
3	8	M12 Spring Washer	2212-002	
4	4	M12 Flat Washer	2215-509	
5	8	M12 Protective Cap	2613-016	
6	1	Rite-Lock Adhesive	1811-003	
7	2	M10/12 Pentagon Key	2372-008	

Total No. of Items

Picked By:

Checked By:

COMPILED	REV	New	1	2	3		
BY: SCJ	ECN No.	1381	1401	Minor	Minor		
	DATE	14/06/01	03/12/02	03/05/02	16/07/03		
DATE: 14.06.01	SIGN	SCJ	MH	PG	SB		

Form Revision 2



DESPATCH LIST

SNOW BOARD - BARK FIX
FANTASY FUN RUN

Sheet 1 of 1

Product :

14/06/2001

Code No:

70438

Issue: F

Item	Unit Qty.	Description	Part No.
1	2	STANCHION/HANDRAIL ASSEMBLY - BARK FIXED	70438-01
2	1	SUSPENSION UNIT ASSEMBLY	70338-05
3	1	BOARD	70338-03
4	1	FIXINGS PACK	

TOTAL No. OF ITEMS

PICKED BY.....

CHECKED BY.....

COMPILED BY: SCJ	REV:	NEW	1	2	3	4	5	6
	ECN No.:	1381	1401	minor	minor	minor	1487	minor
DATE: 14/06/2001	DATE:	14/06/01	03/12/02	03/05/02	16/07/03	08/09/03	21/02/05	22/02/06
	SIGN:	SCJ	MH	PG	SB	SB	SB	TW

Form Revision 2



FIXINGS LIST

FANTASY FUN RUN - BARK FIX

Sheet 1 of 1

Product : **SNOW BOARD** 14/06/2001

Code No: 70438 Issue: C

Item	Unit Qty.	Description	Part No.
1	8	M12 x 30 HEXAGONAL HEAD SCREW	2175-135
2	4	M12 x 70 PENT BUTTON HEAD SCREW	2176-181
3	8	M12 SPRING WASHER	2212-002
4	4	M12 FLAT WASHER	2215-509
5	8	M12 PROTECTIVE CAP	2613-016
6	1	RITE-LOCK ADHESIVE	1811-003
7	2	M10/M12 Pentagon Key	2372-008

TOTAL No. OF ITEMS

PICKED BY

CHECKED BY

COMPILED BY: SCJ DATE: 14/06/2001	REV:	NEW	1	2	3			
	ECN No.:	1381	1401	minor	minor			
	DATE:	14/06/01	03/12/02	03/05/02	16/07/03			
	SIGN:	SCJ	MH	PG	SB			