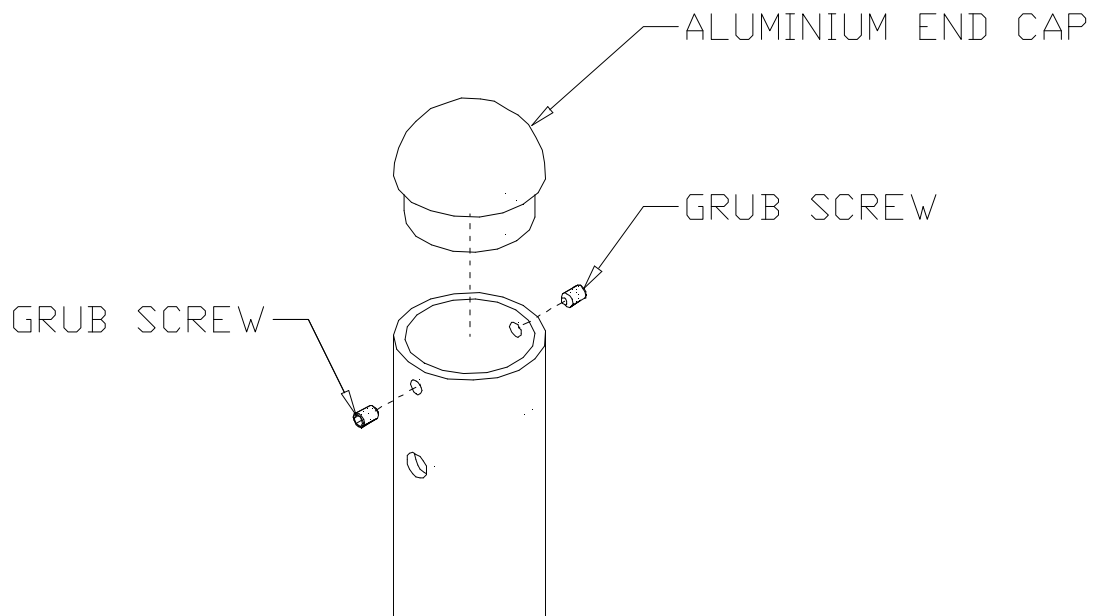
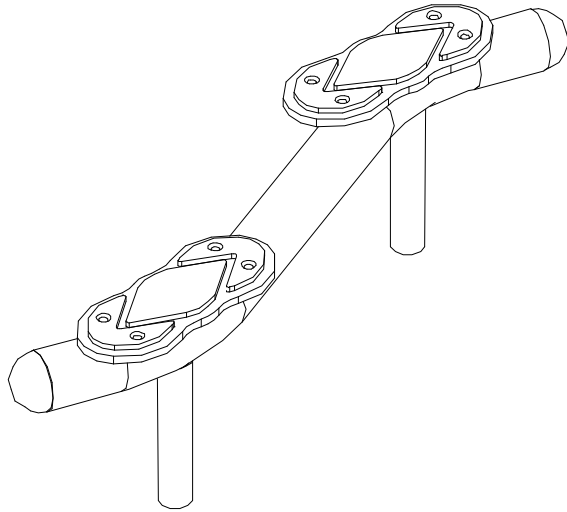


ADDENDUM

END CAP FIXING DETAILS



Fit aluminium end cap into end of uprights and secure using two M8 x 12 lg cone end grub screws.



FANTASY FUN RUN

STEP LINK

PROD CODE:	70337 70437 Bark Fix
SIZE:	1005 x 325
AGE RANGE:	5 - 16
FREE FALL HEIGHT:	< 600mm
WEIGHT OF HEAVIEST PART	12 Kg
OVERALL WEIGHT OF UNIT	17 Kg

DELIVERY LIST

Part No.	Description	Qty
70337-01	Step Link Assembly	1
3726-124	Foot Print	2
	Fixings Pack	1
For Bark Fix Add:		
5071-003	Below Ground Fixing	2
3031-010	Spragging Iron	2
2175-134	M12 x 25 Hex Head Screw	4

SPECIFICATION

Unit is fabricated from mild steel plate to BS 1449, mild steel tubing to BS 1387.
Caps and clamp fixings are produced from LM6M Aluminium.
Foot prints are made from rubber coated high density Polyethylene.
All metal components will be protected with low lead powder paint.

INSTALLATION INSTRUCTIONS

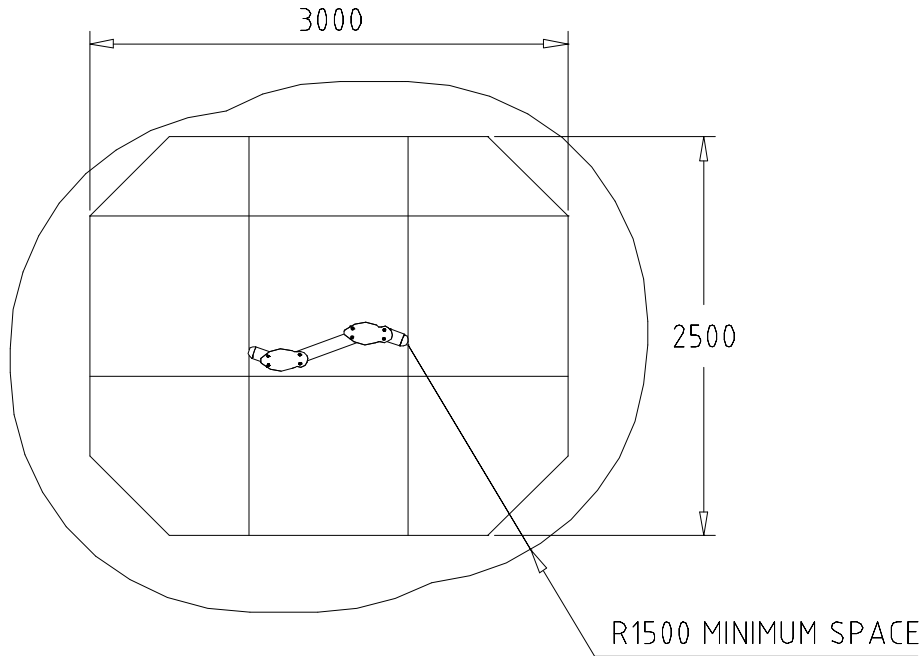
- 1 Read installation instructions through before commencing erection of unit.
- 2 Do NOT tighten fastenings until the unit is completely assembled.
- 3 Excavate foundations in accordance with details shown in foundation plan.
- 4 Place Step Link in foundations.
- 5 Ensuring Step Link is plumb, square and at correct heights, backfill foundations with 0.0675 cubic metres of concrete.
- 6 Allow 48 hours drying time before fixing ropes.

Note: M8 bolts to be torqued to 18 Nm (13 lbf.). M10 bolts to be torqued to 34 Nm (25 lbf)
M12 bolts to be torqued to 55 Nm (40lbf). All protruding screw threads to be peened over to remove sharp edges.

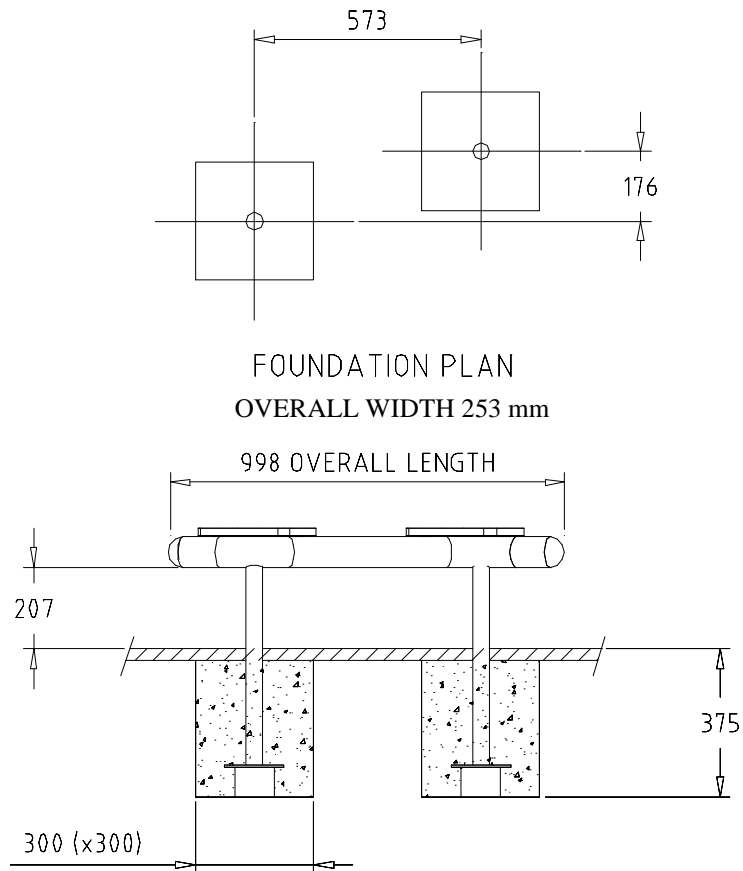
Note:-Ensure all installation aids are removed before first use.



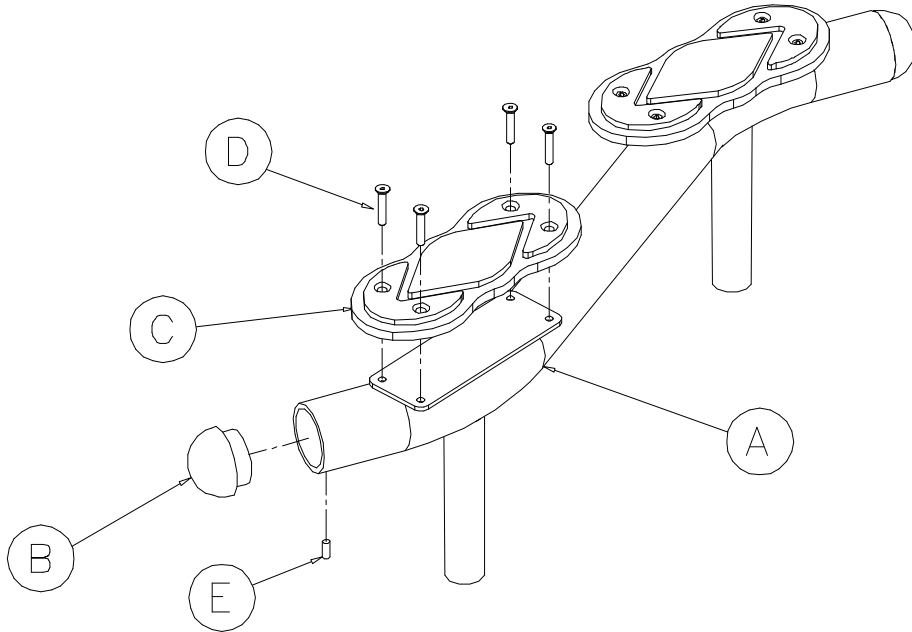
SURFACING & MINIMUM SPACE DETAIL



FOUNDATION DETAIL
(Care must be taken under abnormal conditions)

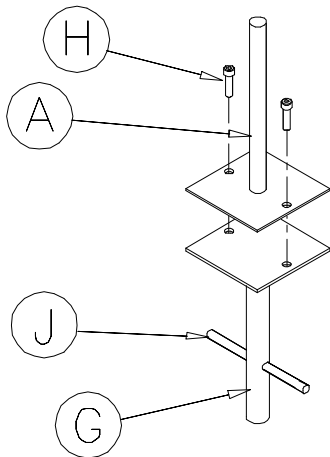


FIXING DETAILS



1. Fit Foot prints, C, to step assembly using D, M8 x 20 Pentagon Countersunk Head Screws.
2. Fit aluminium end cap, B into step assembly and secure using E, M8 x 12 lg cone end grub screw.

BELOW GROUND FIXING DETAIL




1. For bark fixed item, fit below ground fixing to step assembly supports using H, M12 x 25 hexagon head screws.
2. Ensure J, spragging iron is fitted before concreting in position.

Note:-All spare parts are available from Wicksteed Leisure on request.

REF	QTY	DESCRIPTION	PART No
A	1	Step Link Assembly	70337-01
B	2	Aluminium End Cap	3711-002
C	2	Foot Print	3726-124
D	8	M8 x 20 Lg Pentagon Countersunk Head Screw	2176-226
E	2	M8 x 12 Lg Cone End Grub Screw	2171-115
	1	M8 Pentagon Wrench	2372-003
For bark fixed units add:			
G	2	Below Ground Fixing	5071-003
H	4	M12 x 25 Hex Head Screw	2175-134
J	2	Spragging Iron	3031-010

For maintenance instructions see separate sheet.

	COMPILED:	APPROVED :	REV	NEW	1	2	3	4
	P.Godfrey		ECN	1381	1401	1412	Minor	Minor
	DATE:	DATE:	SIG.	PG	MH	MH	TW	TW
	30/5/01		DATE.	30/5/01	12/03/02	30/05/02	21/02/06	11/10/06



