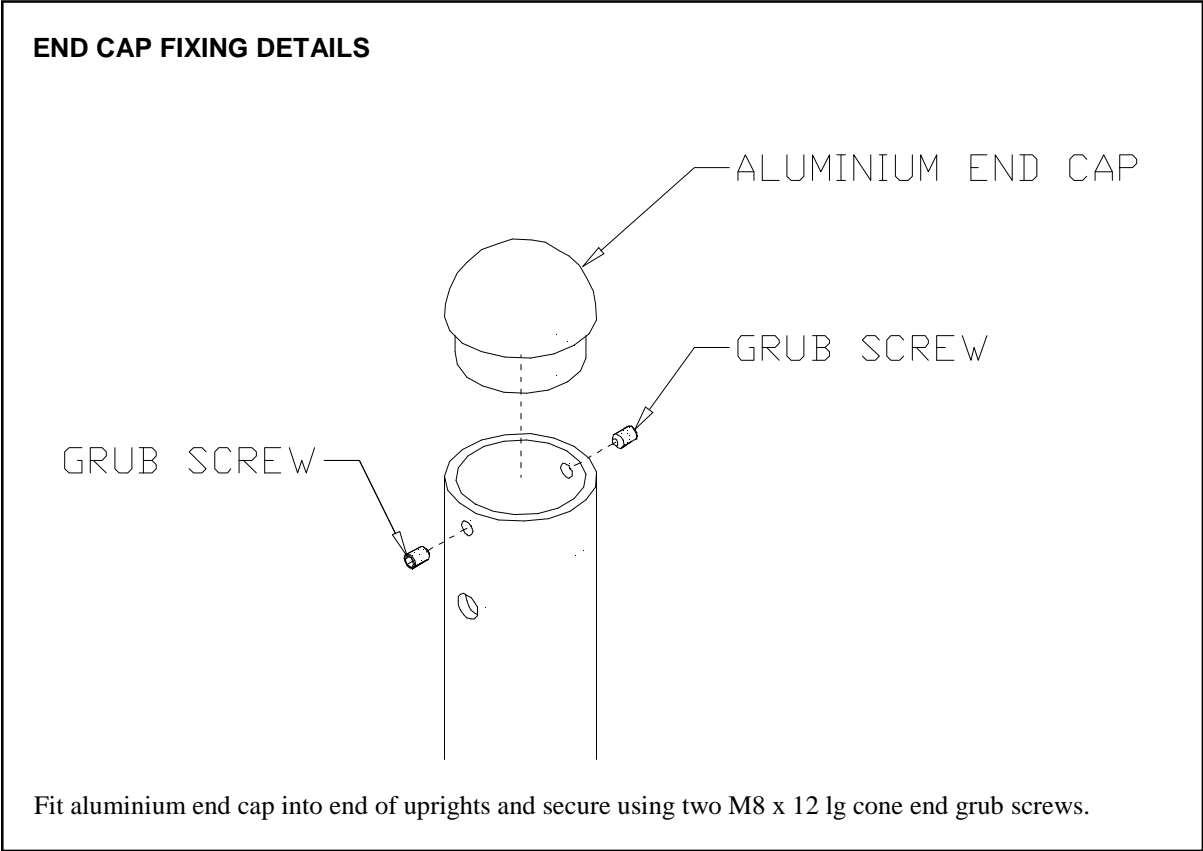
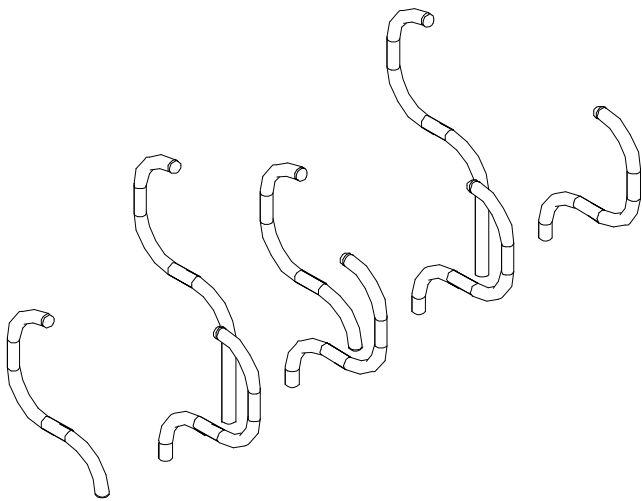


ADDENDUM





EXERCISE TRAIL	
BIG FOOT CROSSING	
PROD CODE: Ground Fix	70335
PROD CODE: Bark Fix	70435
SIZE:	3500 x 1476 x 1712
AGE RANGE:	8-16 years
OVERALL WEIGHT OF UNIT	15 KG EACH

DELIVERY LIST		
Part No.	Description	Qty
70335-01	Stepping Post assembly	8
3711-002	Aluminium End Cap	8
2171-010	M8 x 12 Grub Screw	8
	Fixings Pack	
70435-01	Stepping Post assembly (Bark Fixed)	8

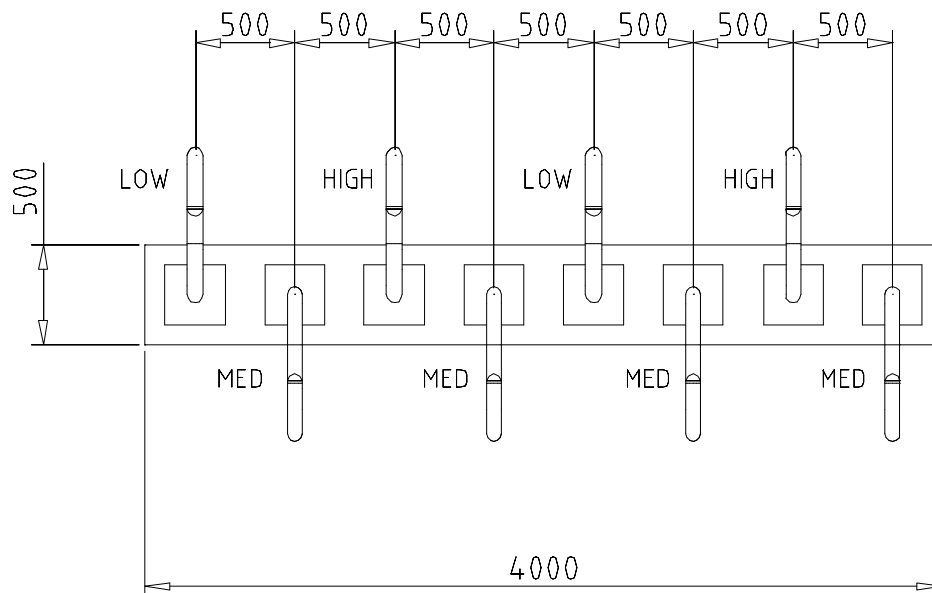
SPECIFICATION

Main Tube: Fabricated from 65 nominal bore medium gauge steel tube to BS 1387.

Finish: Low lead polyester powder paint to BS EN71 part 3 (1995)

Welds: Copper free wire conforming to 2901 AIB for mild steel.

STEP FROM GROUND LEVEL.		
LOW	MED.	HIGH
300	400	500



INSTALLATION INSTRUCTIONS

1. Read installation instructions through before commencing erection of the unit.
2. Excavate foundations in accordance with the details shown in the plan.
3. Ensuring Up-rights are plumb , square and at the correct height, backfill the trench with 1.3 cubic metres of concrete.
4. NOTE: Colour green and purple Up-rights alternately.

FOUNDATION DETAIL

500 X See Matrix

(Care must be taken under abnormal conditions)

DEPTH BELOW GROUND. GROUND FIX		
LOW	MED.	HIGH
750	650	550


DEPTH BELOW GROUND. BARK FIX		
LOW	MED.	HIGH
1050	950	850

Note: M12 bolts to be torque to 55Nm (40lbft) All protruding screw threads to be panned over to remove sharp edges.

Note:-Ensure all installation aids are removed before first use.

Note:-All spare parts are available from Wicksteed Leisure on request. For maintenance details see separate sheet

REF	QTY	DESCRIPTION	PART No
A	8	Stepping Tube assembly	70335-01
B	8	End Cap.	3711-002
C	8	M8 x 12 Lg Grub Screw	2171-115
For Bark Fixing Replace A with E			
E	8	Stepping Tube (Bark Fixed)	70435-01

	COMPILED:	APPROVED :	REV	NEW	1	2		
	W.F.D		ECN	1342	1383	1401		
	DATE:	DATE:	SIG.	W.F.D	SCJ	MH		
	23/05/00		DATE.	23/05/00	03/07/01	12/03/02		

DESPATCH LIST

Product: Bigfoot Crossing

Code No. 70335

Date of Issue: 16/05/00

Order No:

Issue: B

Item	Unit Qty	Description	Part No.	Checked
1	8	Stepping Tube assembly	70335-01	
2	1	Fixing Pack		

Total No. of Items

Picked By:

Checked By:

COMPILED	REV	1	2	3			
BY: W.F.D	ECN No.	1342	1383	1401			
DATE: 16/5/00	DATE	16/05/00	10/07/01	12/03/02			
	SIGN	W.F.D	SCJ	MH			

FIXINGS LIST

Product: Bigfoot Crossing

Code No. 70335

Date of Issue: 16/05/00

Order No:

Issue: B

Item	Unit Qty	Description	Part No.	Checked
1	8	Aluminium End Cap*	3711-002	
2	16	M8 x 12 Lg Grub Screw*	2171-115	
		* Fitted Prior to Despatch		

Total No. of Items

Picked By:

Checked By:

COMPILED	REV	1	2	3	4	5	
BY: W.F.D	ECN No.	1342	1383	1401	minor	minor	
DATE: 16/5/00	DATE	16/05/00	10/07/01	12/03/02	02/04/04	01/09/08	
	SIGN	W.F.D	SCJ	MH	PK	SB	

DESPATCH LIST

Sheet 1 of 1

Product: Bigfoot Crossing - Bark Fixed Code No. 70435 Date of Issue: 16/05/00

Order No: Issue: B

Item	Unit Qty	Description	Part No.	Checked
1	8	Stepping Tube assembly	70435-01	
2	1	Fixings Pack		

Total No. of Items

Picked By: Checked By:

COMPILED BY: W.F.D	REV	1	2	3	4		
	ECN No.	1342	1383	1401	minor		
DATE: 16/5/00	DATE	16/05/00	10/07/01	12/03/02	05/04/04		
	SIGN	W.F.D	SCJ	MH	FK		

FIXINGS LIST

Sheet 1 of 1

Product: Bigfoot Crossing - Bark Fixed Code No. 70435 Date of Issue: 16/05/00

Order No: _____ Issue: B

Item	Unit Qty	Description	Part No.	Checked
1	8	Aluminium End Cap*	3711-002	
2	16	M8 x 12 Lg Grub Screw*	2171-115	
		* Fitted Before Despatch		

Total No. of Items

Picked By: _____ Checked By: _____

COMPILED	REV	1	2	3	4	5	
BY: W.F.D	ECN No.	1342	1383	1401	minor	minor	
DATE: 16/5/00	DATE	16/05/00	10/07/01	12/03/02	05/04/04	01/09/08	
	SIGN	W.F.D	SCJ	MH	PK	SB	