

EXERCISE TRAIL	
ROLL THE BARREL	
PROD CODE: Ground Fix	70334
PROD CODE: Bark Fix	70434
SIZE:	1125 x 1400 x 726
AGE RANGE:	8-16 years
OVERALL WEIGHT OF UNIT	52 KG

DELIVERY LIST		
Part No.	Description	Qty
70334-01	Hand Rail Assy.	2
70334-02	Barrel Assy.	1
3030-013	Axle	1
	Fixings Pack.	1
5071-017	Below Ground Fixing Assembly	4
3031-010	Spragging Iron	4

Hand Rails: Fabricated from 25 nominal bore medium gauge steel tube to BS 1387.

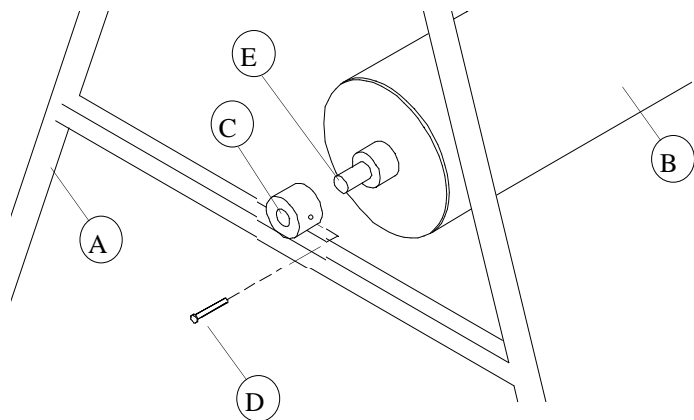
Barrel: Fabricated from 220 Dia medium gauge steel tube to BS 1387.

Other Steel: To be manufactured from steel to BS 970 part 1 (1983).

Finish: Low lead polyester powder paint to BS EN71 part 3 (1995)

Welds: Copper free wire conforming

NOTE:
ENSURE AXLE SUPPORTS ARE DIRECTLY IN LINE TO PRODUCE SMOOTH ROTATION OF BARREL.

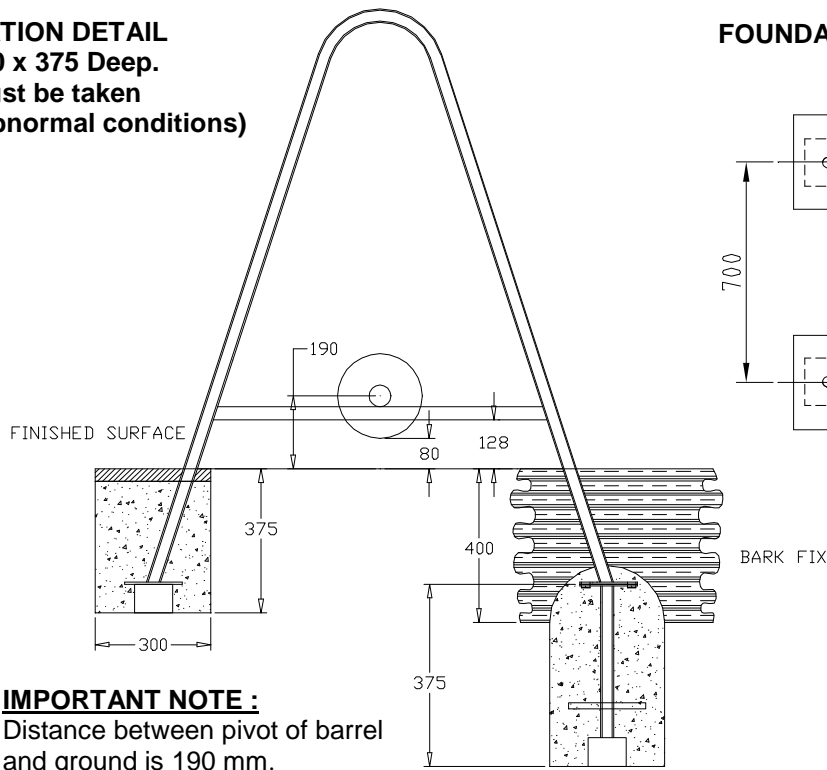


INSTALLATION INSTRUCTIONS.

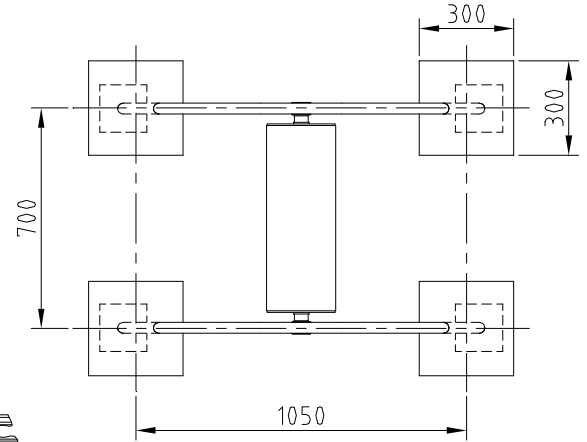
1. Axle to be positioned through the bushes on either side of the barrel.
2. Barrel Assy To Be Fastened To Leg Assy Via Grub Screws In Spindle Block.
3. Back Fill Foundations With Concrete To Appropriate Foundation Depth.

NOTE: 4 Parts Gravel.
2 Parts Sand.
1 Part Cement.
Amount Required = 0.135m³

FOUNDATION DETAIL
300 x 300 x 375 Deep.
(Care must be taken
under abnormal conditions)



FOUNDATION PLAN

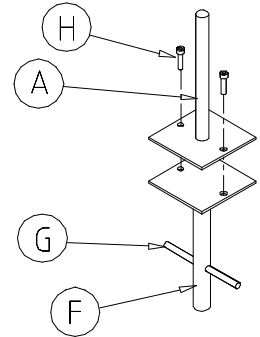


IMPORTANT NOTE :
 Distance between pivot of barrel
 and ground is 190 mm.

BARK FIXING DETAILS

1. Fit below ground fittings to base of pole using M12 x 25 hexagon head bolts.
2. Fit Spragging irons in below ground. fixings before concreting.

- Note:-** Ensure all installation aids are removed before first use.
Note:- All spare parts are available from Wicksteed Leisure on request.
 For maintenance details see separate sheet.



REF.	QTY	DESCRIPTION	PART No
A	1	Hand Rail Assy.	70334-01
B	1	Barrel Assy.	70334-02
C	2	Oilite Bushes	2511-070
D	2	M8x55 Button head Screws.	2176-156
E	1	Axle.	3030-013
For Bark Fixed Units Add The Following			
F	4	Below Ground Fixings	5071-017
G	4	Spragging Iron	3031-010
H	8	M12 x 25 Hex Head Screw	2175-134

	COMPILED:	AP- PROVED :	REV	NEW	1	2		
	W.F.D		ECN	1342	1401	minor		
	DATE:	DATE:	SIG.	W.F.D	MH	SB		
	23/05/00		DATE.	23/05/00	12/03/02	16/04/08		

FIXINGS LIST

Sheet 1 of 1

Product: Roll The Barrel

Code No: 70334

Date of Issue: 16/05/00

Order No:

Issue: A

Item	Unit Qty	Description	Part No.	Checked
1	2	M8 x 55 button head screws*	2176-156	
2	2	Oilite Bush*	2511-070	
3	1	M8 Pentagon Key	2372-003	
		ITEMS MARKED * FITTED BEFORE DESPATCH		

Total No. of Items

Picked By:

Checked By:

COMPILED BY: W.F.D	REV	NEW	1	2			
	ECN No.	1342	minor	minor			
DATE: 16/5/00	DATE	16/05/00	3/5/02	15/01/03			
	SIGN	W.F.D	PG	SB			

DESPATCH LIST

Sheet 1 of 1

Product: Roll The Barrel - Bark Fixed

Date of Issue: 16/05/00

Code No: 70434

Issue: A

Item	Unit Qty	Description	Part No.	Checked
1	2	Hand Rail Assy*	70334-01	
2	1	Barrel Assy*	70334-02	
3	1	Axle*	3030-013	
4	4	Below Ground Fixings	5071-017	
5	4	Spragging Iron	3031-010	
		ITEMS MARKED * FITTED BEFORE DESPATCH		

Total No. of Items

Picked By:

Checked By:

COMPILED BY: W.F.D	REV	NEW	1	2			
	ECN No.	1342	minor	minor			
DATE: 16/5/00	DATE	16/05/00	3/5/02	15/01/03			
	SIGN	W.F.D	PG	SB			

