

# EXERCISE TRAIL

## LOG RUN

PROD CODE: Ground	70333
PROD CODE: Bark Fix	70433
SIZE:	160 x 2160 x 610
FREEFALL HEIGHT	<600
AGE RANGE:	8-16 years
WEIGHT OF HEAVIEST PART	20KG
OVERALL WEIGHT OF UNIT	31 KG

### DELIVERY LIST

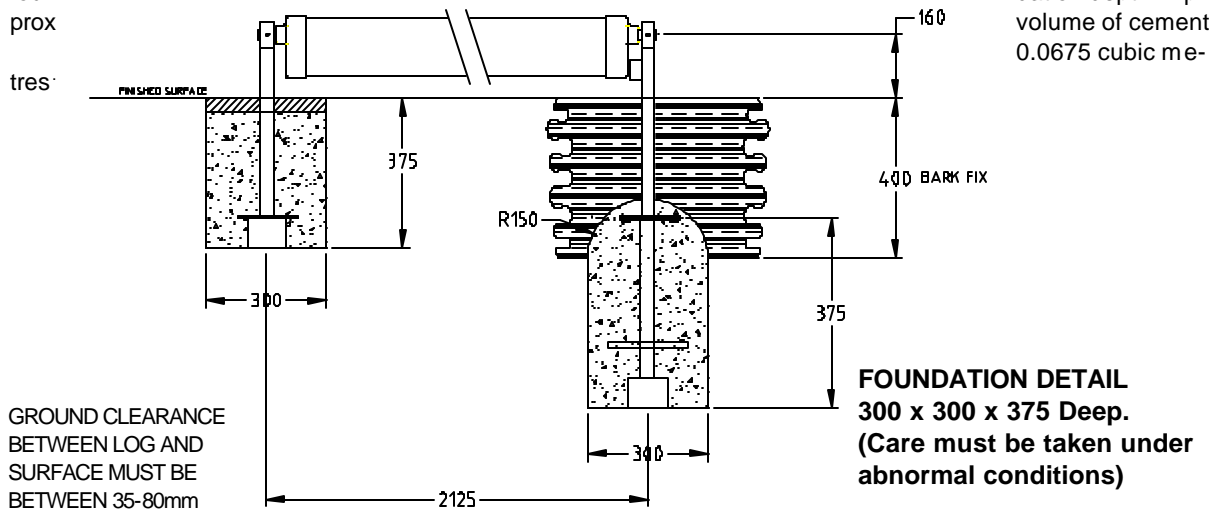
Part No.	Description	Qty
70333-06	Log Assembly	1
70333-09	End Support A Assembly	1
70333-10	End Support B Assembly	1
5071-017	Below Ground Fixing (Bark)	2
3031-010	Spragging Iron (Bark)	2
	Fixing Pack	1

### SPECIFICATIONS

Log: Shall be manufactured from quality timber to be round and smooth, to a Dia of 150mm.  
 Leg Supports: Fabricated from 40 x 40 RHS to BS 1387.  
 Other Steel: To be manufactured from steel to BS 970 part 1 (1983).  
 Finish: Low lead polyester powder paint to BS EN71 part 3 (1995)  
 Welds: Copper free wire conforming to 2901 AIB for mild steel.

### INSTALLATION INSTRUCTIONS

1. Read installation instructions through before commencing installation of unit.
2. Do NOT tighten fastenings until unit is completely assembled.
3. For BARK fixing also see page 3
4. Excavate foundations in accordance with details shown in Fig 1.
5. Log Assy (A) to be Fastened To Endplate Support Assy (B+C), as shown in Fig 2. using M8 x 55 Screws to locate and fix axle stub (F).
6. NOTE location of stub on the 'Stop End Plate Assy' (E) in slotted guide on End Plate Support B (C) Fig 3.
7. After ensuring equipment is square and at the correct height, as shown in Fig 1, back fill foundations with concrete foundations with appropriate depth. Approx volume of cement 0.0675 cubic metres



SURFACING & MINIMUM SPACE DETAIL

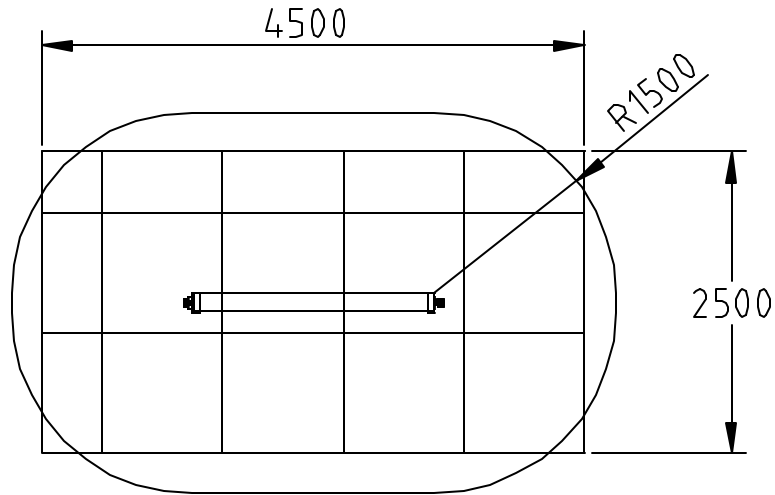


Fig 2

Locating Axle Into Upright Supports

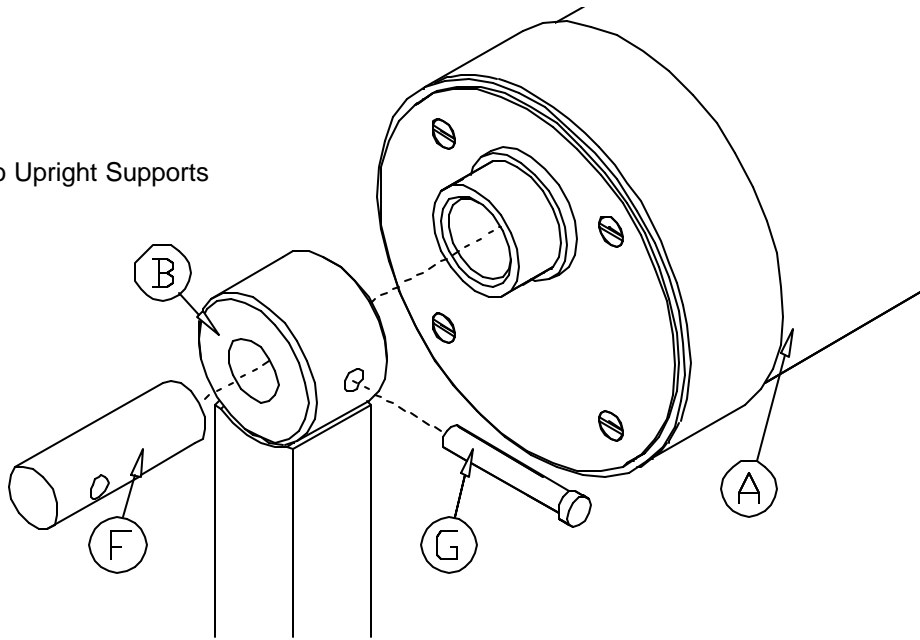
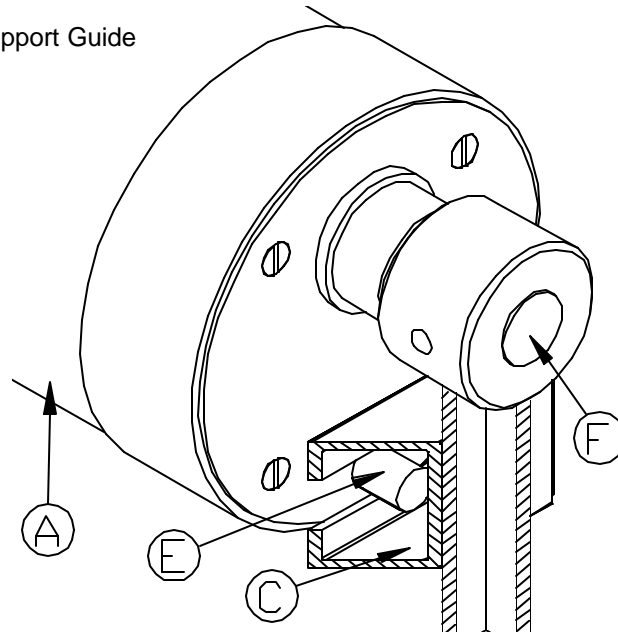


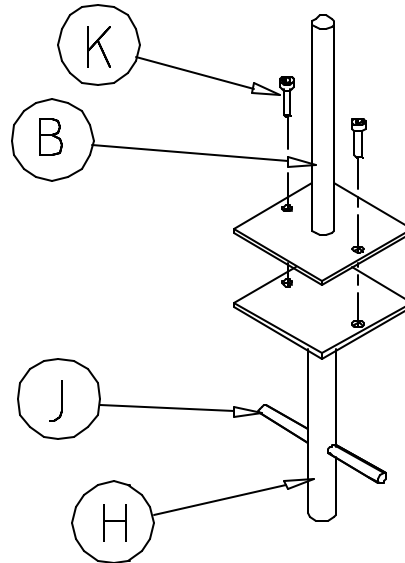
Fig 3

Locating Stub Into Upright Support Guide



**BARK FIXING DETAILS**

1. Fit below ground fittings to base of support using M12 x 25 hexagon head bolts.
2. Fit Spragging irons in below ground. fixings before concreting into ground.



REF.	QTY	DESCRIPTION	PART No
A	1	Log Assembly	70333-03
B	1	End Support A Assembly	70333-09
C	1	End Plate Support B Assembly	70333-10
D	1	End Plate Assembly	70333-01
E	1	Stop End Plate Assembly	70333-05
F	2	Axle Stub	70333-0202
G	2	M8 x 55 Socket Screws.	2176-156
For Bark Fixing Add The Following			
H	2	Below Ground Fixing	5071-017
J	2	Spragging Iron	3031-010
K	4	M12 x 25 Hex Head Screw	2175-134
	2	Oilite Bushes.	2511-070
	8	No.8 2" Wood Screw.	2111-015

**Note:-** Ensure all installation aids are removed before first use.

**Note:-** All spare parts are available from Wicksteed Leisure on request.  
For maintenance details see separate sheet.

	COMPILED:	APPROVED :	REV	NEW	1	2	3	
	W.F.D		ECN	1342	1356	1370	1372	
	DATE:	DATE:	SIG.	W.F.D	PJM	PJM	PJM	
	23/05/00		DATE.	23/05/00	20/10/00	14.02.01	23.02.01	

# DISPATCH LIST

Product: Log Run

Code No. 70333

Date of Issue: 14.02.01

Order No: \_\_\_\_\_

Issue: C

Item	Unit Qty	Description	Part No.	Checked
1	1	Log Assy	70333-06	
2	1	End Plate Support A Assy.	70333-09	
3	1	End Plate Support B Assy.	70333-10	
4	2	Axle Stub	70333-0202	
5	1	Fixings Pack		

Total No. of Items

Picked By: \_\_\_\_\_

Checked By: \_\_\_\_\_

COMPILED BY: W.F.D	REV	NEW	1	2	3	4	
	ECN No.	1336	1356	1370	1372	minor	
	DATE	16/05/00	25/10/00	14.02.01	23.02.01	03/05/2002	
	SIGN	W.F.D	PJM	PJM	PJM	PG	
DATE: 16.5.00							

# FIXINGS LIST

Sheet 1 of 1

Product: Log Run

Code No. 70333

Date of Issue: 14.02.01

Order No:

Issue: F

Item	Unit Qty	Description	Part No.	Checked
1	8	No.8 Woodscrew x 2" Lg	2111-015 *	
2	2	M8 x 55 Button Head Screw	2176-156 *	
3	2	Oilite Bush	2511-070 *	
4	1	M8 Pentagon Key	2372-003	
		Items Marked * to be fitted prior to despatch		

Total No. of Items

Picked By:

Checked By:

COMPILED BY:	REV	NEW	1	2	3	4	5
W.F.D	ECN No.	1336	1356	1370	1372	minor	minor
DATE: 16.5.00	DATE	16/05/00	25/10/00	14.02.01	23.02.01	03/05/2002	21/02/2006
	SIGN	W.F.D	PJM	PJM	PJM	PG	TW

# DESPATCH LIST

Sheet 1 of 1

Product: The Log Run - Bark Fixed

Date of Issue: 14.02.01

Code No: 70433

Issue: C

Item	Unit Qty	Description	Part No.	Checked
1	1	Log Assy	70333-06	
2	1	End Plate Support A Assy.	70333-09	
3	1	End Plate Support B Assy.	70333-10	
4	2	Below Ground Fixing	5071-017	
5	2	Spragging Iron	3031-010	
6	2	Axle Stub	70333-0202	
7	1	Fixings Pack		

Total No. of Items

Picked By:

Checked By:

COMPILED	REV	NEW	1	2	3	4	
BY: W.F.D	ECN No.	1342	1356	1370	1372	minor	
	DATE	16/05/00	25/10/00	14.02.01	23.02.01	03/05/2002	
DATE: 16/5/00	SIGN	W.F.D	PJM	PJM	PJM	PG	

# FIXINGS LIST

Product: The Log Run - Bark Fixed Date of Issue 14.02.01

Code No: 70433 Issue: F

Item	Unit Qty	Description	Part No.	Checked
1	8	No.8 Woodscrew x 2" Lg	2111-015 *	
2	2	M8 x 55 Button Head Screw	2176-156 *	
3	2	Oilite Bush	2511-070 *	
4	4	M12 x 25 Hex Head Screw	2175-134	
5	1	M8 Pentagon Key	2372-003	
		Items Marked * to be fitted prior to despatch		

Total No. of Items

Picked By: \_\_\_\_\_ Checked By: \_\_\_\_\_

COMPILED BY: W.F.D	REV	NEW	1	2	3	4	5
	ECN No.	1342	1356	1370	1372	minor	minor
DATE: 16/5/00	DATE	16/05/00	25/10/00	14.02.01	23.02.01	03/05/2002	21/02/2006
	SIGN	W.F.D	PJM	PJM	PJM	PG	TW