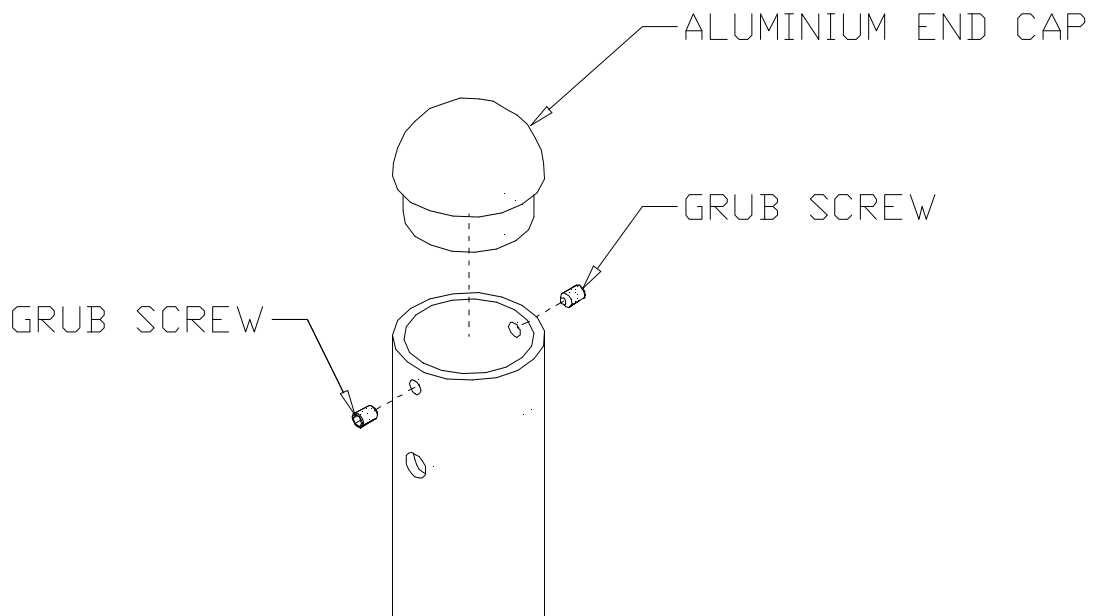
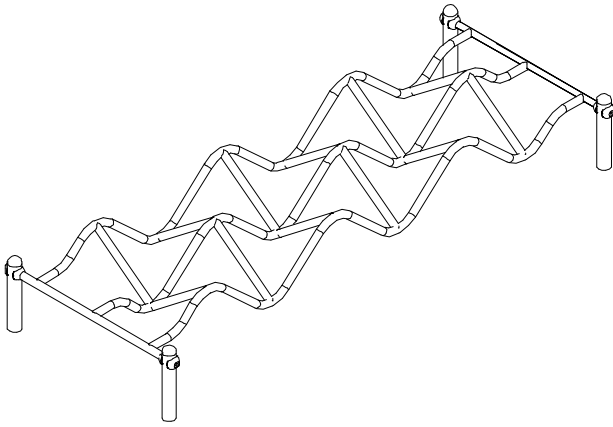


ADDENDUM

END CAP FIXING DETAILS



Fit aluminium end cap into end of uprights and secure using two M8 x 12 lg cone end grub screws.



FANTASY FUN RUN	
ALPINE CROSSING	
PROD CODE:	70322
SIZE:	3172 x 1175 x 518
AGE RANGE:	10-16 Years
FREE FALL HEIGHT:	1108
WEIGHT OF HEAVIEST PART	54 Kg
OVERALL WEIGHT OF UNIT	54 Kg

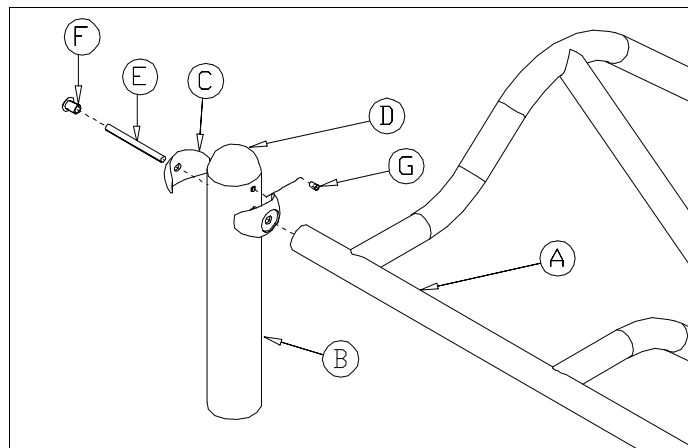
DELIVERY LIST		
Part No.	Description	Qty.
5200-063	Alpine Crossing	1
3000-357	Legs	4
-	Fixings pack	1

SPECIFICATION

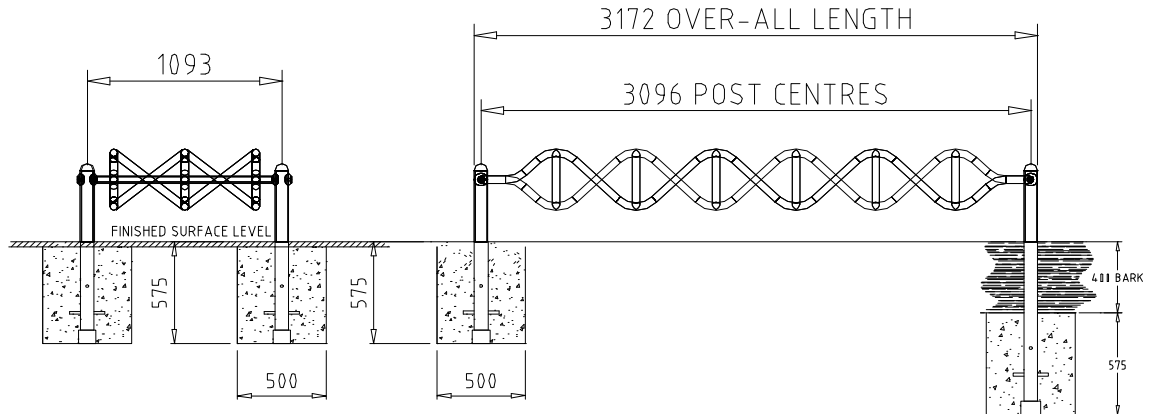
- Support tube:** Manufactured from 25 nominal bore tube, medium gauge steel. (BS 4848 part 2), with 50 x 5 mm thick blanking plates (both to BS 1449 Part 1).
- Alpine crossing:** Made from 32 nominal bore tube medium gauge steel to BS 1387.
- Fasteners:** Non standard type (anti-vandal) and plated for weather protection.
- Finish:** Low lead polyester powder to BS EN 71 part 3 (1995).
- Welds:** Copper free wire conforming with BS 2901 AIB for mild steel.

INSTALLATION INSTRUCTIONS

- 1 Read installation instructions through before commencing erection of unit.
- 2 Do NOT tighten fastenings until the unit is completely assembled.
- 3 Excavate foundations in accordance with details shown in foundation plan.
- 4 Secure Legs to the Alpine Crossing by using 2 clamps per leg, studding and safety fastener.
- 5 (As shown below)
- 6 Place unit into foundation holes ensuring that it is plumb, square and is at correct heights, backfill foundations with 0.575 cubic metres of concrete. Allow 48 hours drying time before use.



FOUNDATION DETAIL
(Care must be taken under abnormal conditions)



Ref.	Qty.	Description	Part No.
A	1	Alpine crossing assembly	5200-063
B	4	Legs	3000-357
C	8	Clamps	3711-028
D	4	End Cap	3711-002
E	4	M10 Studding	3033-019
F	4	M10 Safety Fastener	2177-002
G	4	Grub Screw M8 x 12LG	2175-115
H	4	Spragging Iron	3031-010
For BARK FIX replace legs 3000-357 with bark fix legs 3000-358.			

Note:

M10 bolts to be torqued to 34Nm (25lbf). M12 bolts to be torqued to 55Nm (40lbf)
 All protruding screw threads to be peened over to remove sharp edges.
 Lifting aid may be required when installing this piece of equipment.
 M10 Insert plugs to be used when Deck in-fill is not necessary.

Note

For maintenance instructions see separate sheet.
 Ensure all installation aids are removed before first use.
 All spare parts are available from Wicksteed Leisure on request.

	COMPILED:	APPROVED :	REV	1	2			
	SCJ		ECN	1394	1401			
	DATE:	DATE:	SIG.	SCJ	MH			
	11/09/01		DATE.	11/09/01	12/03/02			

FUN RUN ALPINE CROSSING 70322
27.25 SQ. METRES 33mm TILE
19.656 LINEAR METRES EDGING
16 GRASS MATS
FFH < 600mm

