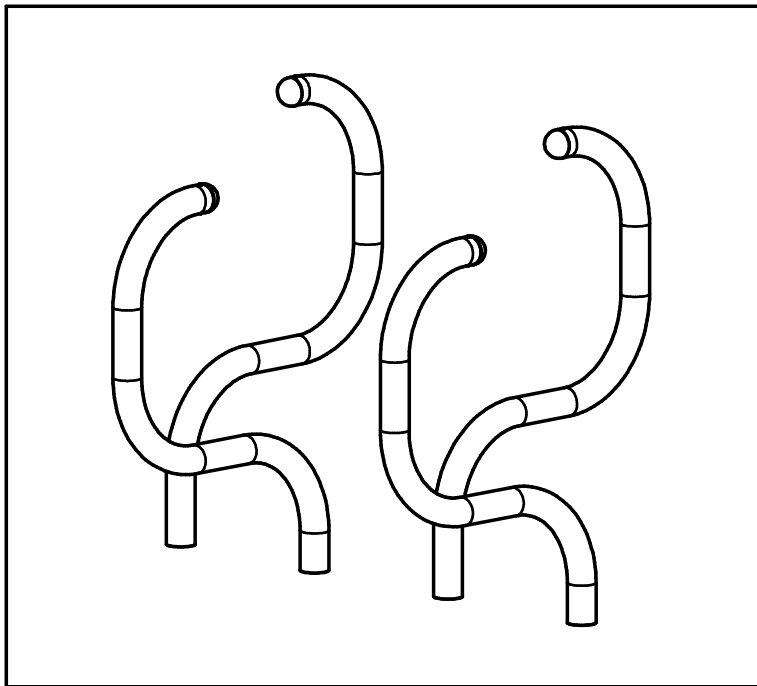


# Installation Instructions



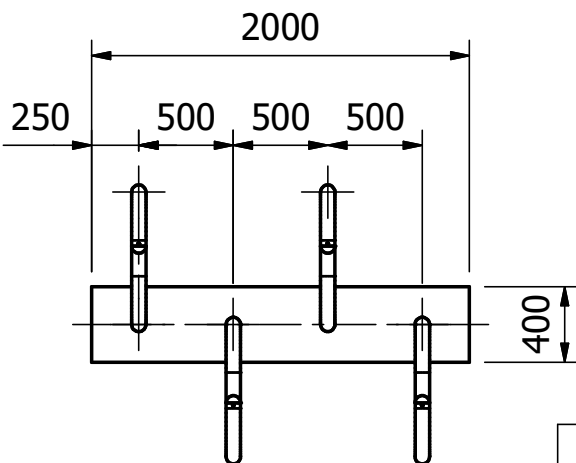
Fantasy Funrun Icon Crossing	
PROD. CODE	6600-004
SIZE	1.48 x 1.58 x 1.2
AGE RANGE	8 Years to Adult
F/ FALL HEIGHT	500mm
HEAVIEST PART	Approx 20.5 Kg
TOTAL WEIGHT	Approx 84 Kg



## Installation Instructions

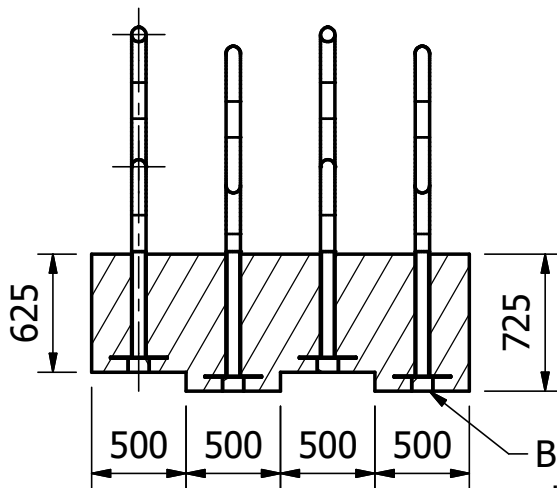
Care must be taken in abnormal conditions

- 1 Read installation instructions thoroughly before commencing installation of unit.
- 2 Excavate foundations as shown in foundation plan.
- 3 Position stepping tubes on bricks in excavated holes, ensuring correct position, height and orientation and that they are square and perpendicular.
- 4 Back fill foundations with 0.5m<sup>3</sup> concrete (4 parts gravel/2 parts sand/1 part cement).
- 5 Allow concrete to set for 48 hours before first use.

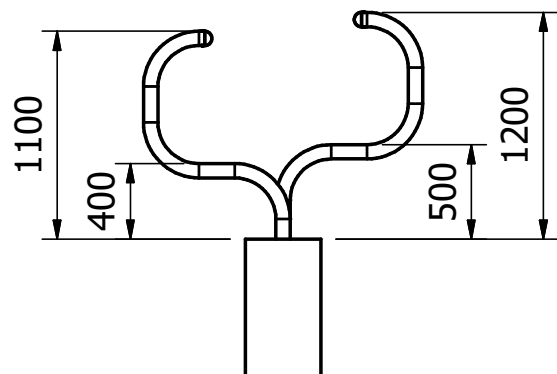


### Parts List

ITEM	QTY	PART NUMBER	DESCRIPTION
1	4	5104-044	Icon Crossing Assembly



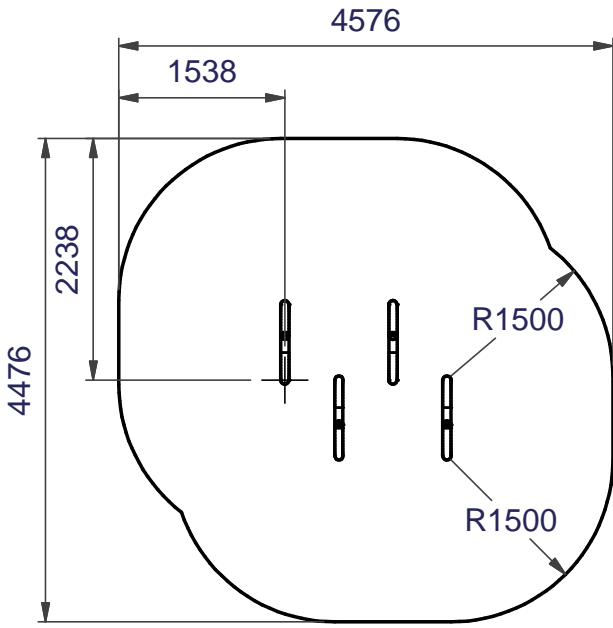
Bricks under each stepping post



Note:- 1. Ensure all installation aids are removed before first use.

2. Lifting Equipment or sufficient manpower should be used throughout installation.

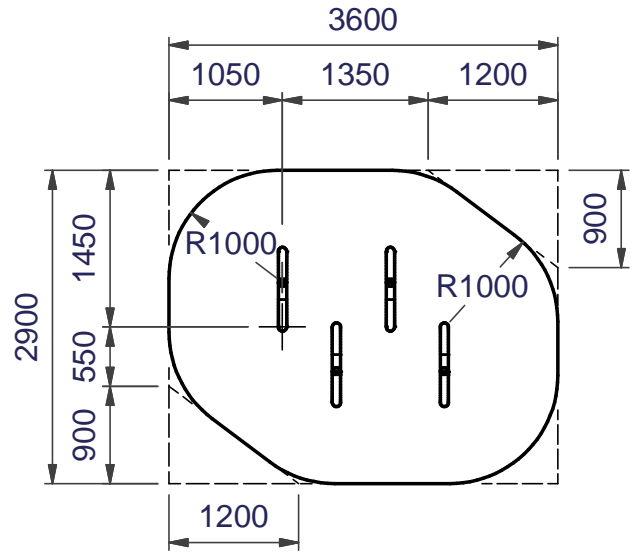
Minimum Space



Safety Surfacing

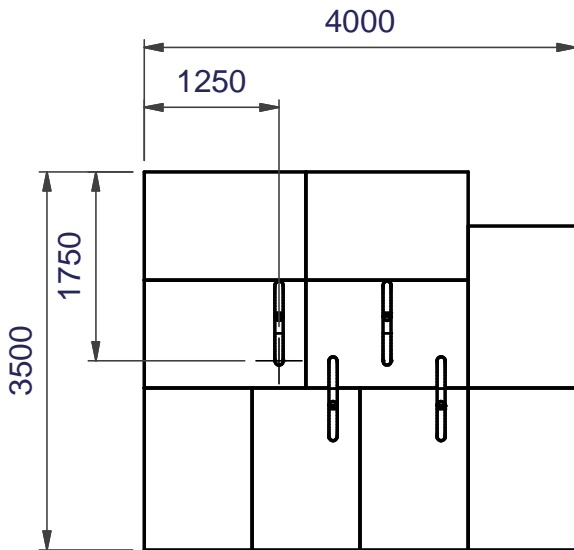
Wetpour

9.0 Sq. Metres 20mm Wetpour  
11.0 Linear Metres Wetpour Edging



Grass Mats  
(1500 x 1000mm)

9 off Total



Safety Tiles  
(1000 x 1000mm)

11.0 Sq. Metres  
33mm Thickness  
13.0 Linear Metres of Tile Edging

