

Fitness Legacy Zone	
Plyometric Platforms	
PROD. CODE	6220-022
SIZE	530mm x 530mm Wide 290mm 440mm & 590mm High
AGE RANGE	14 to adult
F/ FALL HEIGHT	<600mm
HEAVIEST PART	12 Kg Approx
TOTAL WEIGHT	14.5 Kg Approx

**SPECIFICATION**

Solid steel to BS EN 10025 S235  
 Steel RHS to BS EN 10219 S235  
 3mm Durbar chequer plate  
 Welds are from copper-free wire to BS EN 440  
 Low lead polyester powder paint to BS 71 part 3

**INSTALLATION INSTRUCTIONS**

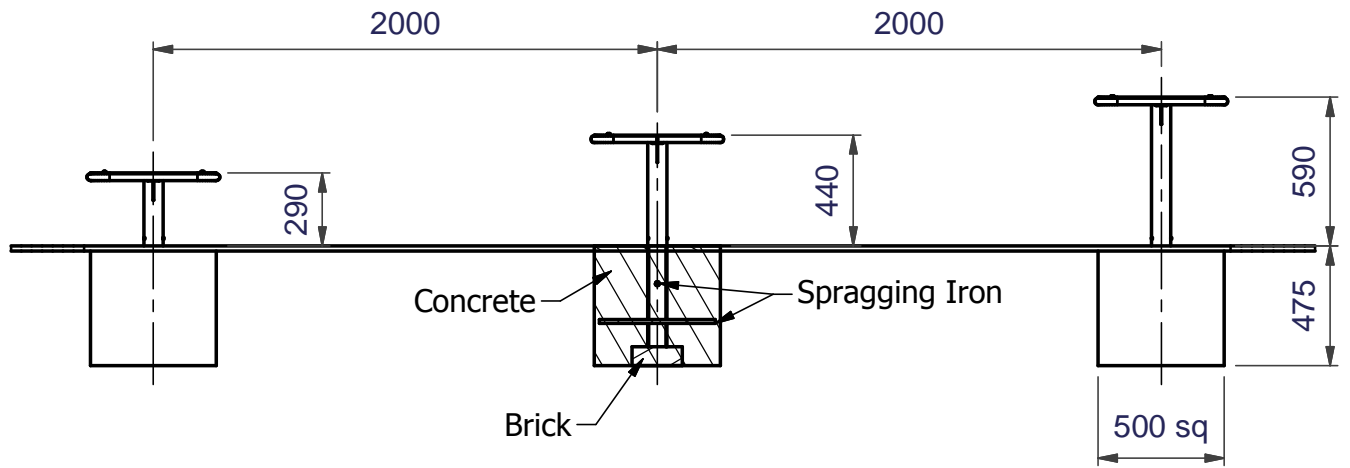
1. Read all installation instructions thoroughly before commencing installation.
2. Excavate foundation holes as shown in the foundation details.
3. Position unit into foundation holes checking that it is square & at the correct height from finished surface.
4. Insert spragging irons into holes on upright tube.
5. Backfill foundations with concrete (0.4 cu Metres) (4 parts gravel, 2 parts sand, 1 part cement).
6. Allow concrete to set for 48 hours before first use.

Note

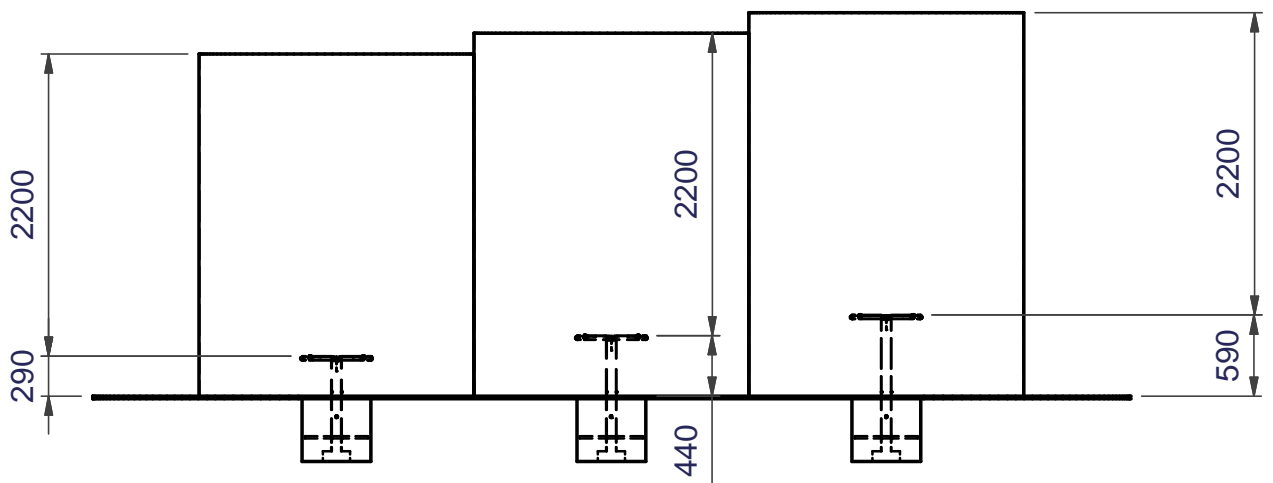
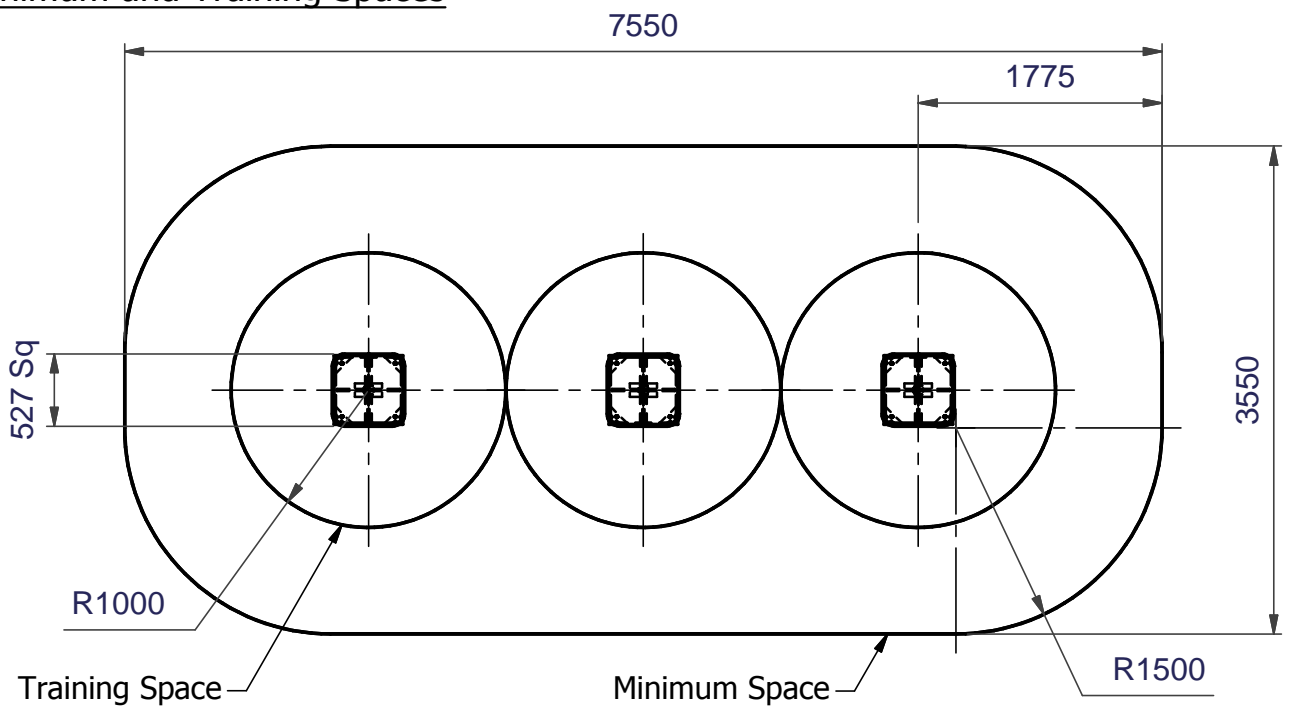
**Note ENSURE ALL INSTALLATION AIDS ARE REMOVED BEFORE FIRST USE!**

### Foundation Detail

(Care must be taken in abnormal conditions)



### Minimum and Training Spaces



## Safety Surfacing

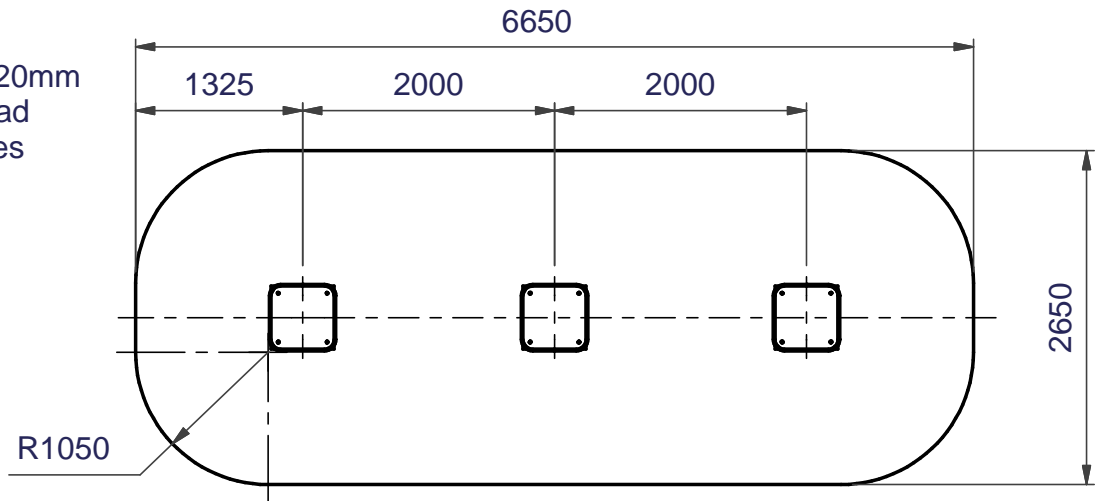
### Wetpour

17.0 Sq. Metres 20mm

Wetpour Wear Pad

17.0 Linear Metres

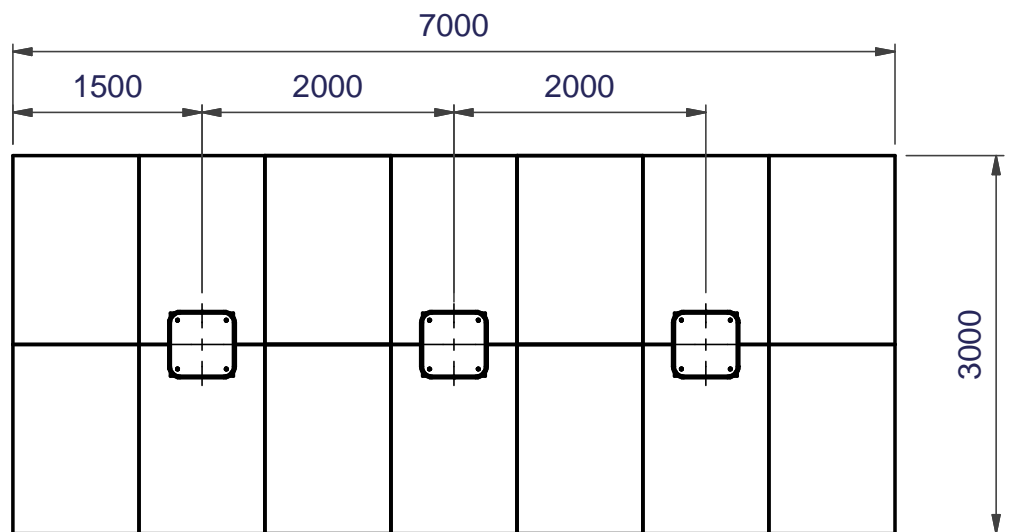
Wetpour Edging



### Grass Mats

(1500 x 1000mm)

14 off Total



### Safety Tiles

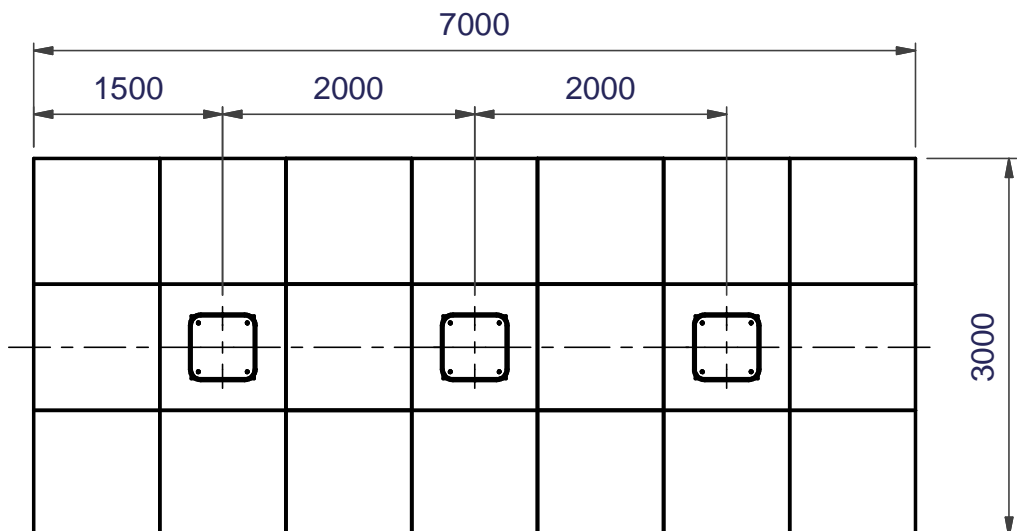
(1000 x 1000mm)

21 Sq. Metres

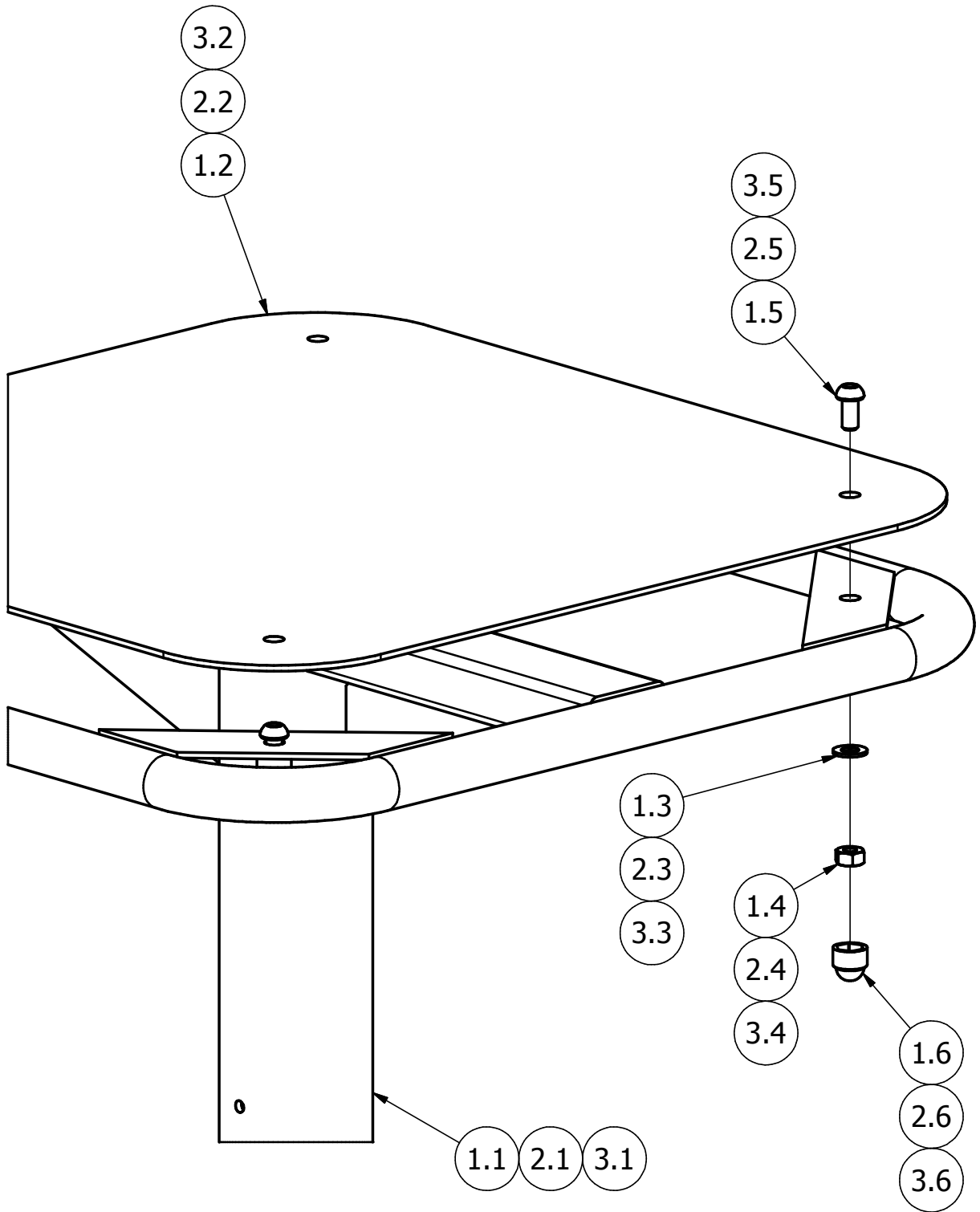
40mm Thickness

20.0 Linear Metres of

Tile Edging



Top Plate Fixings



Parts List			
ITEM	QTY	PART NUMBER	DESCRIPTION
1	1	4202-553	Plyometric Box Assembly (Low)
1.1	1	4202-550	Plyometric Box W.A. (Low)
1.2	1	3201-302	Tread Plate
1.3	4	2215-507	M8 Washer
1.4	4	2193-004	M8 HEX NUT
1.5	4	2176-151	M8 x 16 Pent Button Head
1.6	4	2613-015	M8 Protective Cap
1.7	2	3030-310	460mm Spragging Iron
2	1	4202-554	Plyometric Box Assembly (Medium)
2.1	1	4202-551	Plyometric Box W.A. (Medium)
2.2	1	3201-302	Tread Plate
2.3	4	2215-507	M8 Washer
2.4	4	2193-004	M8 HEX NUT
2.5	4	2176-151	M8 x 16 Pent Button Head
2.6	4	2613-015	M8 Protective Cap
2.7	2	3030-310	460mm Spragging Iron
3	1	4202-555	Plyometric Box Assembly (High)
3.1	1	4202-552	Plyometric Box W.A. (High)
3.2	1	3201-302	Tread Plate
3.3	4	2215-507	M8 Washer
3.4	4	2193-004	M8 HEX NUT
3.5	4	2176-151	M8 x 16 Pent Button Head
3.6	4	2613-015	M8 Protective Cap
3.7	2	3030-310	460mm Spragging Iron

COMPILED DB	REV	0							
	ECN	1742							
DATE: 16/12/15	SIG.	MC							
	DATE:	24/02/16							



