


Fitness Legacy Zone	
Dip Bar	
PROD. CODE	6210-093
SIZE	1940x915x610mm
AGE RANGE	14 to Adult
F/ FALL HEIGHT	<1000mm
HEAVIEST PART	Approx 31Kg
TOTAL WEIGHT	Approx 62Kg
	

SPECIFICATION

Steel bar to EN 10025
 Steel CHS to BS EN 10219
 Welding to EN ISO 14341:2011
 Polyester powder paint to EN 13438:2005

INSTALLATION INSTRUCTIONS

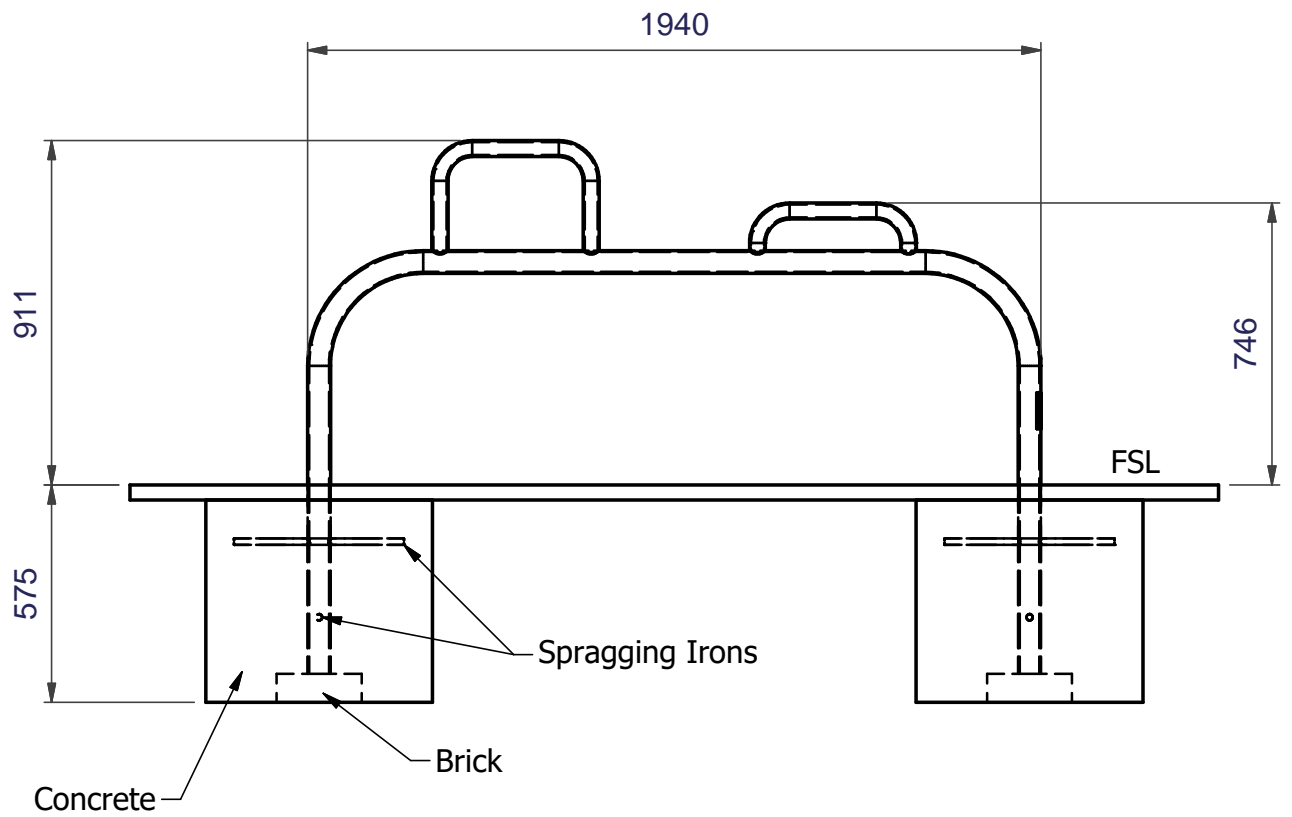
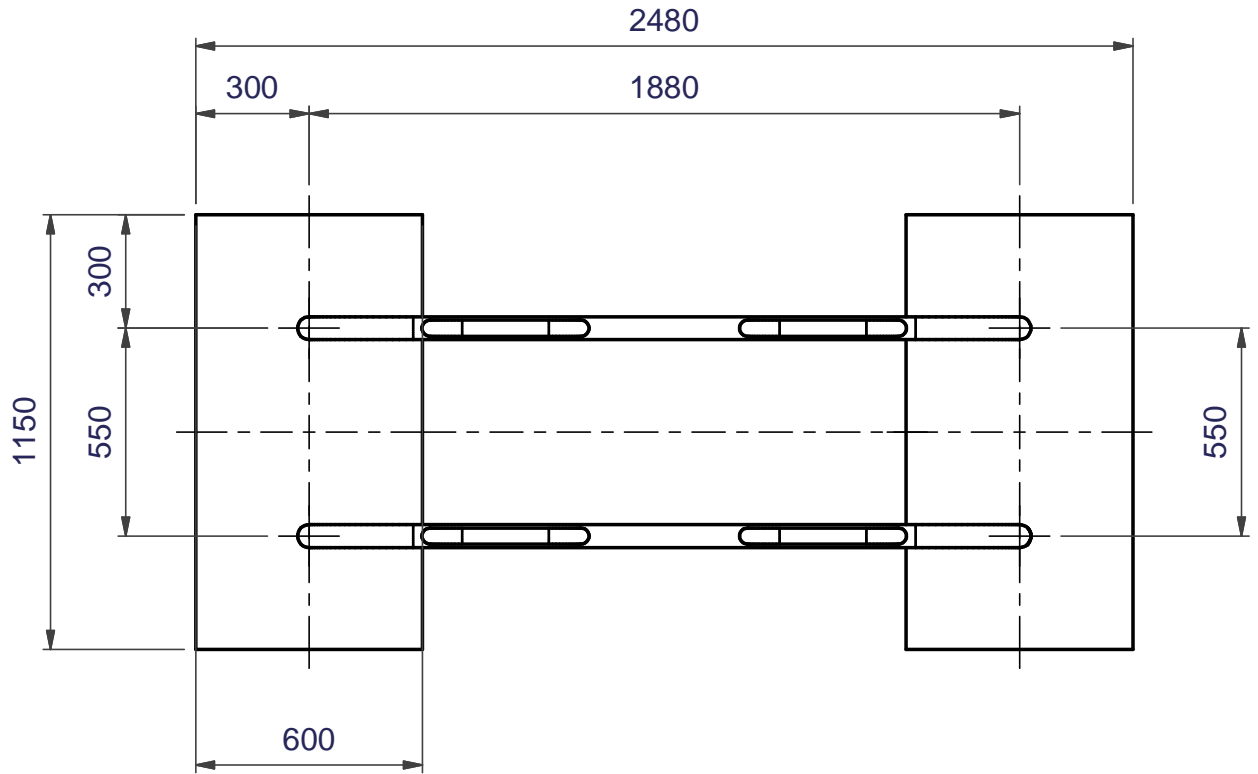
- 1 Read installation instructions thoroughly before commencing installation of unit.
- 2 Excavate two holes to 1150 x 600 x 575 deep - see page 2.
- 3 Position the unit centrally in the excavated holes ensuring the unit is perpendicular to the finished surface level, at the correct height and orientation. Backfill the holes with concrete (0.75 cu Metres) 4 parts gravel, 2 parts sand & 1 part cement.
- 4 Allow the concrete to set for 48 hours.

Note

Note Ensure all installation aids are removed before first use.

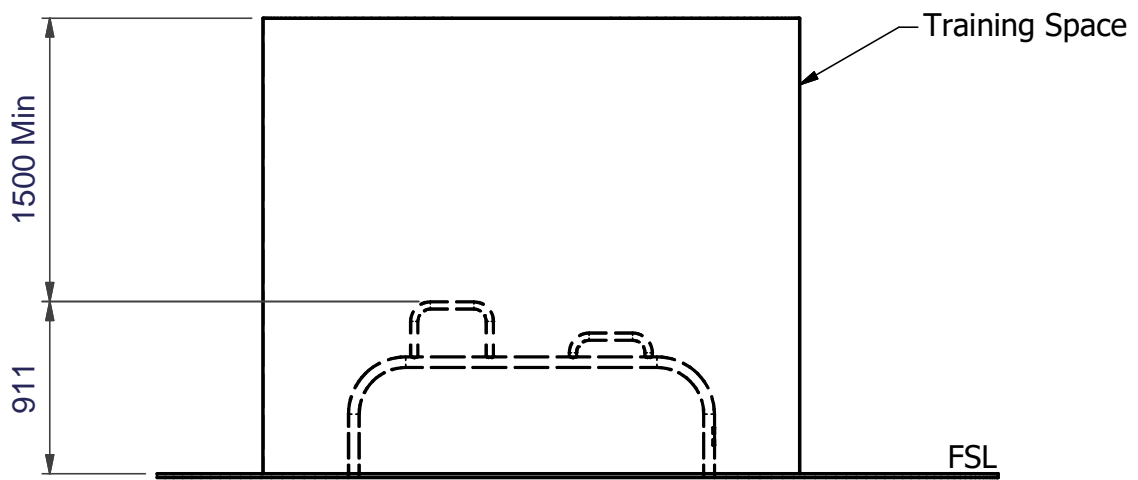
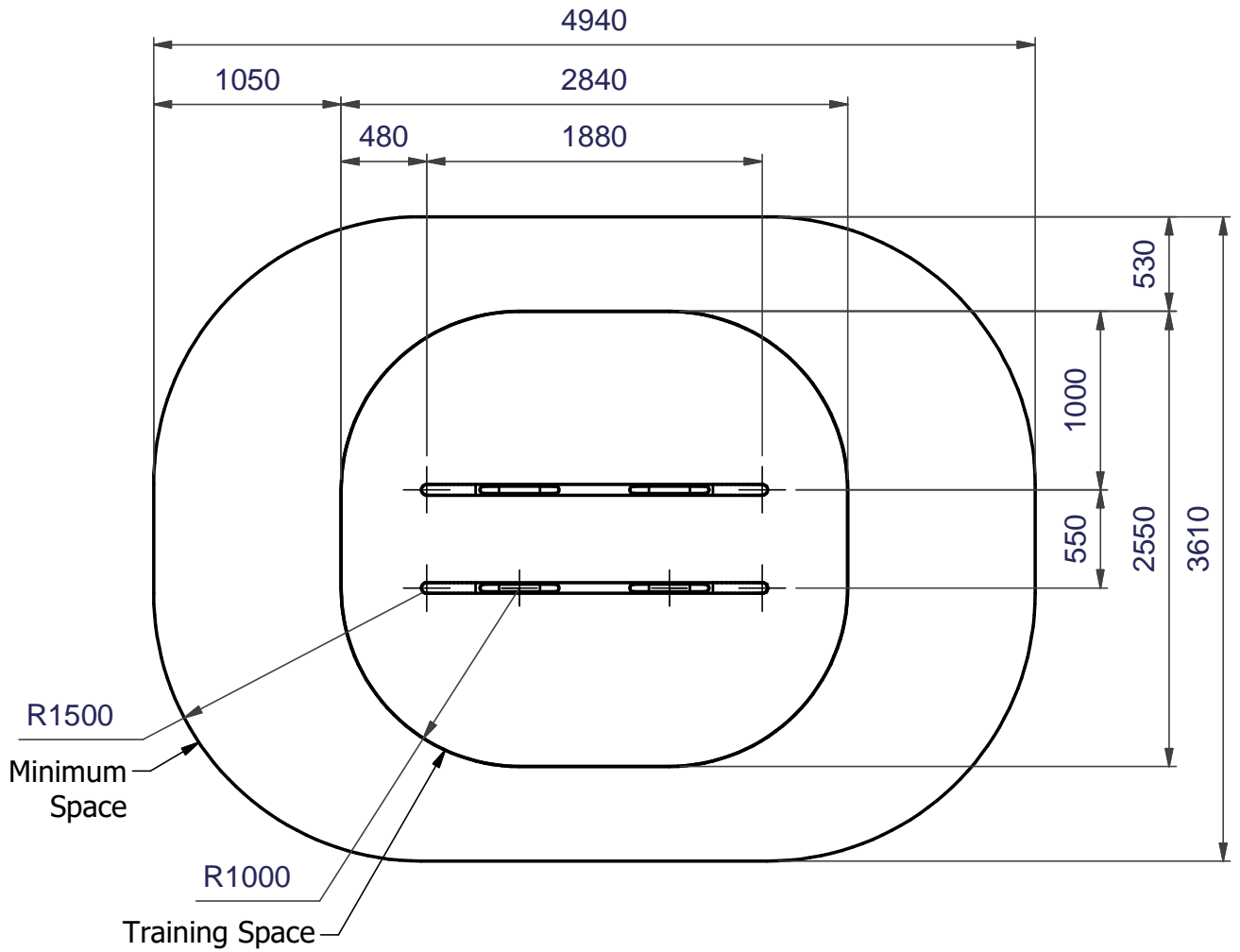
Foundation Detail

(Care must be taken in abnormal conditions)



FSL = Finished Surface Level

Minimum and Training Spaces

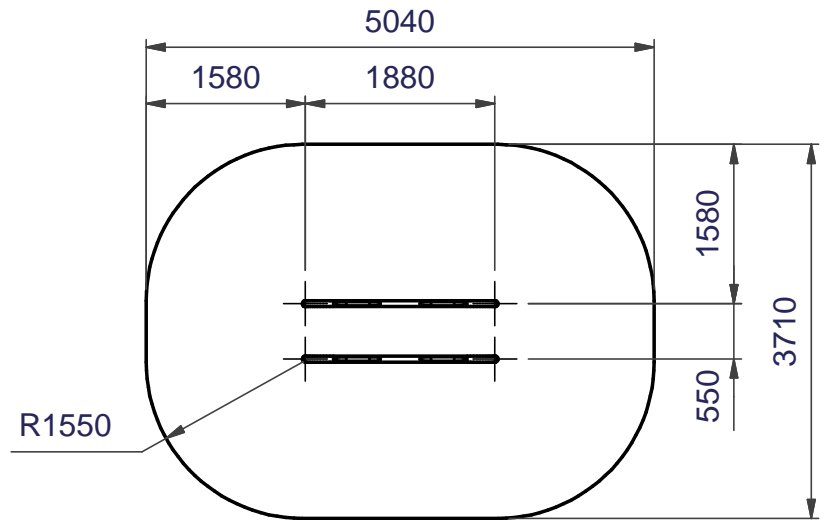


FSL = Finished Surface Level

Safety Surfacing

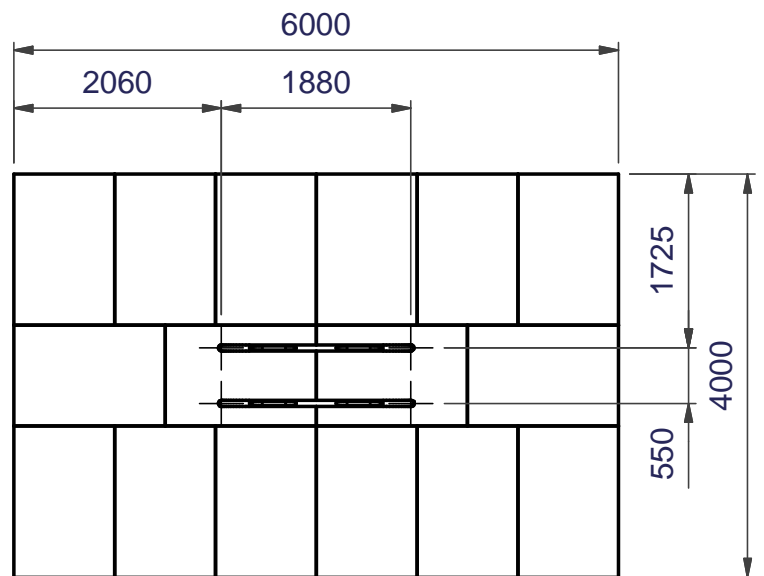
Wetpour

17.0 Sq. Metres 40mm Wetpour
15.0 Linear Metres Wetpour Edging



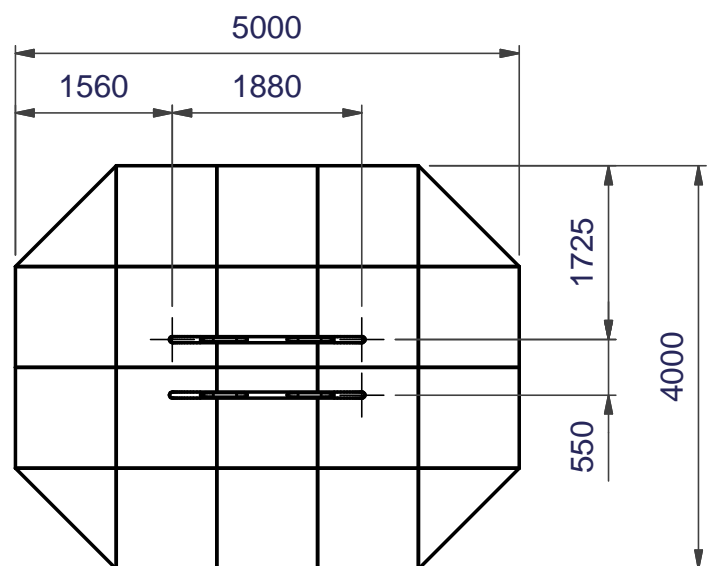
Grass Mats (1500 x 1000mm)

16 off Total

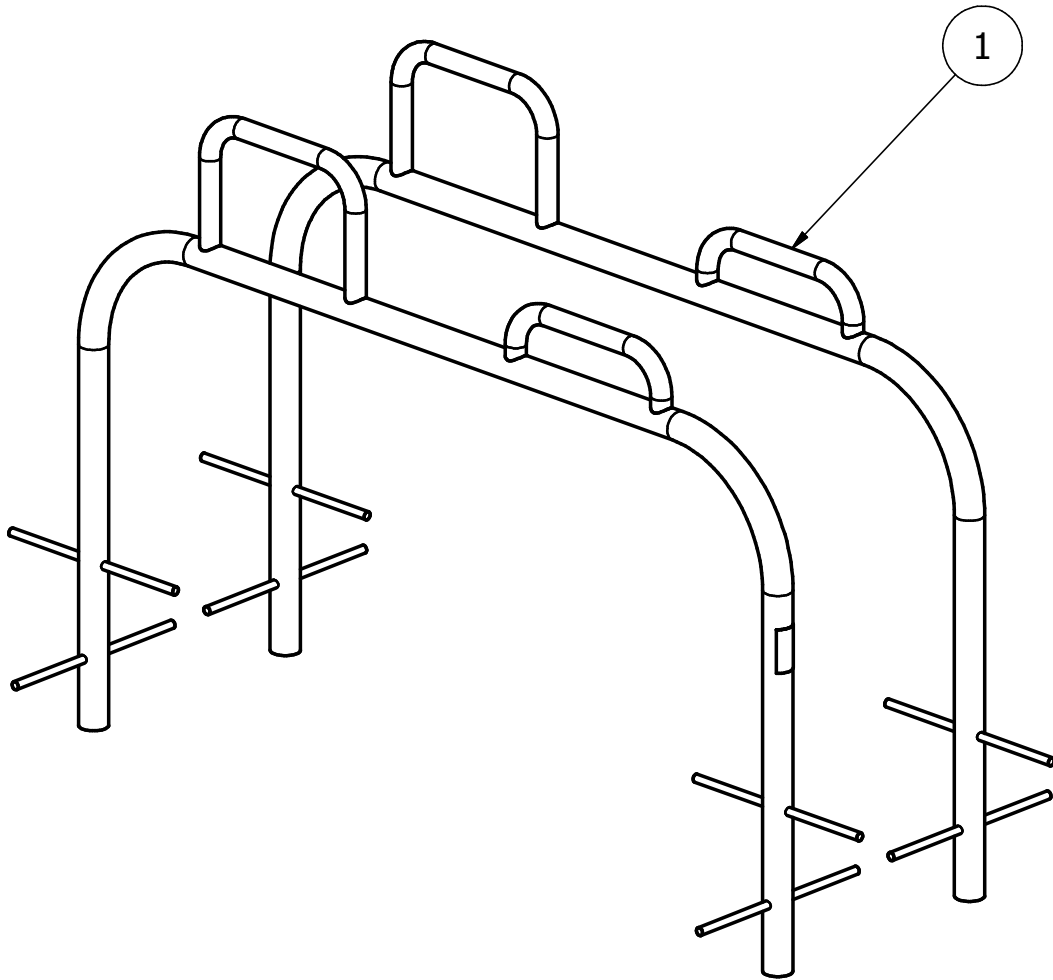


Safety Tiles (1000 x 1000mm)

18.0 Sq. Metres
40mm Thickness
16.0 Linear Metres of Tile Edging



Assembly View



Parts List			
ITEM	QTY	PART NUMBER	DESCRIPTION
1	2	4202-727	Dip Bar - W.A.

COMPILED MC	REV	0							
	ECN	1752							
DATE: 08/12/16	SIG.	MC							
	DATE:	08/12/16							

DESPATCH LIST

Product: 6210-093 Dip Bar - Fitness Legacy Zone

Date of Issue: 14/12/16

Order No:

Issue: A

Item	Unit Qty	Description	Part No.	Checked
1	2	Dip Bar W.A.	4202-727	
2				
3				
4				
5		Pre-assembled Labels		
6	1	Fitness Instruction Label (Dip Bar) *	2910-043	
7				
8				
9				
10				
11				
12				
13				
14				
15				
16				
17				
18				
19				
20				
21				
22				
23				
24		Items marked * to be fitted before despatch		
25				

Total No. of Items

Picked By:

Checked By:

COMPILED BY: MC	REV	0					
	ECN No.	1752					
DATE: 14/12/16	DATE	14/12/16					
	SIGN	MC					