

Fitness Legacy Zone	
Hamstring Stretch	
PROD. CODE	6210-092
SIZE	810x1190x60mm
AGE RANGE	14 to Adult
F/ FALL HEIGHT	<1200mm
HEAVIEST PART	Approx 31Kg
TOTAL WEIGHT	Approx 31Kg
	

SPECIFICATION

Steel bar to EN 10025
 Steel CHS to BS EN 10219
 Welding to EN ISO 14341:2011
 Polyester powder paint to EN 13438:2005

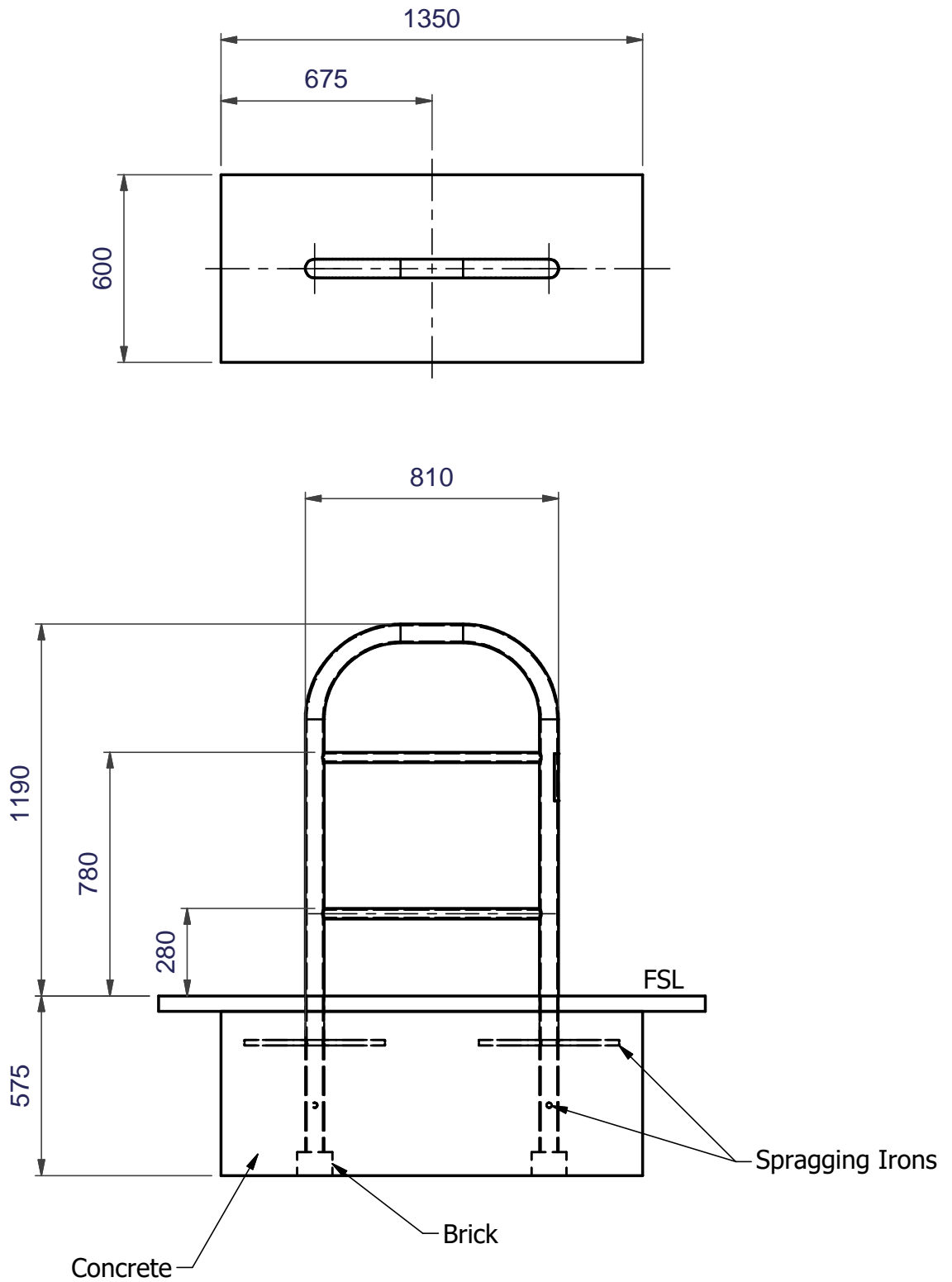
INSTALLATION INSTRUCTIONS

- 1 Read installation instructions thoroughly before commencing installation of unit.
- 2 Excavate one hole to 1350 x 600 x 575 deep - see page 2.
- 3 Position the unit centrally in the excavated hole ensuring the unit is perpendicular to the finished surface level, at the correct height and orientation. Backfill the holes with concrete (0.45 cu Metres) 4 parts gravel, 2 parts sand & 1 part cement.
- 4 Allow the concrete to set for 48 hours.

Note

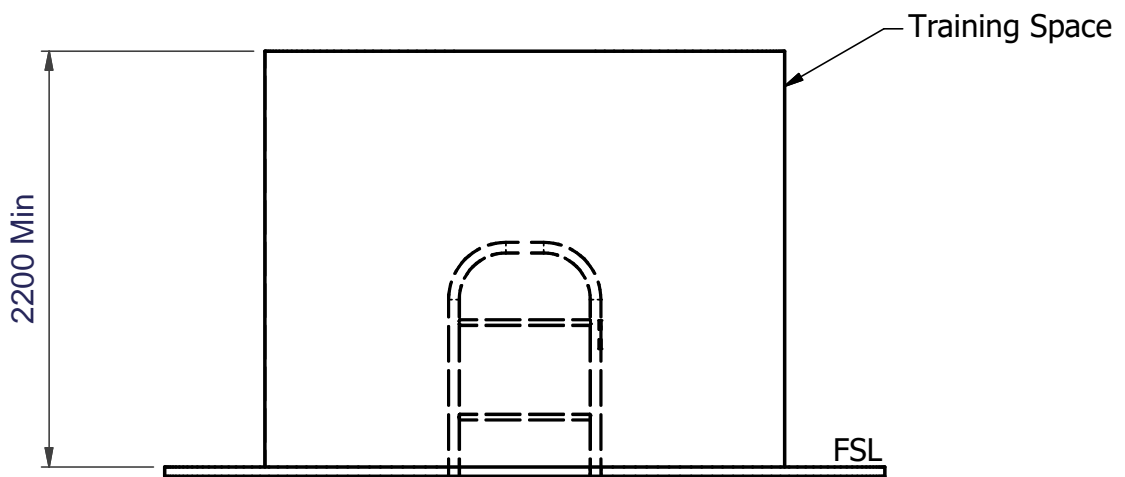
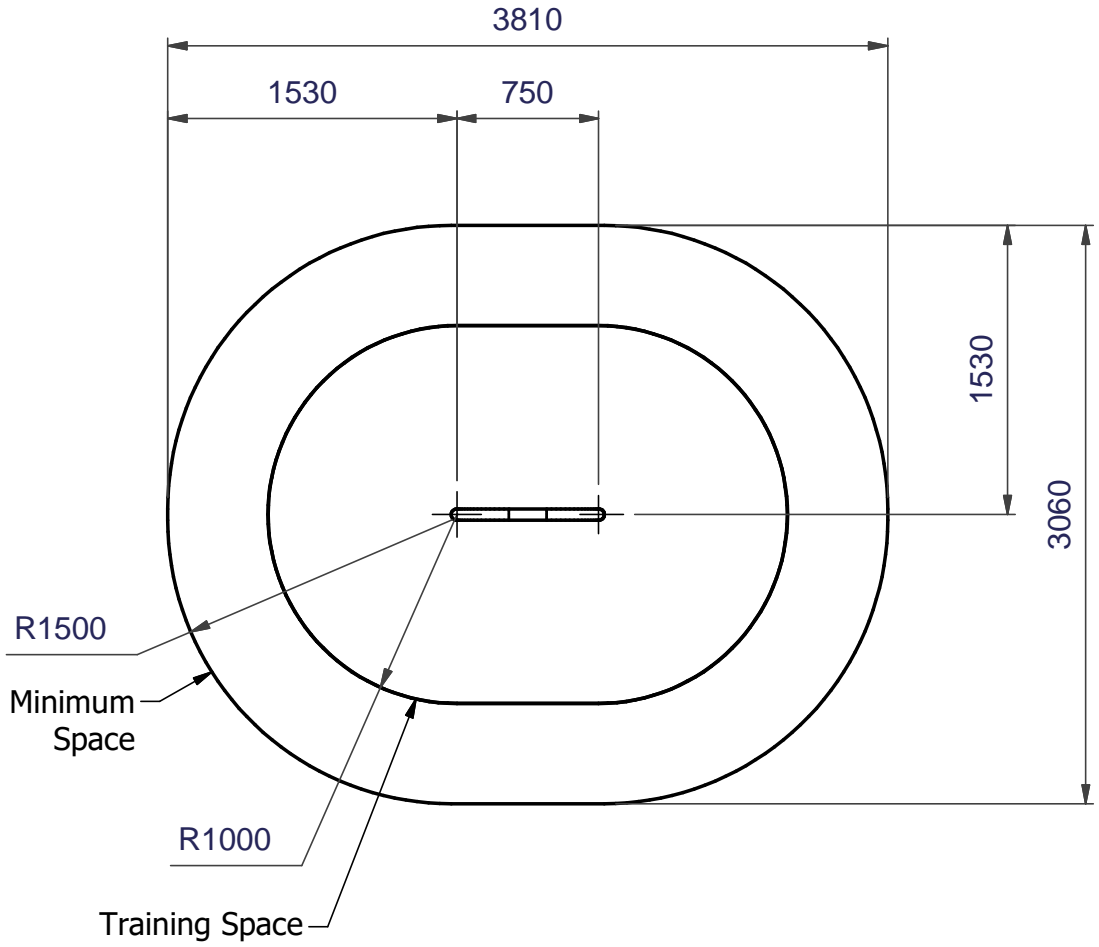
Note Ensure all installation aids are removed before first use.

Foundation Detail
(Care must be taken in abnormal conditions)



FSL = Finished Surface Level

Minimum and Training Spaces

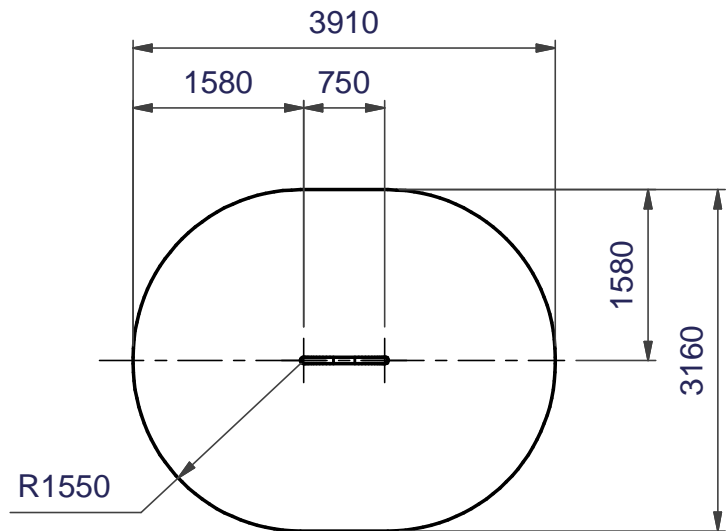


FSL = Finished Surface Level

Safety Surfacing

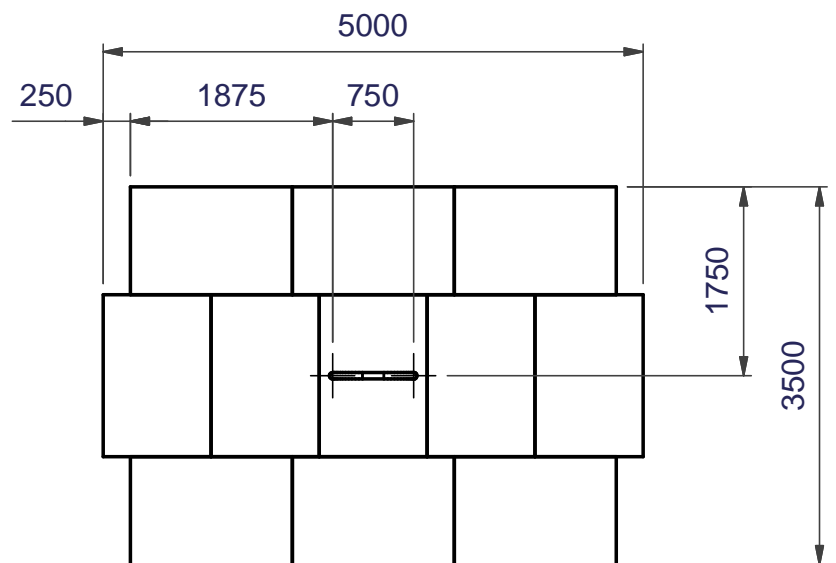
Wetpour

10.5 Sq. Metres 40mm Wetpour
11.5 Linear Metres Wetpour Edging



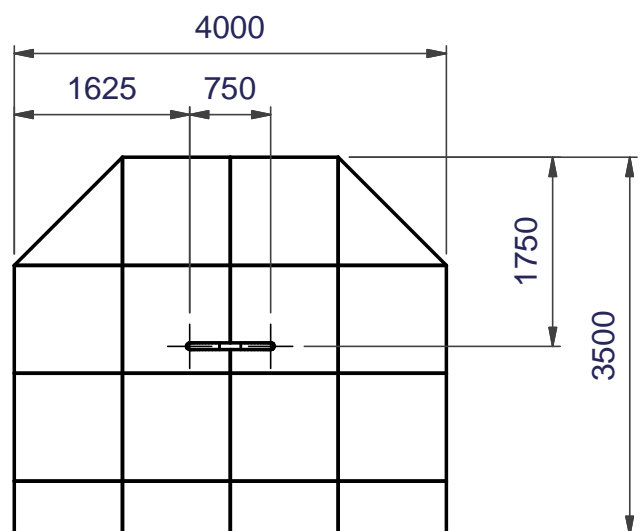
Grass Mats (1500 x 1000mm)

11 off Total

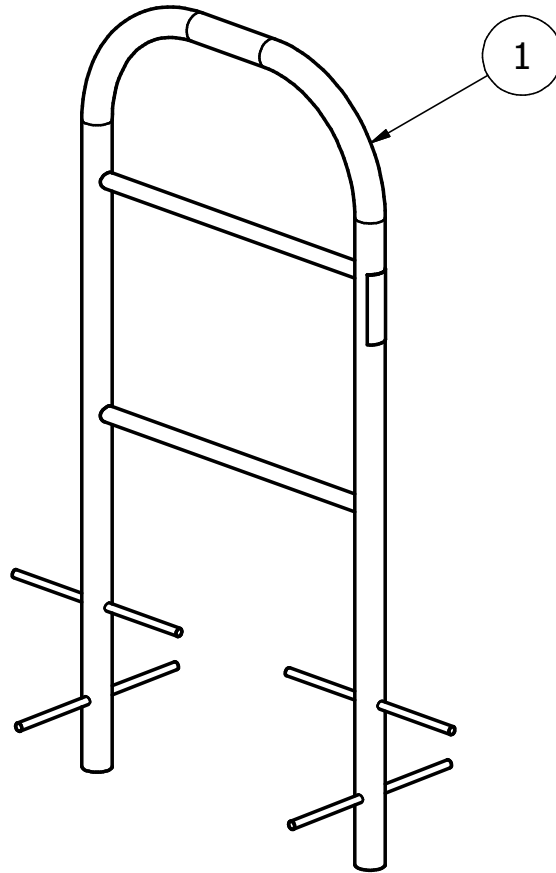


Safety Tiles (1000 x 1000mm)

13.0 Sq. Metres
40mm Thickness
14.0 Linear Metres of Tile Edging



Assembly View



Parts List			
ITEM	QTY	PART NUMBER	DESCRIPTION
1	1	4202-726	Hamstring Stretch - W.A.

COMPILED MC	REV	0							
	ECN	1752							
DATE: 08/12/16	SIG.	MC							
	DATE:	08/12/16							

DESPATCH LIST

Product: 6210-092 Hamstring Stretch - Fitness Legacy Zone Date of Issue: 14/12/16

Order No: Issue: A

Item	Unit Qty	Description	Part No.	Checked
1	1	Hamstring Stretch W.A.	4202-726	
2				
3				
4				
5		Pre-assembled Labels		
6	1	Fitness Instruction Label (Hamstring Stretch) *	2910-042	
7				
8				
9				
10				
11				
12				
13				
14				
15				
16				
17				
18				
19				
20				
21				
22				
23				
24		Items marked * to be fitted before despatch		
25				

Total No. of Items

Picked By: Checked By:

COMPILED BY: MC	REV	0					
	ECN No.	1752					
DATE: 14/12/16	DATE	14/12/16					
	SIGN	MC					