


Fitness Legacy Zone	
Vault Bar	
PROD. CODE	6210-091
SIZE	2460x1430x60mm
AGE RANGE	14 to Adult
F/ FALL HEIGHT	1450mm
HEAVIEST PART	Approx 35Kg
TOTAL WEIGHT	Approx 35Kg
	

SPECIFICATION

Steel bar to EN 10025
 Steel CHS to BS EN 10219
 Welding to EN ISO 14341:2011
 Polyester powder paint to EN 13438:2005

INSTALLATION INSTRUCTIONS

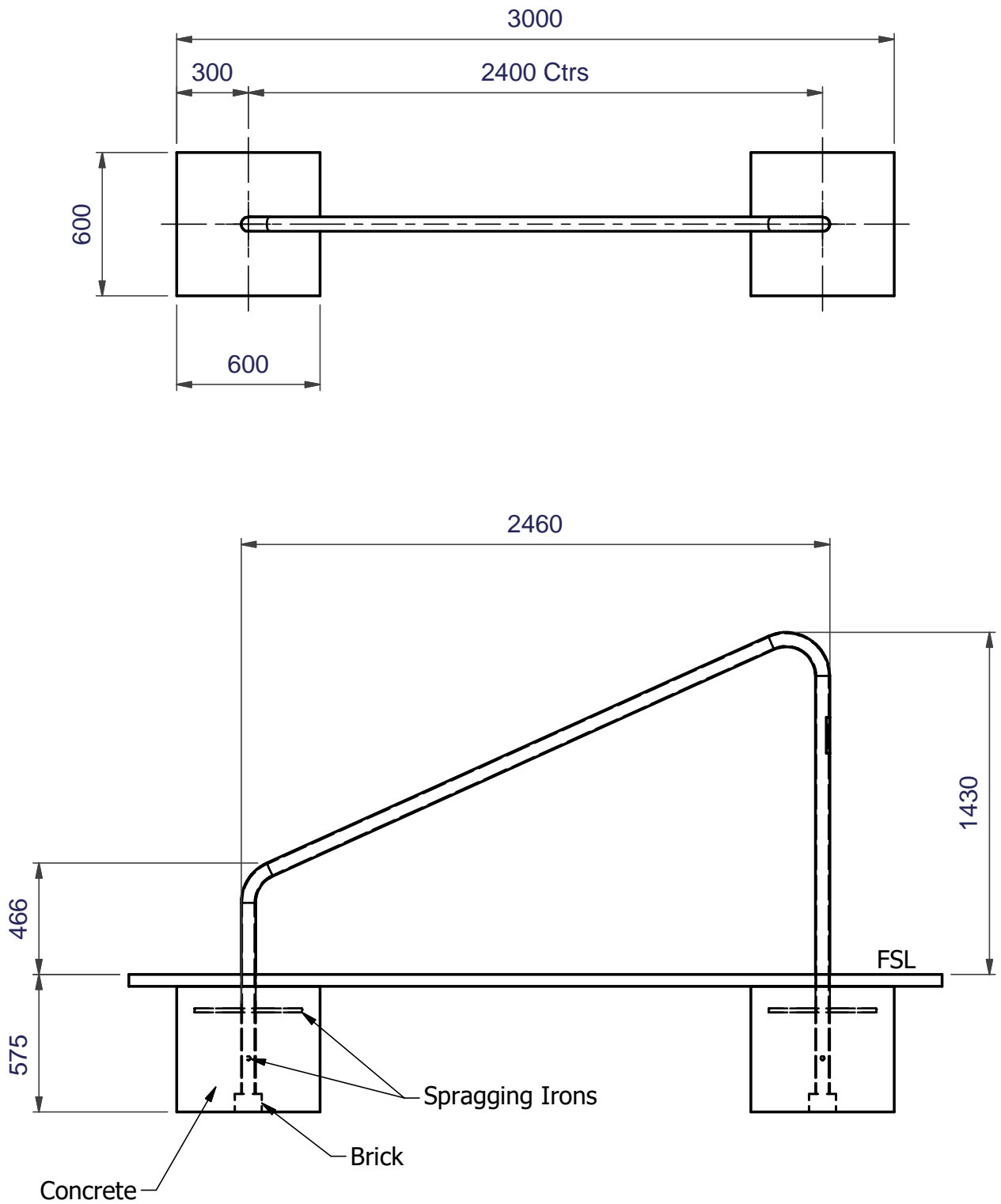
- 1 Read installation instructions thoroughly before commencing installation of unit.
- 2 Excavate two holes to 600 x 600 x 575 deep - see page 2.
- 3 Position the unit centrally in the excavated holes ensuring the unit is perpendicular to the finished surface level, at the correct height and orientation. Backfill the holes with concrete (0.40 cu Metres) 4 parts gravel, 2 parts sand & 1 part cement.
- 4 Allow the concrete to set for 48 hours.

Note

Note Ensure all installation aids are removed before first use.

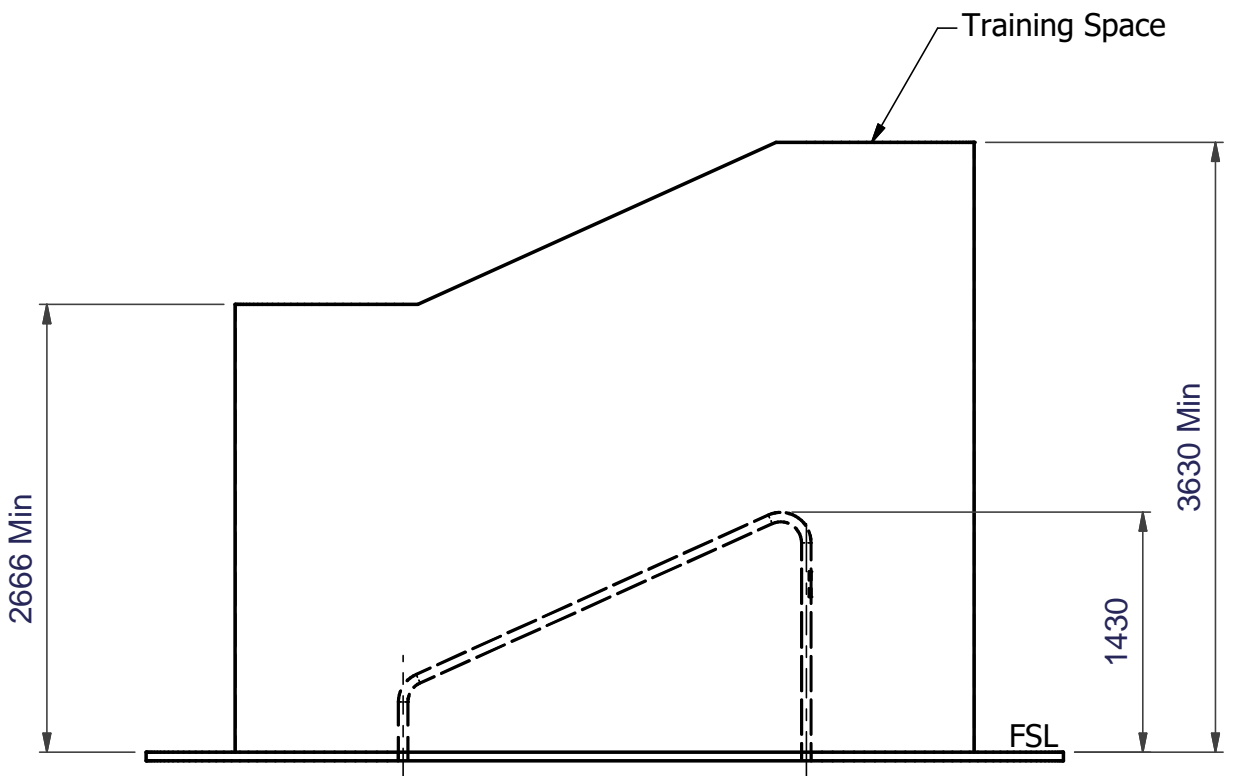
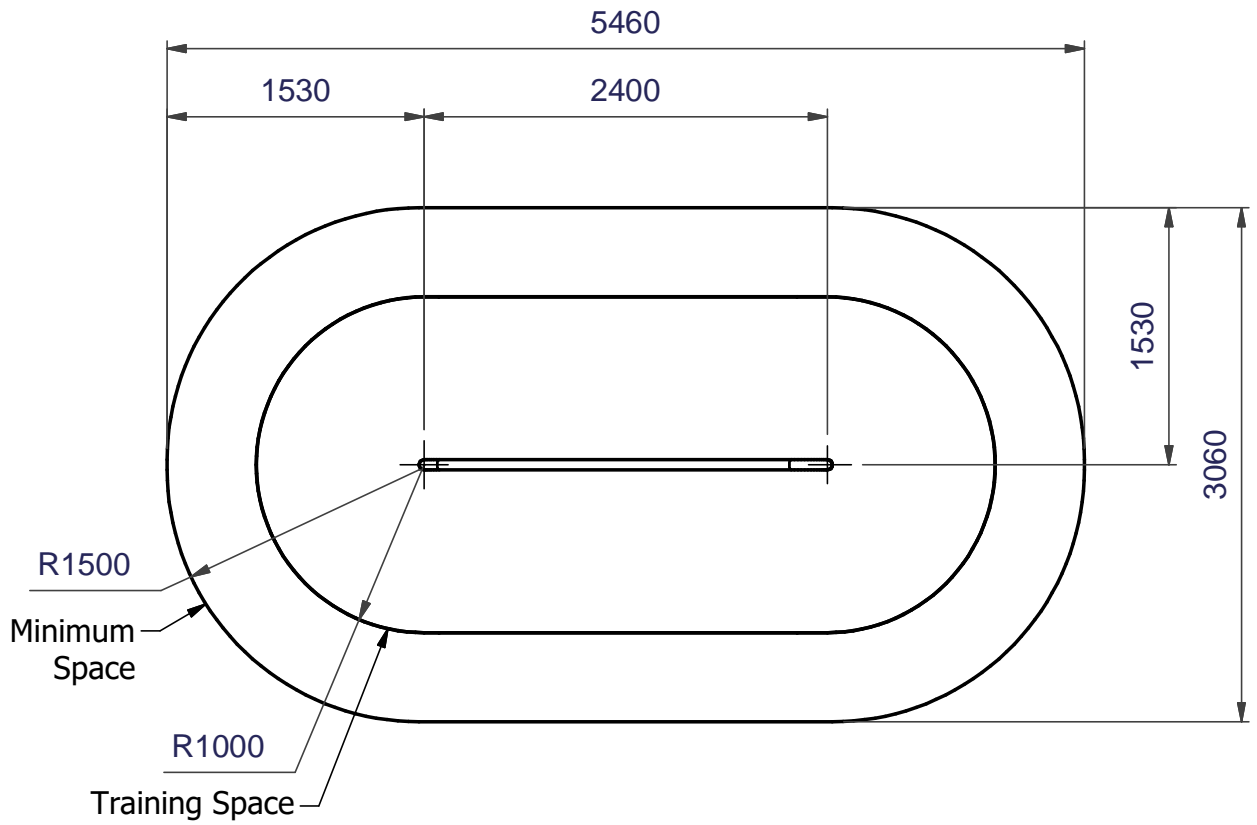
Foundation Detail

(Care must be taken in abnormal conditions)



FSL = Finished Surface Level

Minimum and Training Spaces

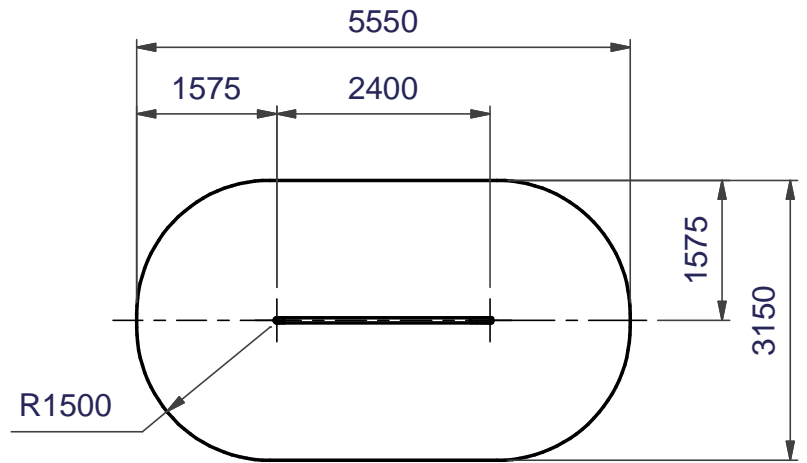


FSL = Finished Surface Level

Safety Surfacing

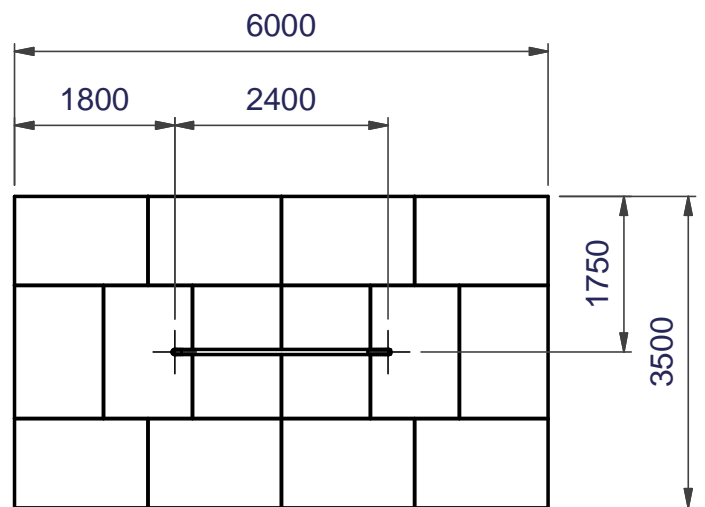
Wetpour

15.5 Sq. Metres 60mm Wetpour
15.0 Linear Metres Wetpour Edging

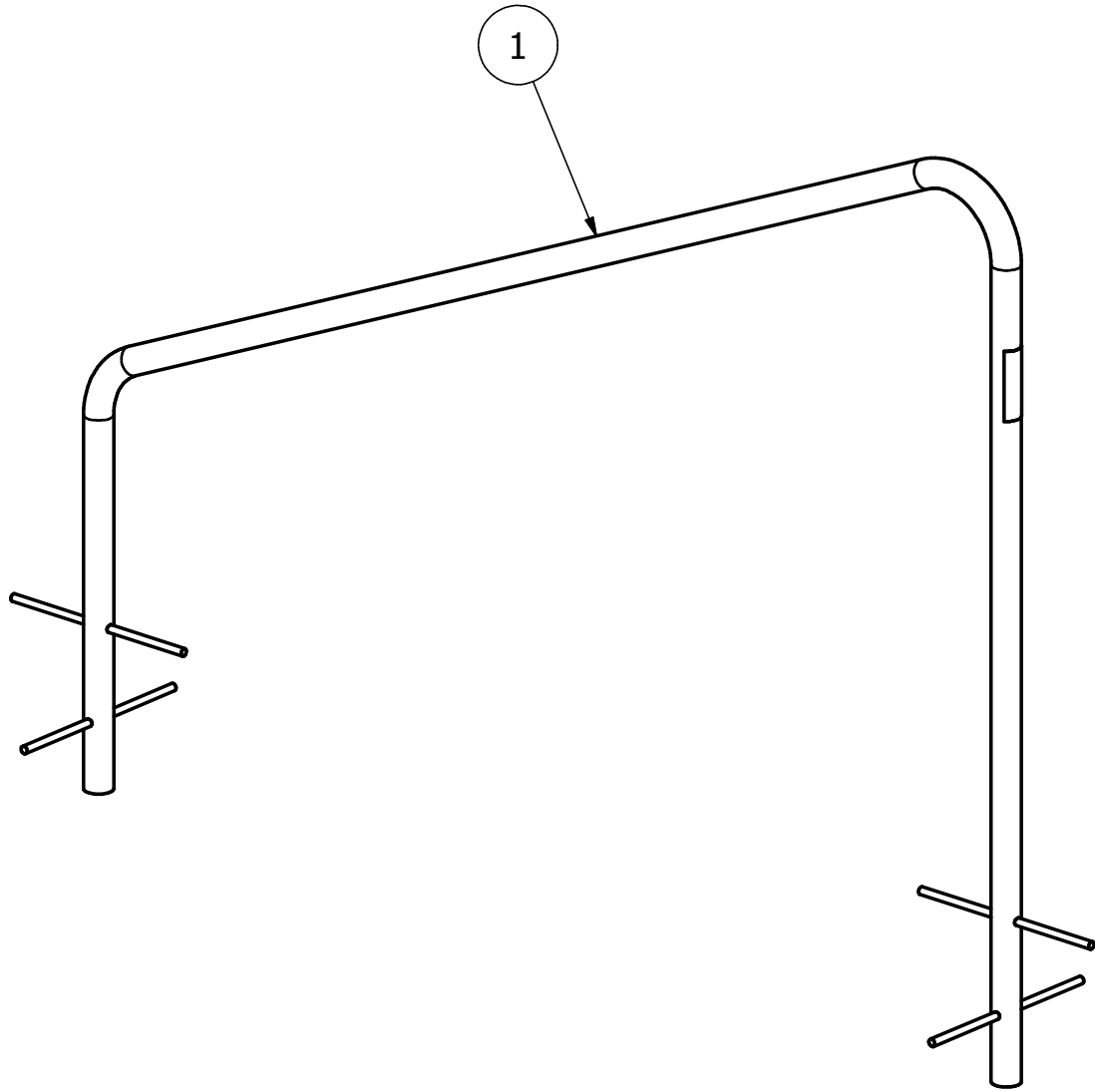


Grass Mats (1500 x 1000mm)

14 off Total



Assembly View



Parts List			
ITEM	QTY	PART NUMBER	DESCRIPTION
1	1	4202-725	Vault Bar - W.A.

COMPILED MC	REV	0	1						
	ECN	1752	Minor						
DATE: 08/12/16	SIG.	MC	MC						
	DATE:	08/12/16	15/11/18						

DESPATCH LIST

Sheet 1 of 1

Product: 6210-091 Vault Bar - Fitness Legacy Zone

Date of Issue: 14/12/16

Order No:

Issue: A

Item	Unit Qty	Description	Part No.	Checked
1	1	Vault Bar W.A.	4202-725	
2				
3				
4				
5		Pre-assembled Labels		
6	1	Fitness Instruction Label (Vault Bar) *	2910-041	
7				
8				
9				
10				
11				
12				
13				
14				
15				
16				
17				
18				
19				
20				
21				
22				
23				
24		Items marked * to be fitted before despatch		
25				

Total No. of Items

Picked By:

Checked By:

COMPILED BY: MC	REV	0					
	ECN No.	1752					
DATE: 14/12/16	DATE	14/12/16					
	SIGN	MC					