


<b>Fitness Legacy Zone</b>	
<b>Two Wheel Spinner</b>	
PROD. CODE	6210-075
SIZE	1150x1400x785mm
AGE RANGE	14 to Adult
F/ FALL HEIGHT	<600mm
HEAVIEST PART	Approx 47Kg
TOTAL WEIGHT	Approx 92Kg
	

**SPECIFICATION**

Steel plate to EN 10025  
 Steel CHS to EN 10219  
 Welding to EN ISO 14341:2011

Polyester powder paint to EN 13438:2005  
 Standard fixings to BS 3692:2001 and BS 4190:2001  
 Non-standard fixings are anti-vandal and corrosion resistant

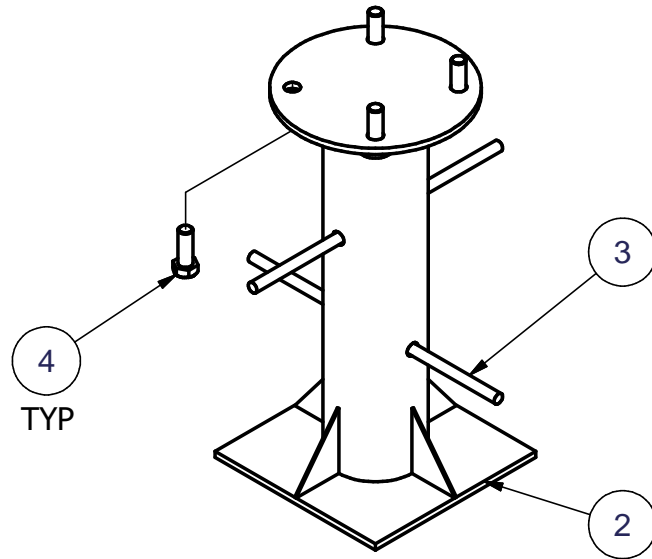
**INSTALLATION INSTRUCTIONS**

- 1 Read installation instructions thoroughly before commencing installation of unit.
- 2 Excavate one hole 1300 x 600 x 600 deep - see page 2.
- 3 Position and assemble the below ground fixings with spragging irons (see page 2) centrally in the excavated hole so the eight bolts are pointing upwards ensuring that the top plate is flush with the finished surface level.
- 4 Check alignment of bolts and backfill the holes with concrete (0.35 cu Metres) (4 parts gravel, 2 parts sand & 1 part cement) ensuring the below ground fixing is perpendicular to the finished surface level.
- 5 Allow the concrete to set for 48 hours.
- 6 Position the unit on the below ground fixings and fit using one M20 washer, one M20 spring washer and one M20 nut per bolt as shown on page 3. Ensure unit is perpendicular to the ground surface. Ensure all moving parts move freely without obstruction. Centre punch thread in two places on all eight M20 Bolts and then fit nut cap (see page 3).

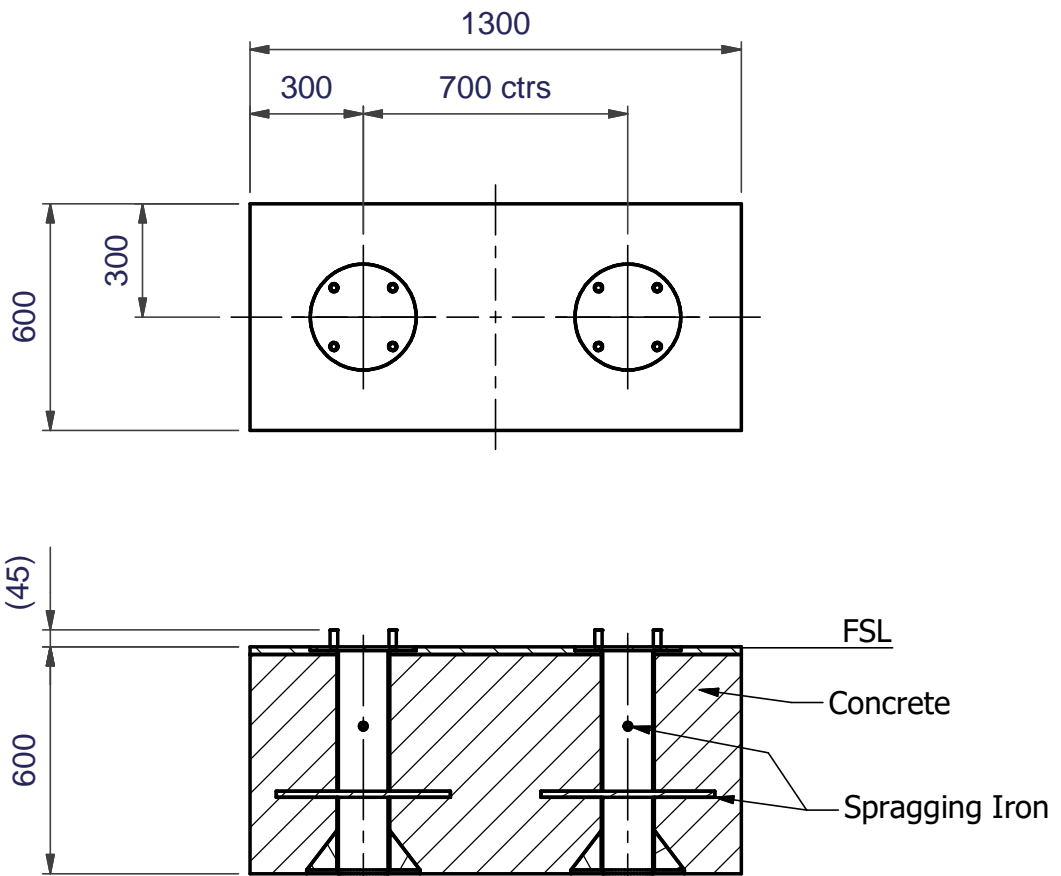
**Note** Use Installation Aid (3720-184) for Below Ground Fixing.

**Note** Ensure all installation aids are removed before first use.

Below Ground Fixing Details  
(2 off)

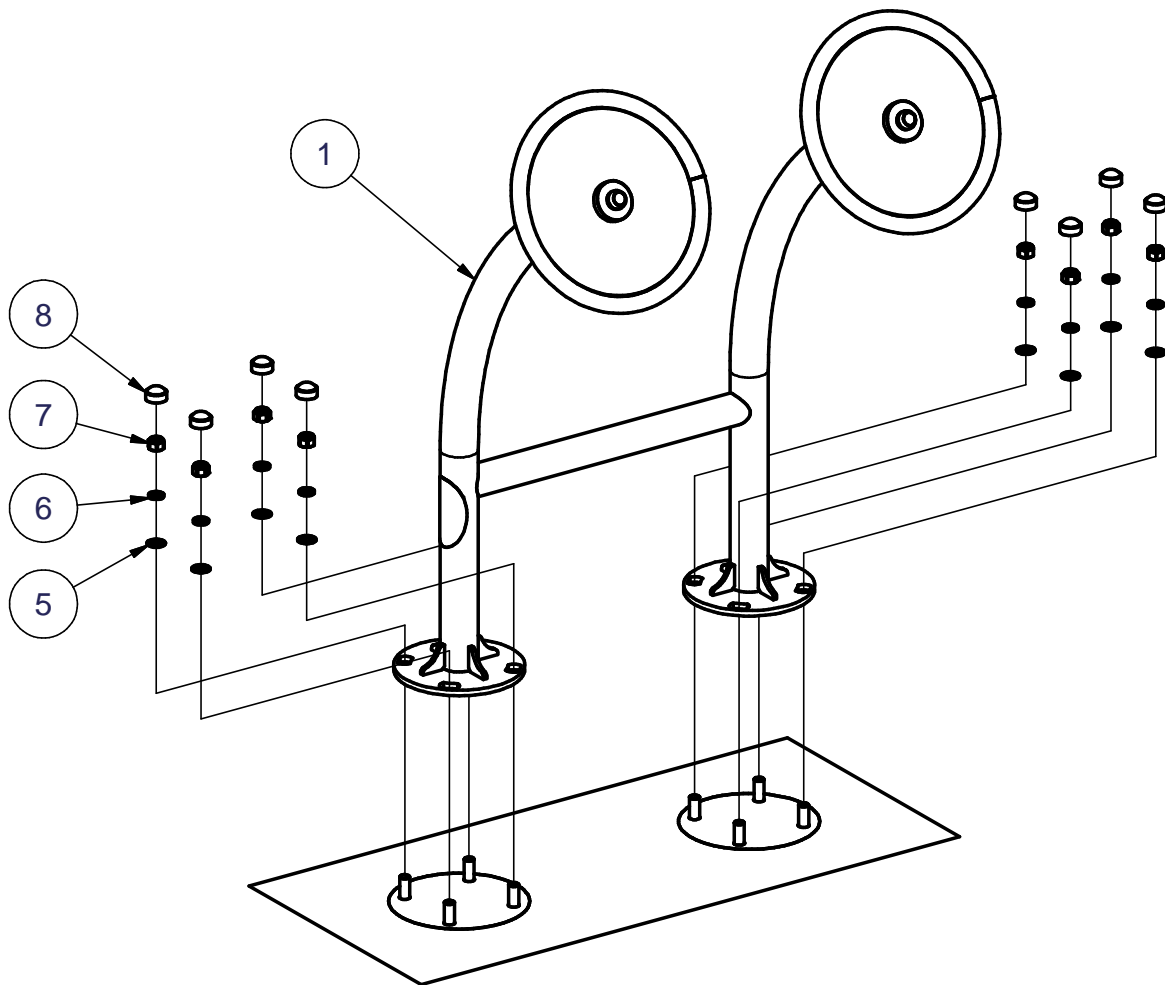


Foundation Detail  
(Care must be taken in abnormal conditions)

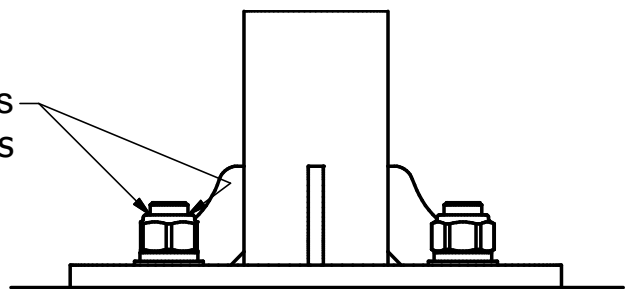


FSL = Finished Surface Level

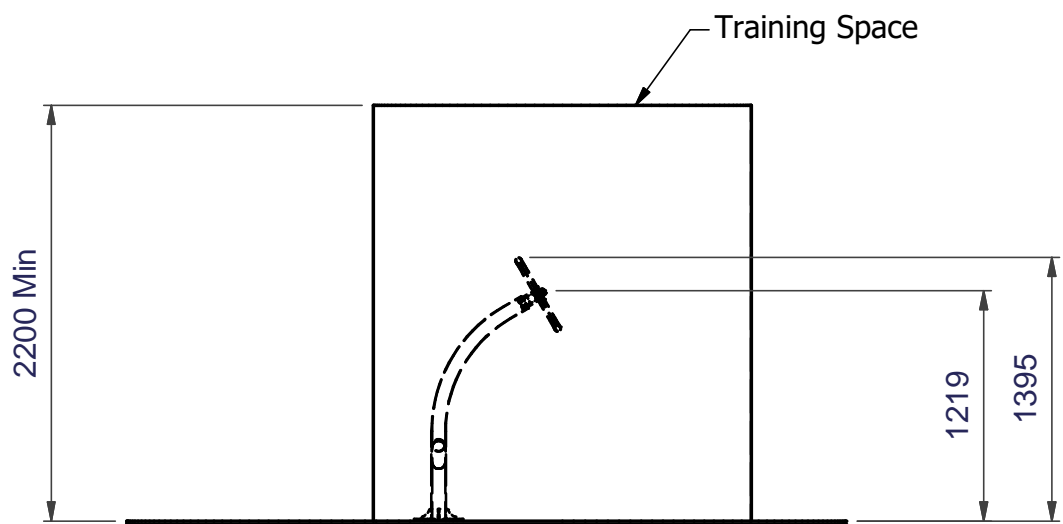
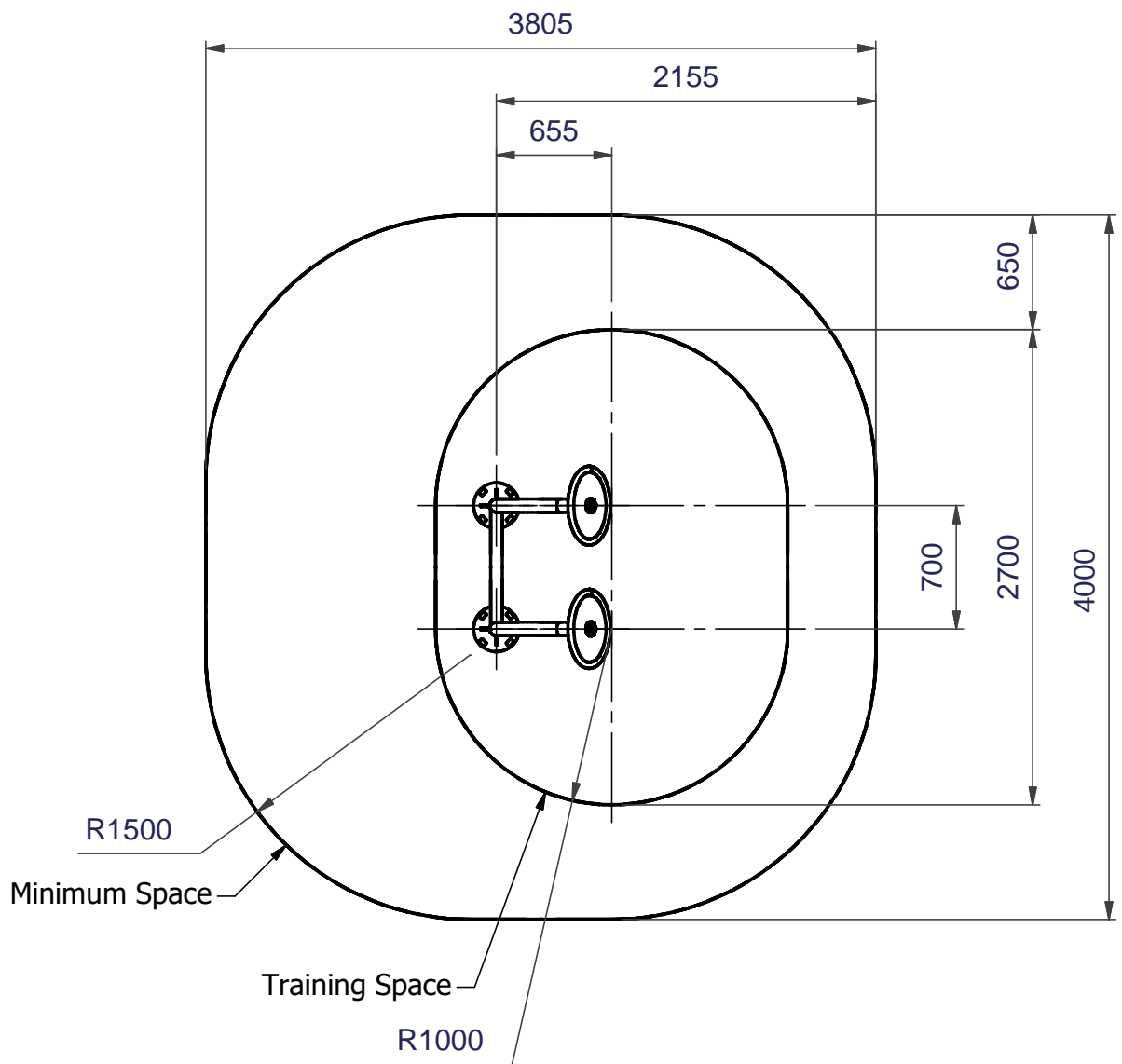
# Two Wheel Spinner Unit to Below Ground Fixing Details



Centre punch thread in two places  
on all eight M20 Bolts



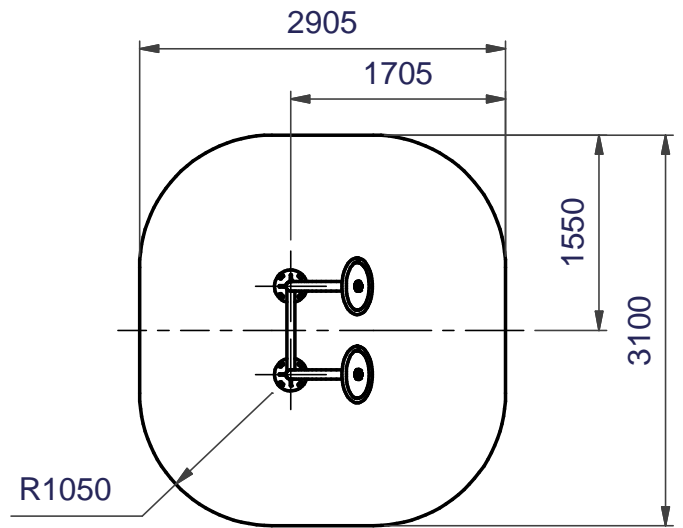
# Minimum and Training Spaces



## Safety Surfacing

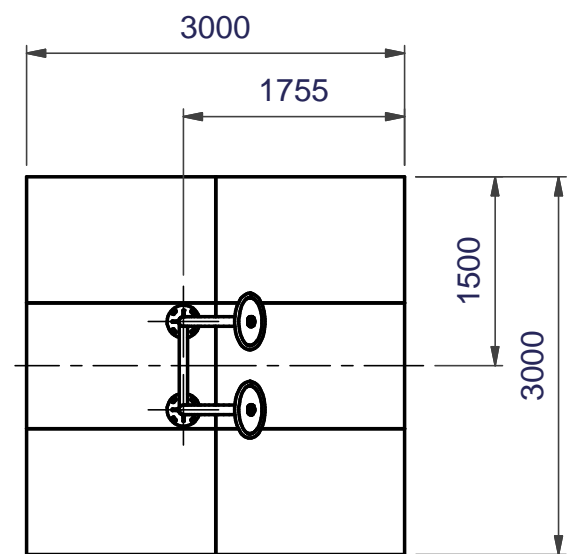
### Wetpour

8.5 Sq. Metres 20mm Wetpour  
10.5 Linear Metres Wetpour Edging



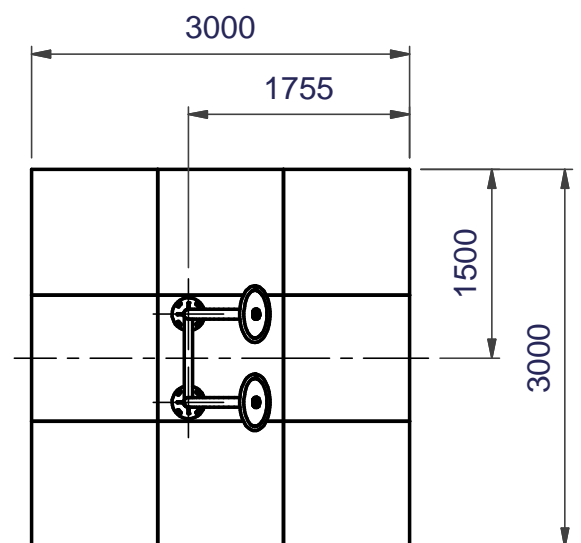
### Grass Mats

6 off Total



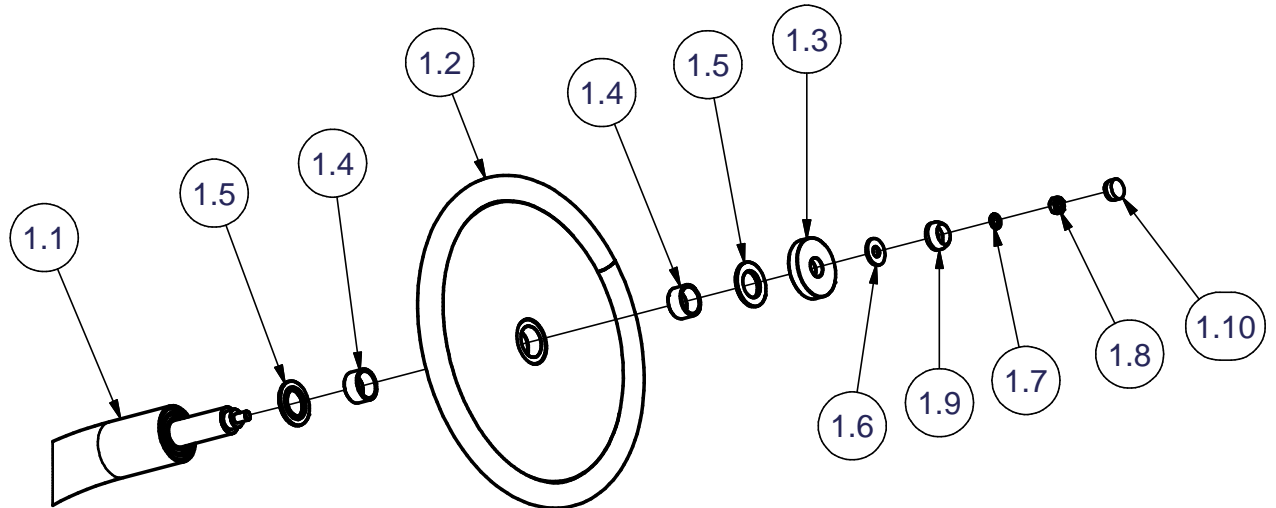
### Safety Tiles

9.0 Sq. Metres  
40mm Thickness  
12.0 Linear Metres of Tile Edging



## Fixing Details for Maintenance

### Wheel Spinner Assembly



Parts List

ITEM	QTY	PART NUMBER	DESCRIPTION
1	1	5104-027	Two Wheel Spinner Assembly
1.1	1	4202-747	Two Wheel Spinner W.A.
1.2	2	4202-748	Wheel Frame Assembly
1.3	2	3030-483	Spacer Hand Wheel
1.4	4	2540-005	TUFCOT BEARING
1.5	4	3030-397	Bearing Washer
1.6	2	2215-515	M12 EXTRA LARGE PLAIN WASHER
1.7	2	2212-213	M12 NORD LOCK WASHER
1.8	2	2191-011	M12 Binx Nut
1.9	2	2611-031_Cup	Black Poepplemann Cup
1.10	2	2611-031_Cap	Black Poeppelmann Cap
2	2	5071-031	BELOW GROUND FIXING
3	4	3030-310	460mm Spragging Iron
4	8	2175-181	M20 x 55 HT HEX HD SCREW
5	8	2215-512	M20 WASHER 2mm THK
6	8	2212-206	20mm SPRING WASHER
7	8	2192-012	M20 nyloc nut
8	8	2613-021	M20 Nut Cap

COMPILED MC	REV	0							
	ECN	1752							
DATE: 24/02/17	SIG.	MC							
	DATE:	24/02/17							

# DESPATCH LIST

Product: 6210-075 Two Wheel Spinner Date of Issue: 15/02/17  
 Fitness Legacy Zone

Order No: Issue: A

Item	Unit Qty	Description	Part No.	Checked
1	1	Two Wheel Spinner Assembly	5104-027	
2	2	BGF upright	5071-031	
3	1	Fixing pack		
4				
5				
6		<b>Pre-assembled Labels</b>		
7	1	Fitness Instruction Label (Wheel Spinner) *	2910-014	
8				
9				
10				
11				
12				
13				
14				
15				
16				
17				
18				
19				
20				
21				
22				
23				
24		<b>Items marked * to be fitted before despatch</b>		
25				

Total No. of Items

Picked By: Checked By:

COMPILED BY: MC	REV	0				
	ECN No.	1752				
DATE: 15/02/17	DATE	15/02/17				
	SIGN	MC				

# FIXINGS LIST

Product: 6210-075 Two Wheel Spinner Date of Issue: 15/02/17  
Fitness Legacy Zone

Order No: \_\_\_\_\_ Issue: A

Item	Unit Qty	Description	Part No.	Checked
1	4	460mm Spragging Iron	3030-310	
2	8	M20 x 55 HT Hex Head Screw	2175-181	
3	8	M20 Washer 2mm Thk	2215-512	
4	8	M20 Spring Washer	2212-206	
5	8	M20 Nyloc Nut	2192-012	
6	8	M20 Nut Cap	2613-021	
7				
8				
9				
10				
11				
12				
13				
14				
15				
16				
17				
18				
19				
20				
21				
22				
23				
24				
25				

Total No. of Items

Picked By: \_\_\_\_\_ Checked By: \_\_\_\_\_

COMPILED BY:	MC	REV	0				
		ECN No.	1752				
		DATE	15/02/17				
DATE:	15/02/17	SIGN	MC				