

## Mini Goal c/w Basketball & Wickets & Target Panels

### MODULAR GOAL SYSTEM

PRODUCT CODE	6200-146	
SIZE:	5900mm x 700mm x 3035mm	
WEIGHT OF HEAVIEST PART	110Kg	

#### **SPECIFICATION**

**Uprights:** Manufactured from 100 x 100 RHS to BS4848 part 2.  
**Crossbars:** Manufactured from 100 x 100 RHS to BS4848 part 2.  
**Panels:** Square Grid Section constructed with 25 x 3mm plain load bars and 6mm round bars welded at 50mm centres surrounded by 25 x 25 RHS Frame.  
**Welds:** Copper free wire conforming to 2901 AIB for mild steel.  
**Finish:** Low lead polyester powder paint to BS EN 71 part 3.

#### **INSTALLATION INSTRUCTIONS**

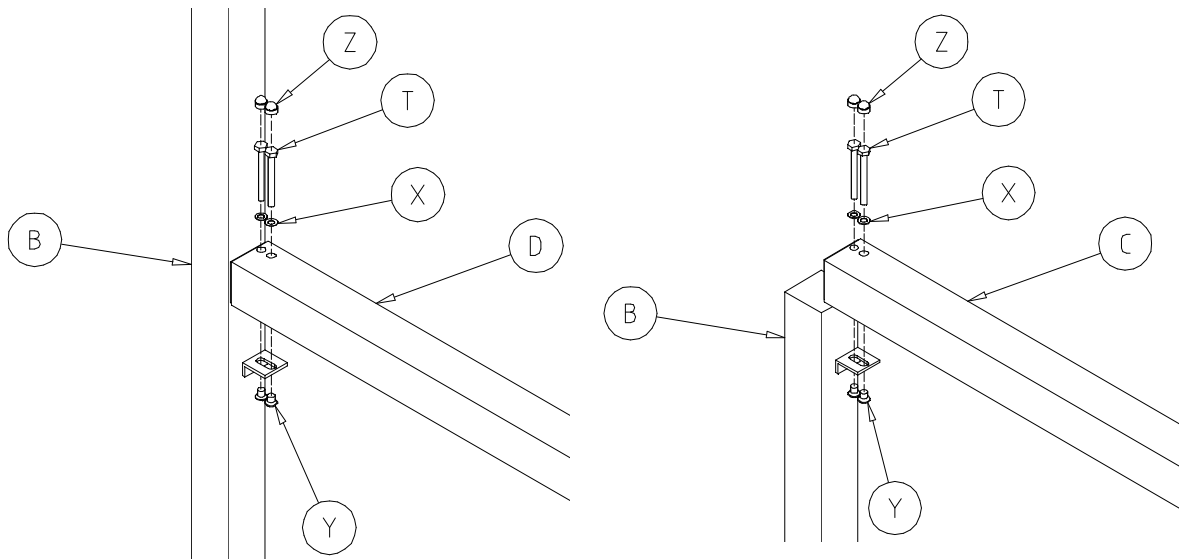
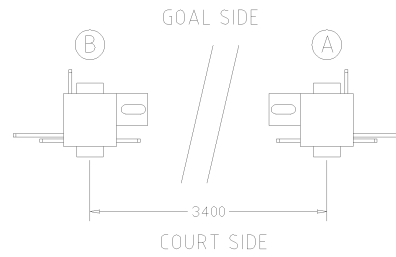
1. Read installation instructions through before commencing erection of unit.
2. Do NOT tighten fastenings until the unit is completely assembled
3. Excavate foundations as shown on page 8.
4. Use the M12 Plugs (AA) supplied to fill in any air holes in the uprights or Tee Cross Support Frame.

**Note:** All protruding screw threads to be peened over to remove sharp edges.  
Lifting aid will be required when installing this piece of equipment.

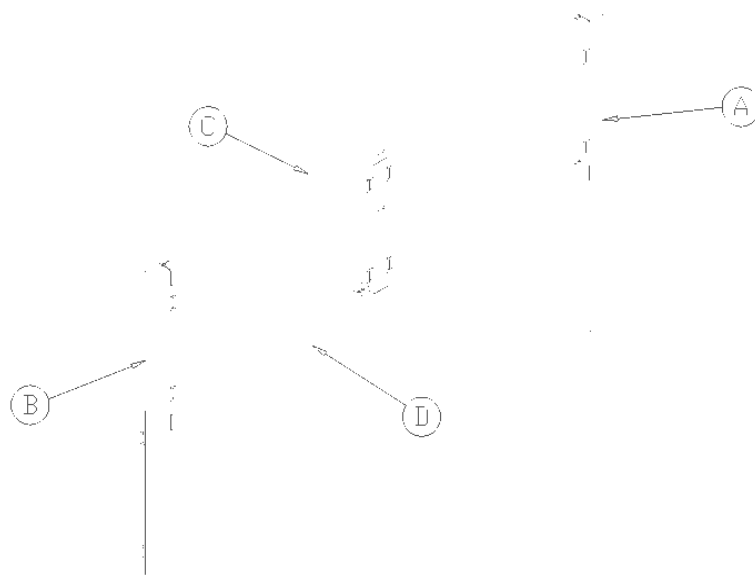
Note:-Ensure all installation aids are removed before first use.

**GOAL FRAME FIXING DETAIL**

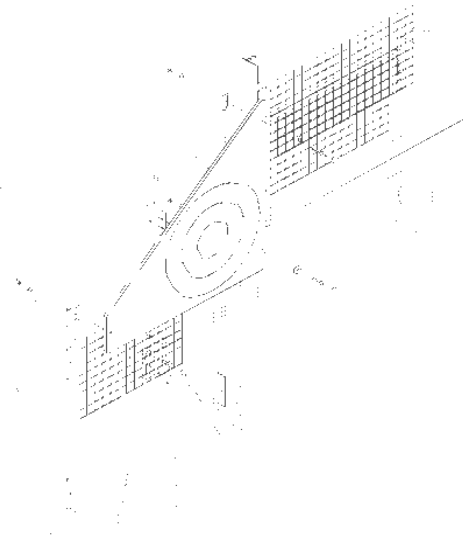
1. Erect Goal Posts (A & B) ensuring correct orientation as shown in plan view .
2. Position Mini Goal Crossbar (D) onto Angle Brackets on the Goal Posts.
3. Fix in place using M12 x 100 Lg Hex Head Bolt (T), M12 Flat Washer (X) and an M12 Safety Fastener (Y). Use supplied adhesive to fix the M12 Nut Covers to the Bolt Heads.
4. Place Tee Cross Frame Assembly (C) onto Goal Crossbar (D) and fix using the same method as specified above. See Diagram below for correct orientation of Goal Frame.



**MINI TARGET GOAL ASSEMBLY**



### TARGET PANEL FIXING DETAIL

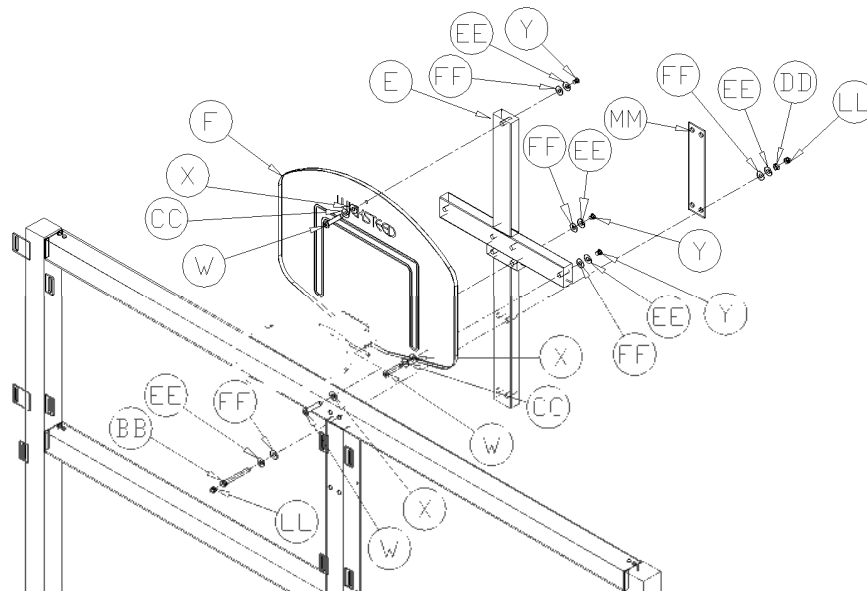


1. With Reference to the diagram above, attach the Target Panel (N) to the Goal Post (B,A) and the Panel Upright (U) using M10 x 40 Hex Head Screw (P), M10 Wicksteed Washer (J) Green Poeplemann Cap (S) & Cup (R) and M10 Permacone Nut (L).

### BASKETBALL BOARD FIXING DETAIL

#### **Note**

Ensure backboard and frame are square before drilling holes & tightening M16 x 150 bolts. Adjustments can be made due to clearance holes in fixing plate

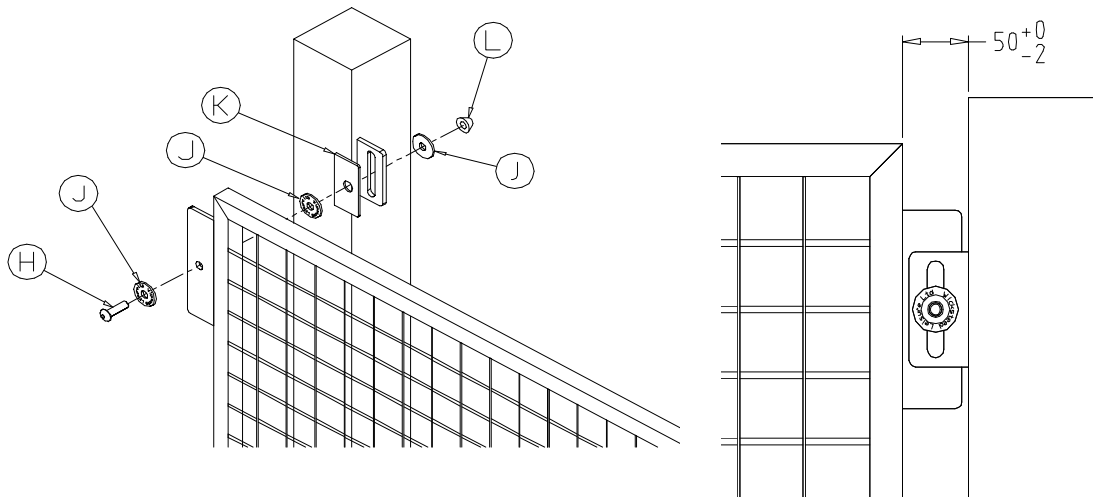


1. With Reference to the diagram above, attach the Basketball Support Frame (E) to the Tee Cross Frame (C) using M16 x 180 Hex Head Screw (BB), M16 Spring Washer (EE) and M16 Flat Washer (FF), through the Backing Plate (MM) and fasten with M16 Nyloc Nut (DD) Use supplied adhesive to secure M16 Nut Covers (LL) to the bolt and nut.
2. Position The Basketball Board (F) as shown and fix in position using M12 x 70 Pentagon Button Head Screw (W), M12 Spring Washer (CC), M12 Flat Washer (X), M16 Flat Washer (FF) M16 Spring Washer (EE) & M12 Safety Fastener (Y).
3. Attach the Basketball Hoop by using M12 x 70 Pentagon Button Head Screw (W) , M12 Flat Washer (X), M16 Flat Washer (FF) M16 Spring Washer (EE) & M12 Safety Fastener (Y).

### **PANEL FIXING DETAIL**

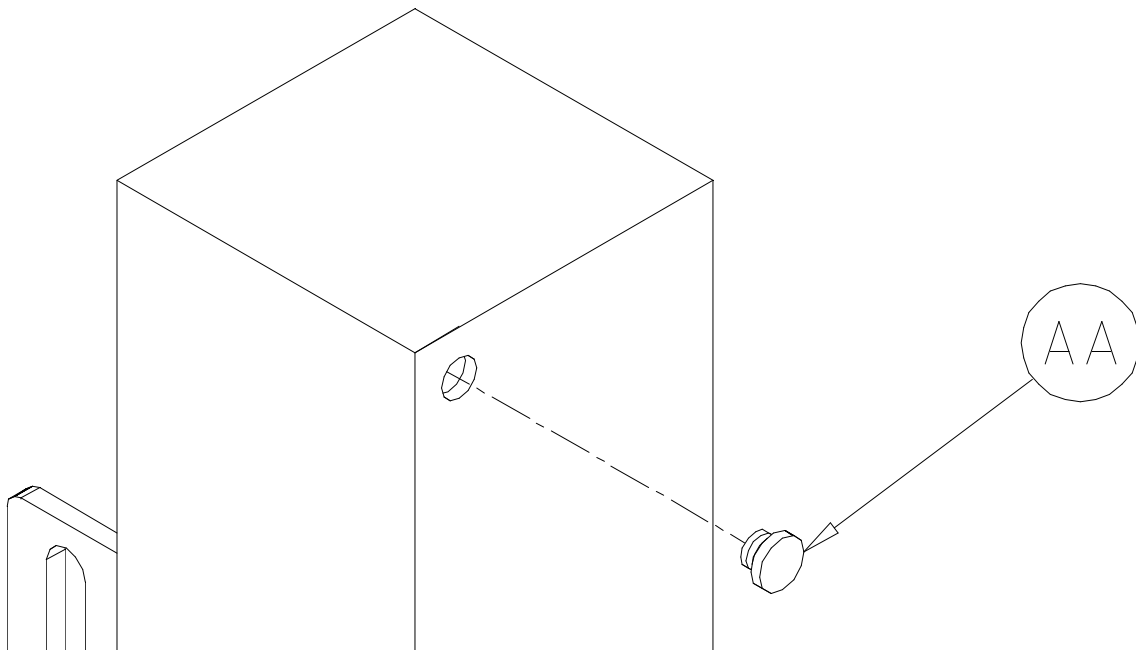
**POSITION ALL PANELS IN EACH SECTION BEFORE SHEARING PERMACONE NUTS.  
SEE POST PLAN FOR UPRIGHT POSITIONS**

1. Erect upright ensuring correct orientation as shown. Place Panels so the Panel is flush with the Court Side face of the Upright.
2. Attach the panels to the upright lugs using M10 x 30 Pentagon Button Head Screws (H), Wicksteed Washer (J – 2 off), Neoprene Spacer (K) & Permacone Shear Nut (L).
3. Assuming that there is a level playing surface, ensure that the fixings are positioned centrally in the slotted fixing lug so that the Neoprene Spacer (K) is not visible. View shown (rightmost image) is from the outside of the court looking inwards showing the back of the panel.
4. **To avoid any 8-25mm finger traps ensure that the distance between the edge of the panel and inside of the uprights does not exceed 50mm.**
5. Hammer or deform ends of screw threads once the permacone nuts have been snapped off.

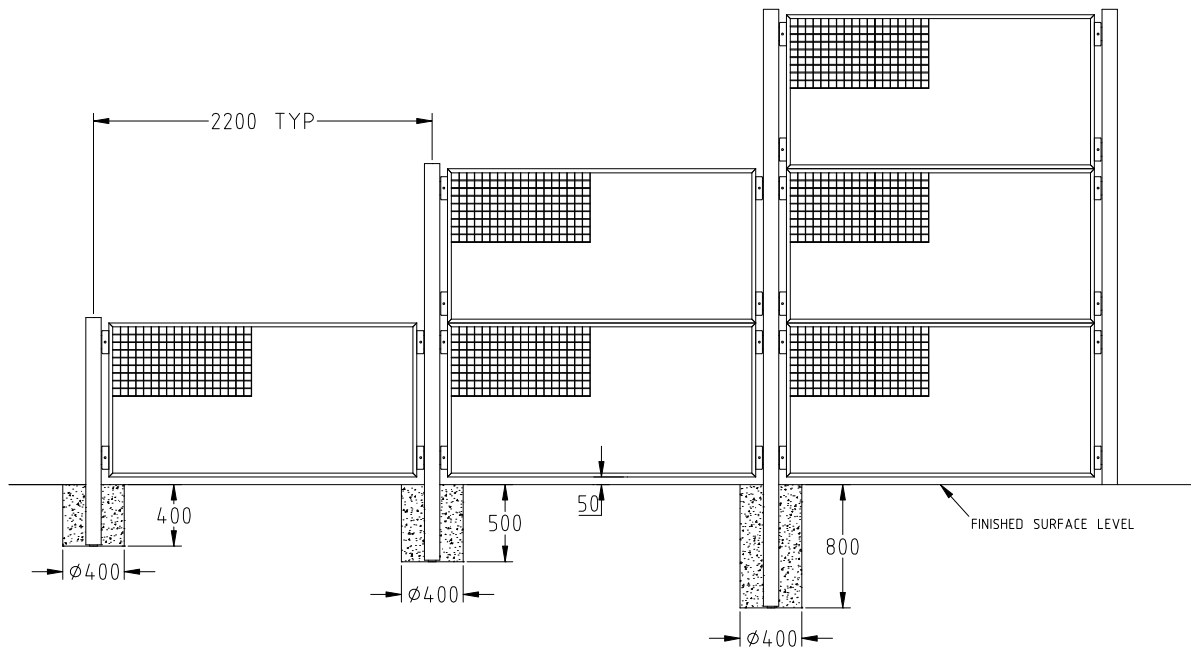


### **PLUG FIXING DETAIL**

Fill holes in ALL of the uprights using M12 Plastic Plugs (AA) as shown to stop any water getting in. As standard there will be 2 in each upright and 2 per Tee Cross Support Frame.



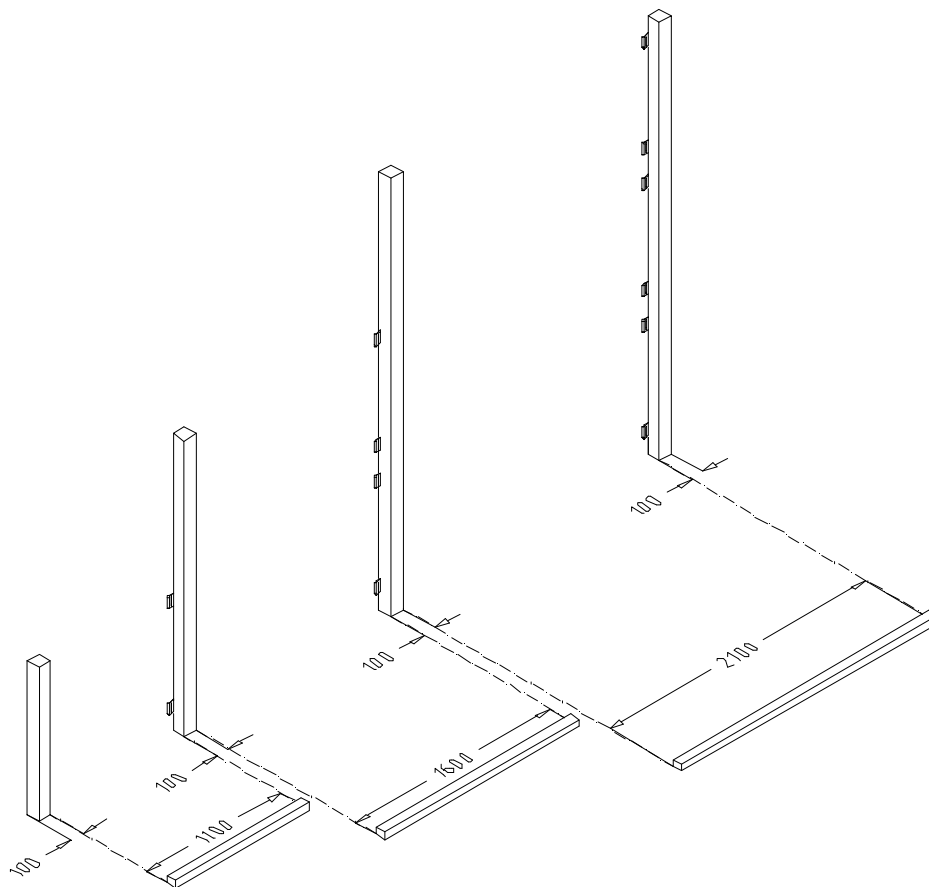
### TYPICAL UPRIGHT FOUNDATION DETAIL



Typical Upright Foundation Detail –

- Dig Foundations to depths and dimensions specified in the Foundation section of this document.
- Wherever possible, maintain a 50mm gap between the Panel and Finished Surface Level.

## POST SPACING METHOD



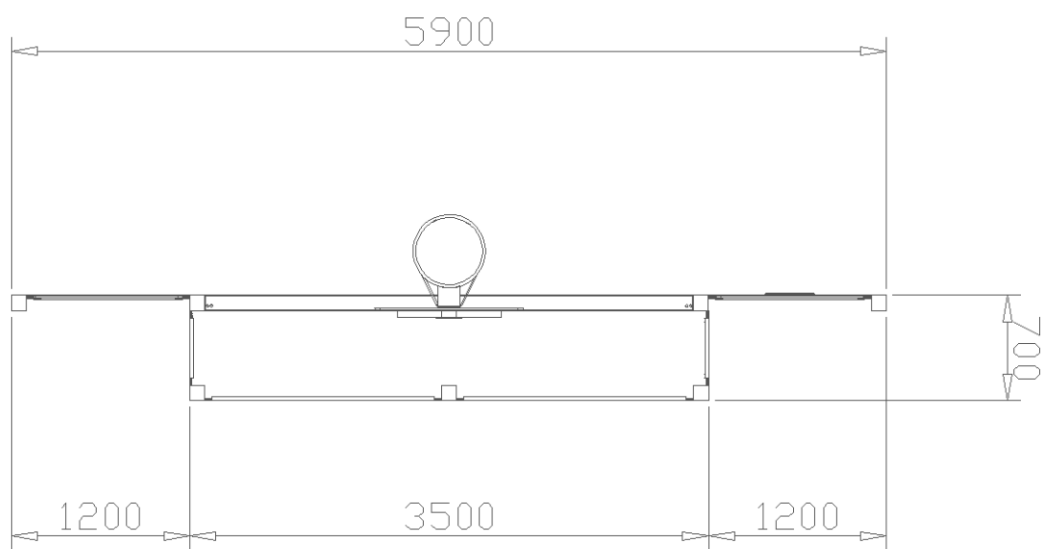
Battens for post spacings to be supplied by installers 75 x 50mm timber recommended.

1m 1.5m 2m spacings as shown.

1. Construct court to base Tarmac level and mark out post holes as dimensioned on foundation plan, insuring that the diagonal dimensions are correct as this is key in the panels fitting on the last corner post.
2. Cut a 400mm square hole in the base Tarmac over post hole centres, this will help maintain holes centres when the post holes are being drilled.
4. Drill post holes to correct depth plus 100mm to allow for the post to sit on 100mm concrete.
5. Set first corner post with fast setting concrete insuring post is set to the right level (Top of lower lug 225mm from finished tarmac level)
6. Set up a string line from the top of the lower lug through the length of the court, using additional pegs where needed keeping the line tight at all times.
7. With the string line set at the top of the lug and on the front face of the post, space out second post with timber batten ensuring that the post is upright. Back-fill foundation with a semi-dry concrete mix.
8. Continue setting posts with the above method taking care that the line and level are correct. Using the timber battens the post centres will always stay constant avoiding any 8-25mm finger traps and ensuring that the edge of the panel and the inside of the posts does not exceed 50mm.
9. When all the posts are installed back-fill foundation post holes to the top of the base Tarmac level.
10. Lay 20mm thick open textured wearing course tarmac over ball court.

## **11. FIX PANELS TO POSTS AS PAGE 3.**

**ASSEMBLY DETAIL**  
**(Care must be taken under abnormal conditions)**

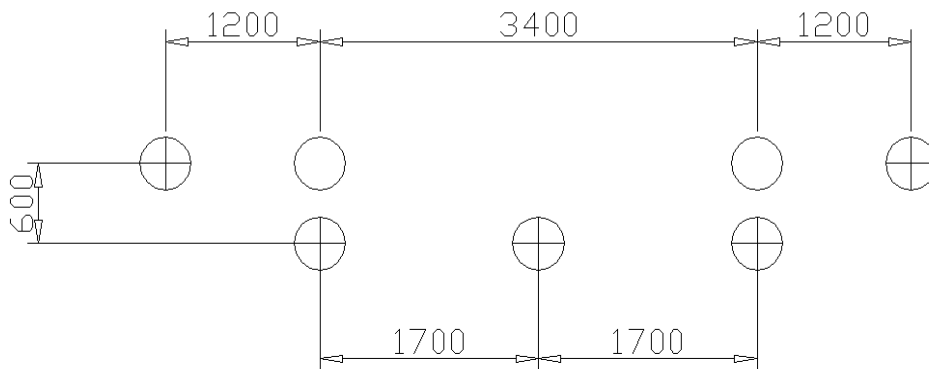
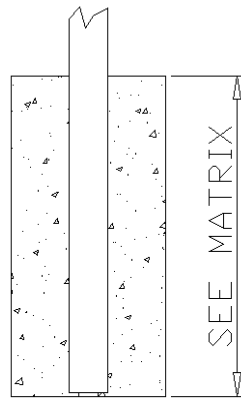


**FOUNDATION DETAIL**  
**(Care must be taken under abnormal conditions)**

APPROX 0.38 CUBIC METRES CEMENT REQUIRED

Ø400 x 500 DEEP ○

Ø400 x 400 DEEP ⊕

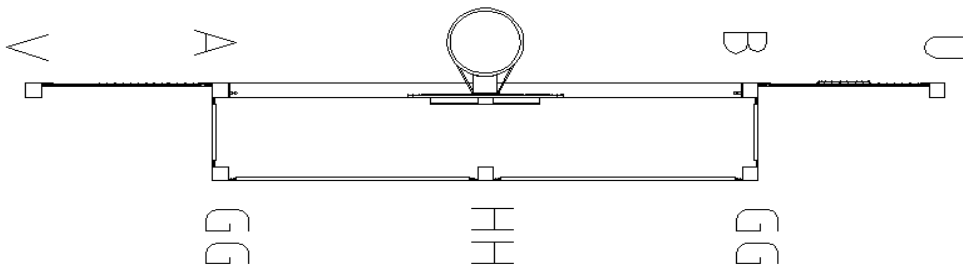




**POST PLAN**

**Note - use 3 digit code on baseplate of uprights as a guide e.g a 4200-969 will be marked "969"**

- A - L.H. Mini Goal Post - 4202-586 x 1 0ff
- B - R.H. Mini Goal Post - 4202-585 x 1 0ff
- HH - 1m Upright - 4200-964 x 1 0ff
- GG - 1m Back Goal Corner Upright - 4200-587 x 2 0ff
- U - 1m R.H. End Panel Upright - 4201-643 x 1 0ff
- V - 1m L.H. End Panel Upright - 4201-644 x 1 0ff



REF	DESCRIPTION	QTY	PART No
A	L.H Mini Goal Post	1	4202-586
B	R.H Mini Goal Post	1	4202-585
C	Tee Cross Support Frame	1	4200-973
D	Crossbar	1	4200-972
E	Basketball Mini Goal Support Frame	1	4202-583
F	Basketball Board	1	3756-055
G	Cricket Wicket Panel	1	3755-206
H	M10 x 35 Pentagon Button Head Screw	32	2176-127
J	Wicksteed Washer	110	2215-519
K	Neoprene Spacer	32	2900-066
L	M10 Permacone Nuts	42	2193-055
M	Mini Goal L.H Target Panel	1	3755-423
N	Mini Goal R.H Target Panel	1	3755-424
P	M10 x 40 Hex Head Screw	6	2185-032
Q	Basketball Ring	1	4200-432
R	Green Poepplemann Cup	6	2611-033 Cup
S	Green Poepplemann Cap	6	2611-033 Cap
T	M12 x 100 Hex Head Bolt	10	2185-081
U	1m R.H End Panel Upright	1	4201-643
V	1m L.H End Panel Upright	1	4201-644
W	M12 x 70 Pentagon Button Head Screw	7	2176-181

REF	DESCRIPTION	QTY	PART No
X	M12 Flat Washer	17	2215-509
Y	M12 Pentagon Safety Fasteners	17	2177-017
Z	M12 Nut Cover	10	2613-016
AA	M12 Plastic Plug	10	2611-030
BB	M16 x 180 Lg Hex Head Screw	4	2185-098
CC	M12 Spring washer	3	2212-002
DD	M16 Nyloc Nut	4	2192-010
EE	M16 Spring Washer	15	2212-001
FF	M16 Washer	15	2215-511
GG	1m Back Goal Corner Upright	2	4200-587
HH	1m Upright	1	4200-964
JJ	Backing Plate	2	3200-627
KK	M10 x 75 Pentagon Button Head Screw	4	2176-130
LL	M16 Nut Cover	8	2613-017
MM	Tee Cross Backing Plate	1	3200-618

This is NOT a Despatch List and only lists components that have been referred to in the Instructions or Post Plan.

Note:-All spare parts are available from Wicksteed Leisure on request.

For maintenance instructions see separate sheet.

COMPILED:	APPROVED :	REV	NEW					
PG		ECN						
	DATE:	SIG.	PG					
	2/9/16	DATE	2/9/16					

# DESPATCH LIST

Sheet 1 of 1

Product: Mini Goal & Side Panels c/w Wicket, Target & B'ball Date of Issue: 19/8/16

Code No: 6200-146 Issue: A

Item	Unit Qty	Description	Part No.	Checked
1	1	R.H Mini Goal Upright (White RAL 9016)	4202-585	
2	1	L.H Mini Goal Upright (White RAL 9016)	4202-586	
3	2	1m Back Goal Corner Upright (Yellow RAL 1007)	4202-587	
4	1	1m Upright (Yellow RAL 1007)	4200-964	
5	1	Crossbar (White RAL 9016)	4200-972	
6	1	Tee Cross Support Frame (White RAL 9016)	4200-973	
7	1	Basketball Ring (Orange RAL 2008)	4200-432	
8	1	Basketball Mini Goal Support Frame (Yellow RAL 1007)	4202-583	
9	1	1m R.H End Panel Upright (Yellow RAL 1007)	4201-643	
10	1	1m L.H End Panel Upright (Yellow RAL 1007)	4201-644	
11	2	Crossframe Panel 1.5m x 0.85m (Dark Blue RAL 5002)	4200-963	
12	2	0.4m x 1.0m Panel (Dark Blue RAL 5002)	4200-975	
13	2	1.5m x 1.0m Panel (Dark Blue RAL 5002)	4200-961	
14	2	1.0m x 1.0m Panel (Dark Blue RAL 5002)	4200-962	
15	1	Tee Cross Backing Plate (Yellow RAL 1007)	3200-618	
16	1	Fixings Pack		

Total No. of Items

Picked By: \_\_\_\_\_ Checked By: \_\_\_\_\_

COMPILED BY: PG	REV	NEW					
	ECN No.						
DATE: 19/8/16	DATE	19/08/2016					
	SIGN	PG					

# FIXINGS LIST

Sheet 1 of 2

Product: Mini Goal & Side Panels c/w Wicket, Target & B'ball Date of Issue: 19/8/16

Code No: 6200-146 Issue: A

Item	Unit Qty	Description	Part No.	Checked
1	32	M10 x 35 Pentagon Button Head Screw	2176-127	
2	42	M10 Permacone Nuts	2193-055	
3	32	Neoprene Spacer	2900-066	
4	110	Wicksteed Washer	2215-519	
5	10	M12 x 100 Lg High Tensile Hex Head Bolt	2185-081	
6	17	M12 Flat Washer	2215-509	
7	17	M12 Pentagon Safety Fasteners	2177-003	
8	10	M12 Nut Cover	2613-016	
9	30	M12 Plug	2611-017	
10	7	M12 x 70 Pentagon Button Head Screw	2176-181	
11	6	M10 x 40 Lg Hex Head Screw	2185-032	
12	6	Blue Poepplemann Cap	2611-032 Cap	
13	6	Blue Poepplemann Cup	2611-032 Cup	
14	3	M12 Spring Washer	2212-001	
15	4	M16 x 180 Lg Hex Head Screw	2185-098	
16	15	M16 Flat Washer	2215-511	
17	15	M16 Spring Washer	2212-001	
18	4	M16 Nyloc Nut	2192-010	
19	1	Basketball Backboard	3756-055	
20	4	M10/M12 Pentagon Key	2372-008	
21	1	Cricket Wicket Panel	3755-206	
22	2	Backing Plate	3200-627	
23	1	Loctite	1811-003	
24	4	M10 x 75 Pentagon Button Head Screw	2176-130	

Total No. of Items

Picked By: \_\_\_\_\_ Checked By: \_\_\_\_\_

COMPILED BY: PG	REV	NEW				
	ECN No.					
DATE: 19/8/16	DATE	19/08/2016				
	SIGN	PG				

# FIXINGS LIST

Sheet 2 of 2

Product: Mini Goal & Side Panels c/w Wicket, Target & B'ball

Date of Issue: 19/8/16

Code No: 6200-146

Issue: A

Item	Unit Qty	Description	Part No.	Checked
25	1	Target Panel L.H - Blue/Yellow	3755-423	
26	1	Target Panel R.H - Blue/Yellow	3755-424	
27	1	Touch Up Paint Pk - White RAL 9016, Dark Blue RAL 5002		
		Yellow RAL 1007		

Total No. of Items

Picked By: .....

Checked By: .....

COMPILED BY: PG	REV	NEW				
	ECN No.					
DATE: 19/8/16	DATE	19/08/2016				
	SIGN	PG				