

Mini Goal

MODULAR GOAL SYSTEM

PRODUCT CODE	6200-145
SIZE:	3500mm x 1300mm x 1095mm
WEIGHT OF HEAVIEST PART	50Kg

SPECIFICATION

Uprights: Manufactured from 100 x 100 RHS to BS4848 part 2.
 Crossbars: Manufactured from 100 x 100 RHS to BS4848 part 2.
 Panels: Square Grid Section constructed with 25 x 3mm plain load bars and 6mm round bars welded at 50mm centres surrounded by 25 x 25 RHS Frame.
 Welds: Copper free wire conforming to 2901 AIB for mild steel.
 Finish: Low lead polyester powder paint to BS EN 71 part 3.

INSTALLATION INSTRUCTIONS

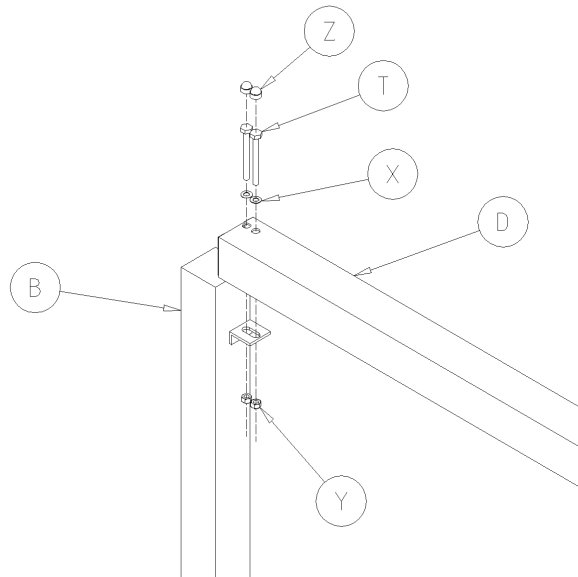
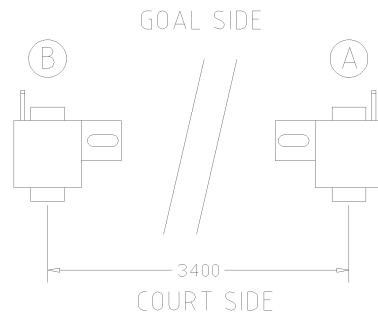
1. Read installation instructions through before commencing erection of unit.
2. Do NOT tighten fastenings until the unit is completely assembled
3. Excavate foundations as shown on page 7.
4. Use the M12 Plugs (AA) supplied to fill in any air holes in the uprights or Tee Cross Support Frame.

Note: All protruding screw threads to be peened over to remove sharp edges.
 Lifting aid will be required when installing this piece of equipment.

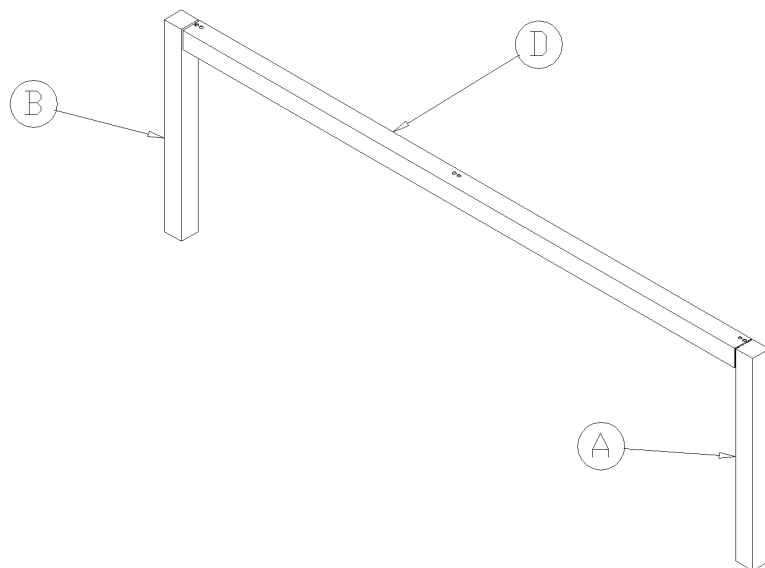
Note:-Ensure all installation aids are removed before first use.

GOAL FRAME FIXING DETAIL

1. Erect Goal Posts (A & B) ensuring correct orientation as shown in plan view .
2. Position Mini Goal Crossbar (D) onto Angle Brackets on the Goal Posts.
3. Fix in place using M12 x 100 Lg Hex Head Bolt (T), M12 Flat Washer (X) and an M12 Safety Fastener (Y). Use supplied adhesive to fix the M12 Nut Covers to the Bolt Heads.



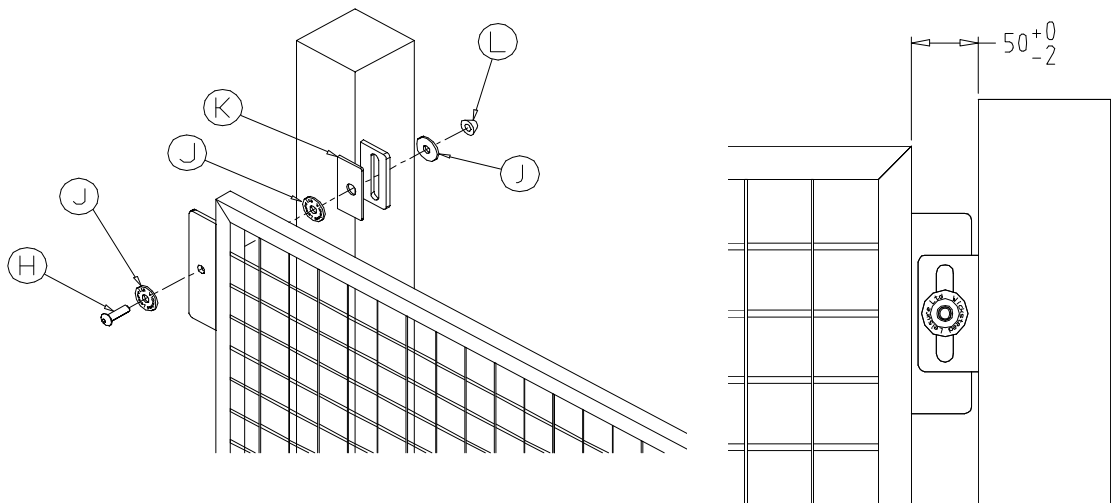
MINI GOAL ASSEMBLY



PANEL FIXING DETAIL

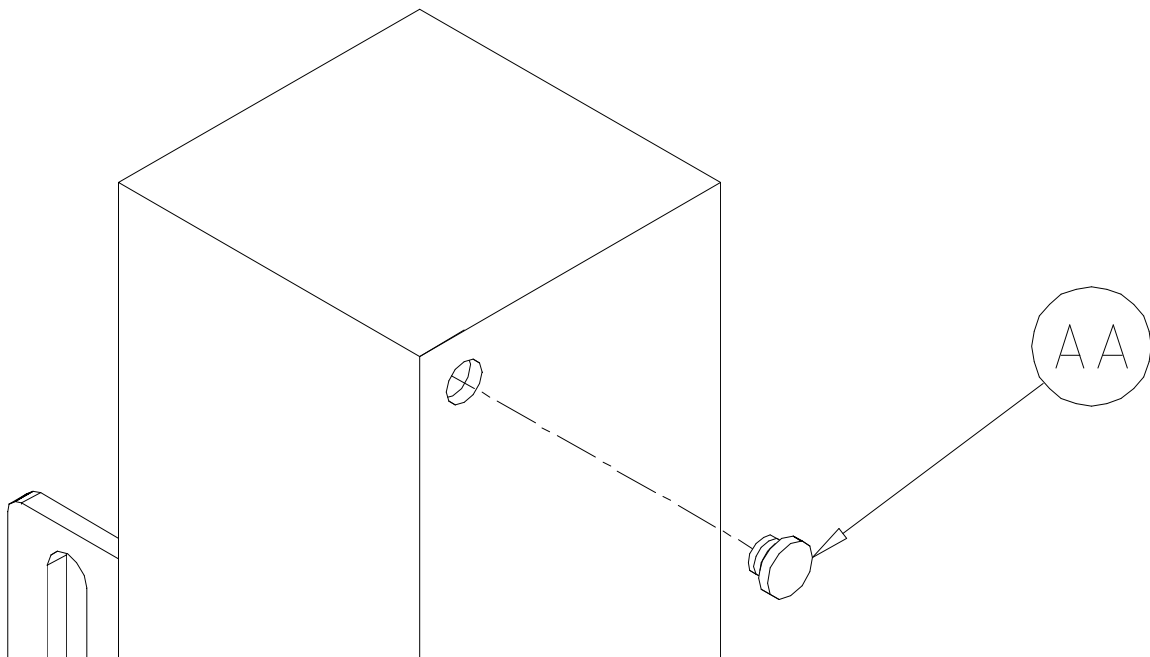
**POSITION ALL PANELS IN EACH SECTION BEFORE SHEARING PERMACONE NUTS.
SEE POST PLAN FOR UPRIGHT POSITIONS**

1. Erect upright ensuring correct orientation as shown. Place Panels so the Panel is flush with the Court Side face of the Upright.
2. Attach the panels to the upright lugs using M10 x 30 Pentagon Button Head Screws (H), Wicksteed Washer (J – 2 off), Neoprene Spacer (K) & Permacone Shear Nut (L).
3. Assuming that there is a level playing surface, ensure that the fixings are positioned centrally in the slotted fixing lug so that the Neoprene Spacer (K) is not visible. View shown (rightmost image) is from the outside of the court looking inwards showing the back of the panel.
4. **To avoid any 8-25mm finger traps ensure that the distance between the edge of the panel and inside of the uprights does not exceed 50mm.**
5. Hammer or deform ends of screw threads once the permacone nuts have been snapped off.

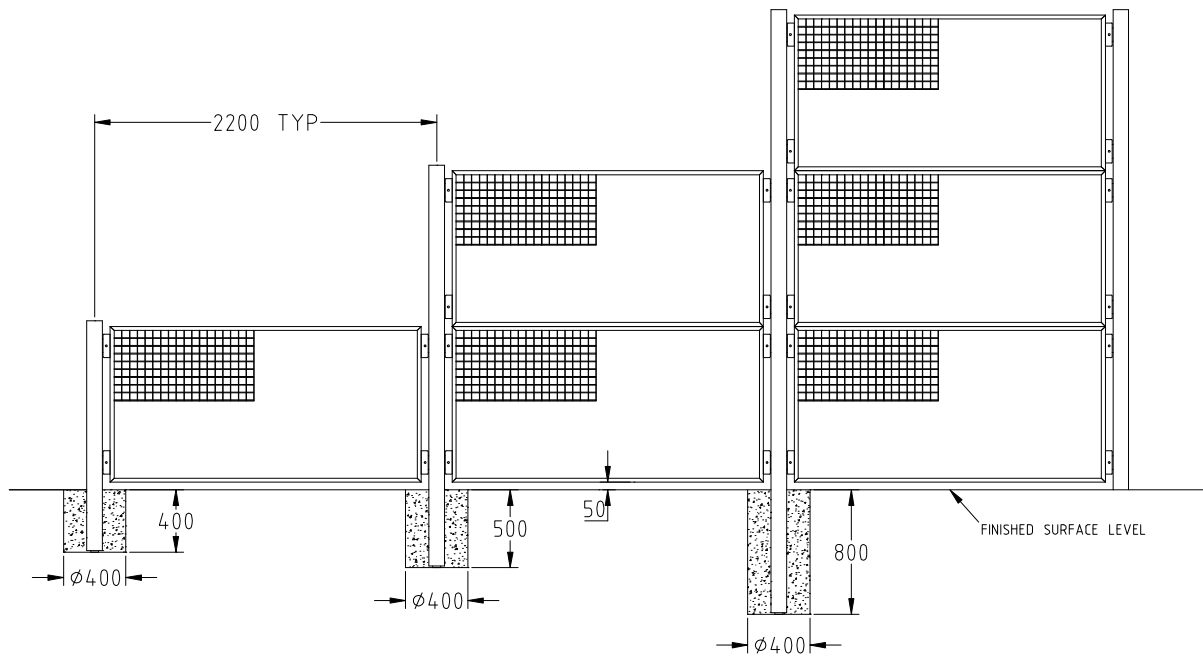


PLUG FIXING DETAIL

Fill holes in ALL of the uprights using M12 Plastic Plugs (AA) as shown to stop any water getting in. As standard there will be 2 in each upright and 2 per Tee Cross Support Frame.



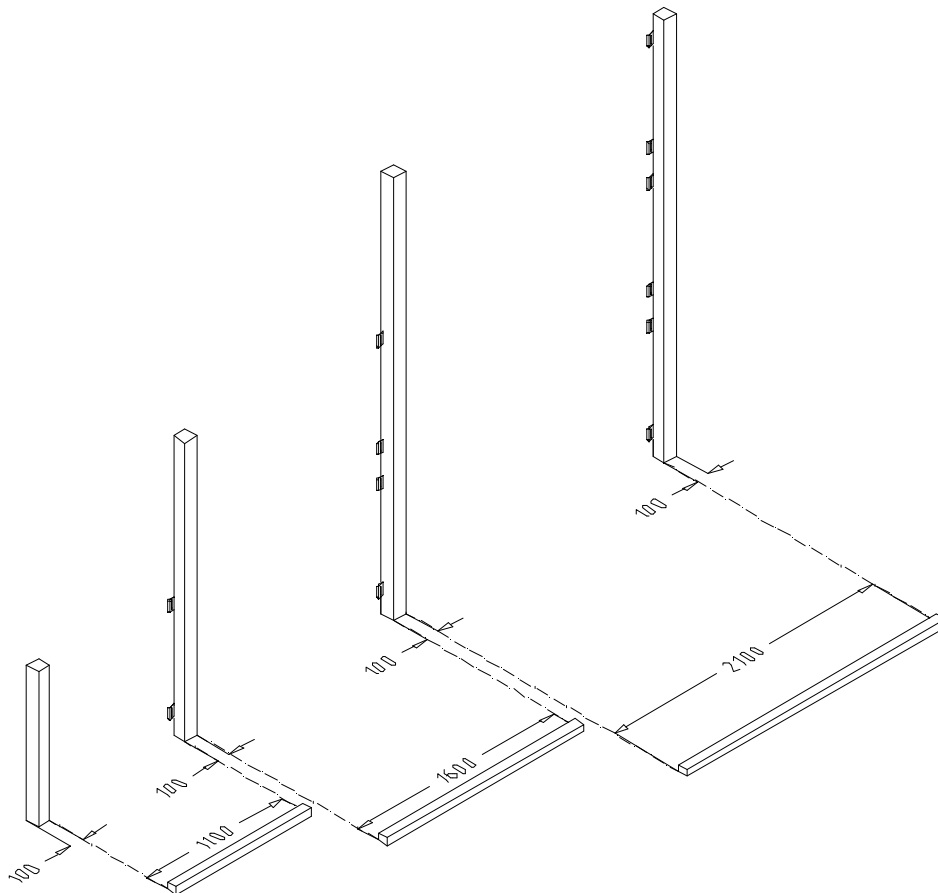
TYPICAL UPRIGHT FOUNDATION DETAIL



Typical Upright Foundation Detail –

- Dig Foundations to depths and dimensions specified in the Foundation section of this document.
- Wherever possible, maintain a 50mm gap between the Panel and Finished Surface Level.

POST SPACING METHOD



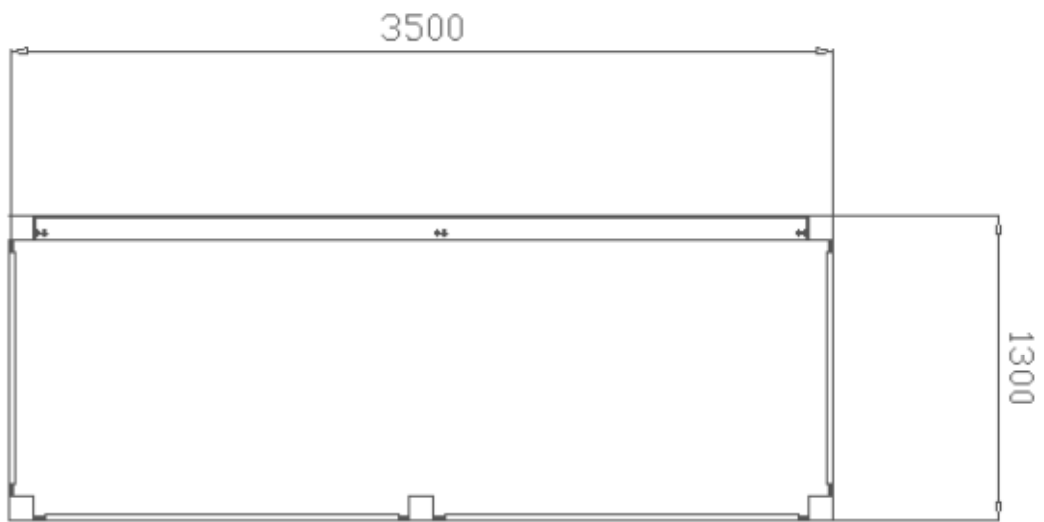
Battens for post spacings to be supplied by installers 75 x 50mm timber recommended.

1m 1.5m 2m spacings as shown.

1. Construct court to base Tarmac level and mark out post holes as dimensioned on foundation plan, insuring that the diagonal dimensions are correct as this is key in the panels fitting on the last corner post.
2. Cut a 400mm square hole in the base Tarmac over post hole centres, this will help maintain holes centres when the post holes are being drilled.
4. Drill post holes to correct depth plus 100mm to allow for the post to sit on 100mm concrete.
5. Set first corner post with fast setting concrete insuring post is set to the right level (Top of lower lug 225mm from finished tarmac level)
6. Set up a string line from the top of the lower lug through the length of the court, using additional pegs where needed keeping the line tight at all times.
7. With the string line set at the top of the lug and on the front face of the post, space out second post with timber batten ensuring that the post is upright. Back-fill foundation with a semi-dry concrete mix.
8. Continue setting posts with the above method taking care that the line and level are correct. Using the timber battens the post centres will always stay constant avoiding any 8-25mm finger traps and ensuring that the edge of the panel and the inside of the posts does not exceed 50mm.
9. When all the posts are installed back-fill foundation post holes to the top of the base Tarmac level.
10. Lay 20mm thick open textured wearing course tarmac over ball court.

11. FIX PANELS TO POSTS AS PAGE 3.

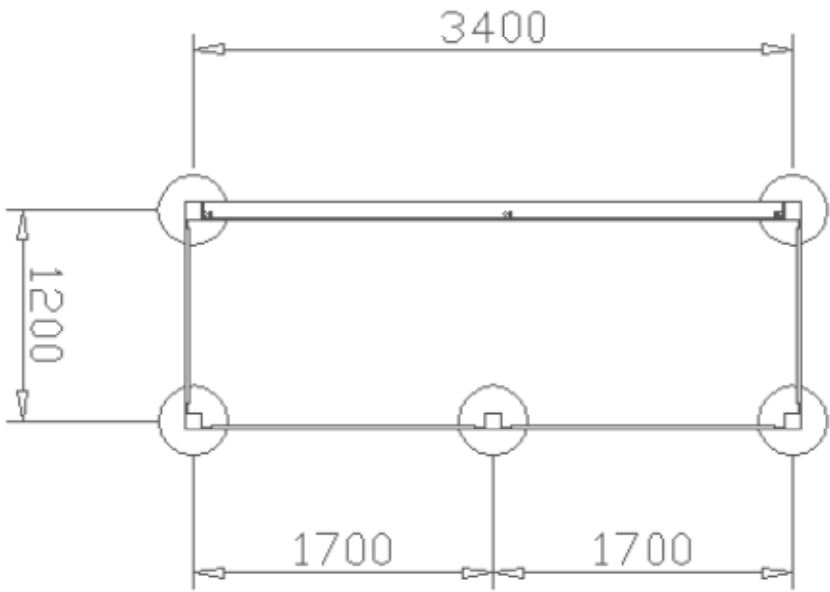
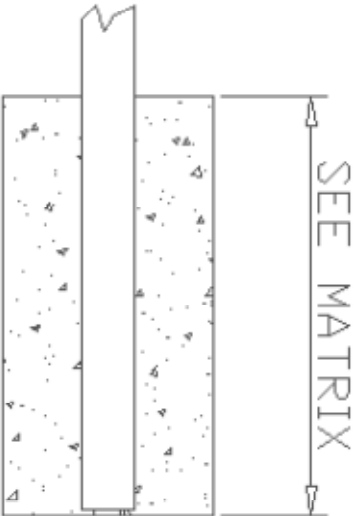
ASSEMBLY DETAIL
(Care must be taken under abnormal conditions)



FOUNDATION DETAIL
(Care must be taken under abnormal conditions)

APPROX 0.25 CUBIC METRES CEMENT REQUIRED

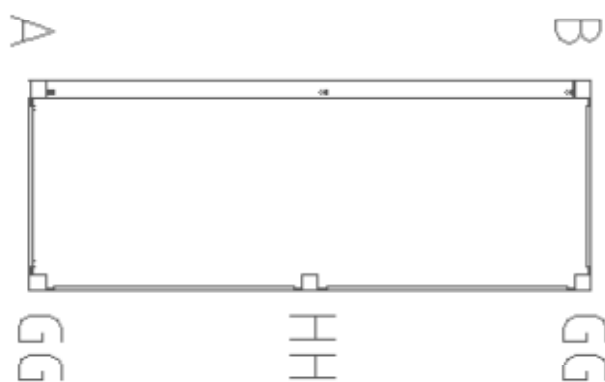
Ø400 x 400 DEEP 



POST PLAN

Note - use 3 digit code on baseplate of uprights as a guide e.g a 4200-969 will be marked "969"

A - L.H. Mini Goal Post - 4202-599 x 1 Off
B - R.H. Mini Goal Post - 4202-598 x 1 Off
HH - 1m Upright - 4200-964 x 1 Off
GG - 1m Back Goal Corner Upright - 4200-587 x 2 Off



REF	DESCRIPTION	QTY	PART No
A	L.H Mini Goal Post	1	4202-599
B	R.H Mini Goal Post	1	4202-598
D	Crossbar	1	4200-972
H	M10 x 35 Pentagon Button Head Screw	16	2176-127
J	Wicksteed Washer	48	2215-519
K	Neoprene Spacer	16	2900-066
L	M10 Permacone Nuts	16	2193-055
T	M12 x 100 Hex Head Bolt	10	2185-081
X	M12 Flat Washer	4	2215-509
Y	M12 Pentagon Safety Fasteners	4	2177-017
Z	M12 Nut Cover	4	2613-016
AA	M12 Plastic Plug	10	2611-030
GG	1m Back Goal Corner Upright	2	4200-587
HH	1m Upright	1	4200-964

This is NOT a Despatch List and only lists components that have been referred to in the Instructions or Post Plan.

Note:-All spare parts are available from Wicksteed Leisure on request.

For maintenance instructions see separate sheet.

COMPILED:	APPROVED :	REV	NEW	1				
PG		ECN		minor				
	DATE:	SIG.	PG	PG				
	28/10/16	DATE	28/10/16	25/8/17				

DESPATCH LIST

Sheet 1 of 1

Product: Mini Modular Goal System Date of Issue: 14/7/16

Code No: 6200-145 Issue: B

Item	Unit Qty	Description	Part No.	Checked
1	1	R.H 1m Mini Goal Upright (White RAL 9016)	4202-598	
2	1	L.H 1m Mini Goal Upright (White RAL 9016)	4202-599	
3	2	1m Back Goal Corner Upright (White RAL 9016)	4202-587	
4	1	1m Upright (White RAL 9016)	4200-964	
5	1	Crossbar (White RAL 9016)	4200-972	
6	2	1.0m x 1.0m Panel (Dark Blue RAL 5002)	4200-962	
7	2	1.5m x 1.0m Panel (Dark Blue RAL 5002)	4200-961	
8	1	Fixings Pack		

Total No. of Items

Picked By: _____ Checked By: _____

COMPILED BY: PG	REV	NEW	1				
	ECN No.		minor				
DATE: 14/7/16	DATE	14/07/2016	25/08/2017				
	SIGN	PG	PG				

FIXINGS LIST

Sheet 1 of 1

Product: Mini Modular Goal System Date of Issue: 14/7/16

Code No: 6200-145 Issue: A

Item	Unit Qty	Description	Part No.	Checked
1	16	M10 x 35 Pentagon Button Head Screw	2176-127	
2	16	M10 Permacone Nuts	2193-055	
3	16	Neoprene Spacer	2900-066	
4	48	Wicksteed Washer	2215-519	
5	4	M12 x 100 Lg High Tensile Hex Head Bolt	2185-081	
6	4	M12 Flat Washer	2215-509	
7	4	M12 Pentagon Safety Fasteners	2177-003	
8	4	M12 Nut Cover	2613-016	
9	14	M12 Plug	2611-017	
10	4	18mm Plugs	2611-040	
11	4	M10/M12 Pentagon Key	2372-008	
12	1	Loctite	1811-003	
13	1	Touch Up Paint Pk - White RAL 9016, Dark Blue RAL 5002		

Total No. of Items

Picked By: _____ Checked By: _____

COMPILED	REV	NEW				
BY: PG	ECN No.					
DATE: 14/7/16	DATE	14/07/2016				
	SIGN	PG				