

<h1>Wicked Wheels</h1>	
<h2>Low Jump Box with Grind rails</h2>	
PROD CODE:	6190-037
SIZE:	2400 x 1200 mm
DECK HEIGHT:	300 mm
GRIND RAIL HEIGHT:	325 mm
APPROX. FREE SPACE REQUIRED	6400 x 4400 mm
AGE RANGE:	10 to Adult

### **SPECIFICATION**

- Support Structure** – Open or closed framework made from 50 x 50 x 3.2 mm square hollow section and 50 x 25 x 3.2 mm rectangular hollow section galvanised steel.
- Grind Rails** – Made from 50 mm diameter circular hollow section galvanised steel tube.
- Skating Surface** – 4 mm mild steel plate coated with two layers of black anti-slip paint; base layer Vinadac High Build Mio, top layer Vinadac High Build Sheen Finish.
- Fixings** – All railings and structural supports use M10 cup square hex bolts, M10 x 30 O/D washers and M10 shear nuts. All fixings are bright zinc plated for weather protection. Once the shear nuts are sheared off, the excess bolt length is ground down and the exposed end touched up with zinc rich primer.
- Ground Fixing** – The ground is drilled at fixing points and M12 studding (threaded bar) is screwed down into resin anchors. M12 nuts are welded to the unit and studding to fix the unit in position.
- Finish** – Galvanised steel and black anti-slip paint on skating surface as detailed above. On sections of framework welded together on-site the areas where the galvanised finish is broken are touched up with zinc rich primer.

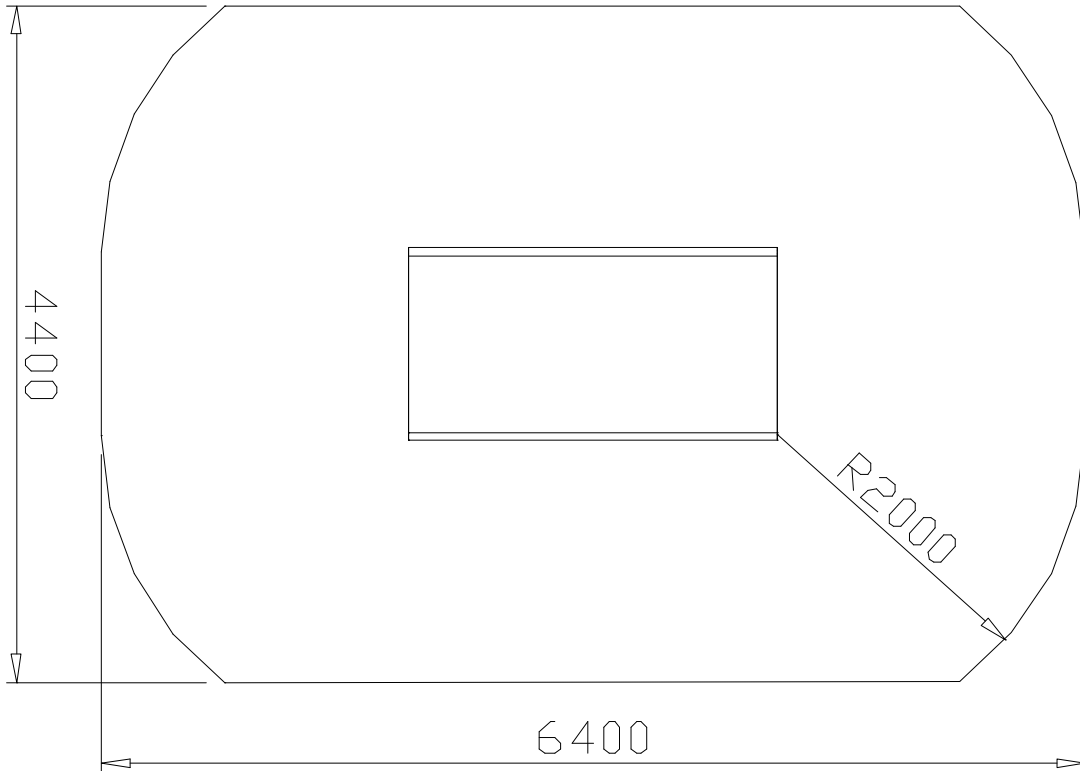
### **INSTALLATION GUIDELINES**

- 1 Read installation instructions through before commencing erection of unit.
- 2 Do NOT tighten fastenings until the unit is completely assembled.
- 3 Set unit in position.
- 4 Level unit on tarmac as required.
- 5 Weld sections together where appropriate.
- 6 Drill the ground at fixing points and resin anchor unit down with M12 studding (threaded bar). Weld M12 nuts to unit and studding to fix in position.
- 7 Touch up welded areas with zinc rich primer, and where necessary apply undercoat and top coat.

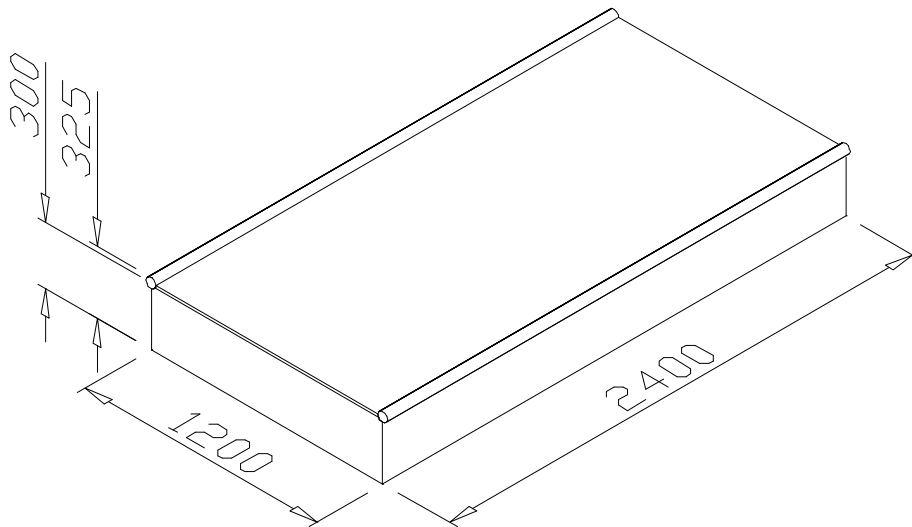
Note:- All protruding screw threads to be peened over to remove sharp edges.

Note:- Ensure all installation aids are removed before first use.


**FREE SPACE DETAIL**



**OVERALL DIMENSIONS**



For maintenance instructions see separate sheet.

	COMPILED:	APPROVED :	REV	0				
	S Bailey		ECN	-				
	DATE:	DATE:	SIG.	SB				
	20/06/05		DATE.	20/06/05				