

<h1>Wicked Wheels</h1>	
<h2>Fun Box with Grind Rail</h2>	
PROD CODE:	6190-035
SIZE:	3603 x 2500 mm
DECK HEIGHT:	392 mm
GRIND RAIL HEIGHT:	592 mm
APPROX. FREE SPACE REQUIRED	9603 x 6500 mm
AGE RANGE:	10 to Adult

SPECIFICATION

Support Structure	– Open or closed framework made from 50 x 50 x 3.2 mm square hollow section and 50 x 25 x 3.2 mm rectangular hollow section galvanised steel.
Grind Rail	– Grind rail made from 50 x 50 x 3.2 mm square hollow section galvanised steel.
Skating Surface	– 4 mm mild steel plate coated with two layers of black anti-slip paint; base layer Vinadac High Build Mio, top layer Vinadac High Build Sheen Finish.
Fixings	– All railings and structural supports use M10 cup square hex bolts, M10 x 30 O/D washers and M10 shear nuts. All fixings are bright zinc plated for weather protection. Once the shear nuts are sheared off, the excess bolt length is ground down and the exposed end touched up with zinc rich primer.
Ground Fixing	– The ground is drilled at fixing points and M12 studding (threaded bar) is screwed down into resin anchors. M12 nuts are welded to the unit and studding to fix the unit in position.
Finish	– Galvanised steel and black anti-slip paint on skating surface as detailed above. On sections of framework welded together on-site the areas where the galvanised finish is broken are touched up with zinc rich primer.

INSTALLATION GUIDELINES

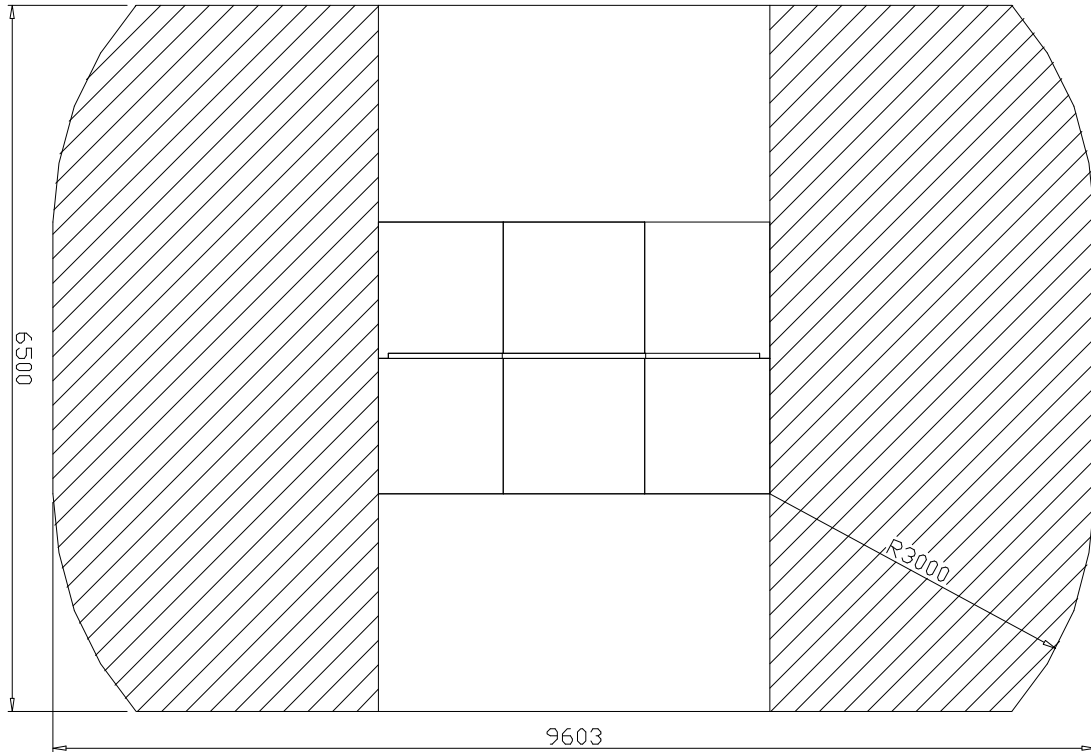
- 1 Read installation instructions through before commencing erection of unit.
- 2 Do NOT tighten fastenings until the unit is completely assembled.
- 3 Set two halves of unit in position and stitch weld both halves together.
- 4 Ensure that front edge of ramp is or will be flush/sub-flush with tarmac level.
- 5 Drill the ground at fixing points and resin anchor unit down with M12 studding (threaded bar). Weld M12 nuts to unit and studding to fix in position.
- 6 Touch up welded areas with zinc rich primer, and where necessary apply undercoat and top coat.

Note:- All protruding screw threads to be peened over to remove sharp edges.

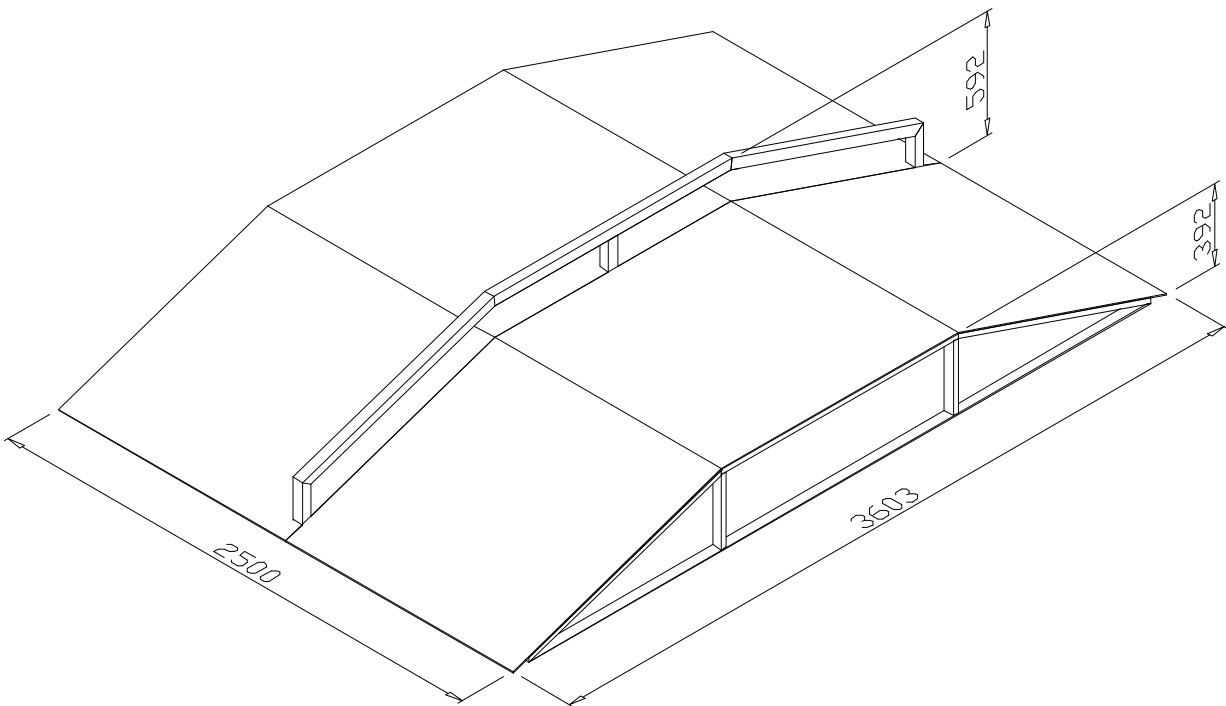
Note:- Ensure all installation aids are removed before first use.

FREE SPACE DETAIL


Shaded area indicates areas within the minimum space that can be overlapped with other skateboarding equipment.



OVERALL DIMENSIONS



For maintenance instructions see separate sheet.

	COMPILED:	APPROVED :	REV	0				
	S Bailey		ECN	-				
	DATE:	DATE:	SIG.	SB				
	20/06/05		DATE.	20/06/05				