

<h1>Wicked Wheels</h1>	
<h2>Straight Grind Rail</h2>	
PROD CODE:	6190-010
SIZE:	3100 mm Long
HEIGHT:	200 mm
APPROX. FREE SPACE REQUIRED	7100 x 4050 mm
AGE RANGE:	10 to Adult

SPECIFICATION

Grind Rail – Made from 50 mm diameter circular hollow section galvanised steel tube.

INSTALLATION GUIDELINES

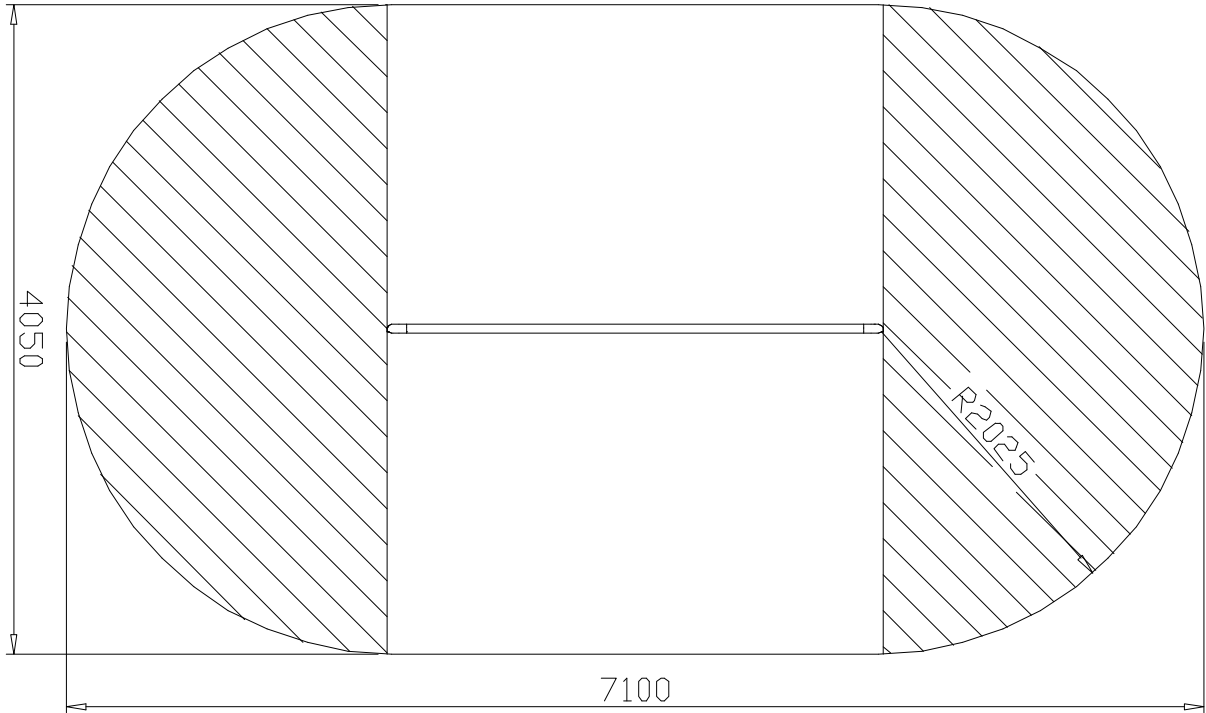
- 1 Read installation instructions through before commencing erection of unit.
- 2 Excavate small square holes in tarmac/concrete 300 mm deep foundations to suit ground fixing positions.
- 3 Set grind rails into foundations with top edge of rail 200 mm above finished surface.
- 4 Backfill foundations with rapidset concrete.
- 5 Finish surface by either: leaving concrete 15 mm below tarmac level and reinstating with remedial tarmac
OR float off level with the surface, paint with bitumen pcmt.
- 6 Allow 24 hours drying time before use.

Note:- All protruding screw threads to be peened over to remove sharp edges.

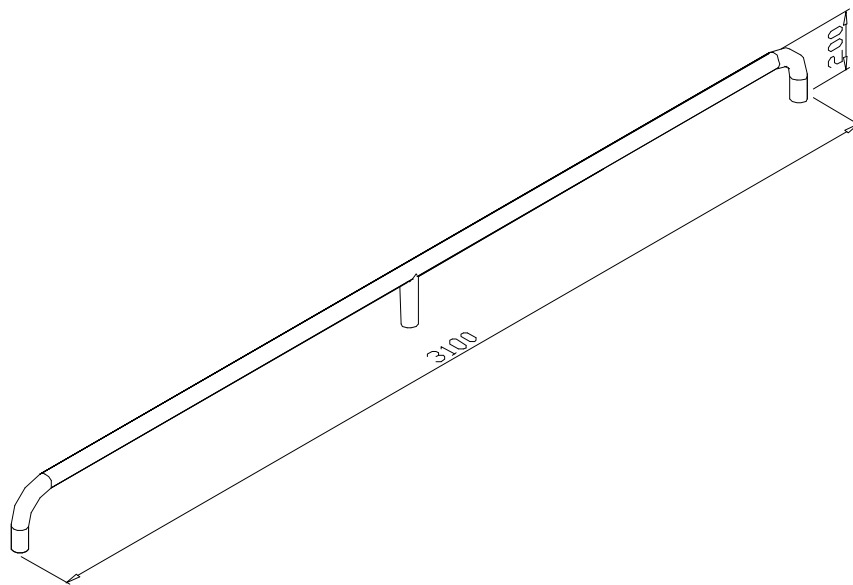
Note:- Ensure all installation aids are removed before first use.

FREE SPACE DETAIL


Shaded area indicates areas within the minimum space that can be overlapped with other skateboarding equipment.



OVERALL DIMENSIONS



For maintenance instructions see separate sheet.

	COMPILED:	APPROVED :	REV	0				
	S Bailey		ECN	-				
	DATE:	DATE:	SIG.	SB				
	20/06/05		DATE.	20/06/05				