

Ball Games	
FREESTANDING BASKETBALL	
PRODUCT CODE:	6070-105
SIZE:	3950x1200x1200mm
WEIGHT OF HEAVIEST PART	80Kg

DELIVERY LIST		
Part No.	Description	Qty
4201-084	Upright Assembly	1
3726-062	Basketball Board	1
4200-432	Basketball Ring	1
-	Fixings Pack	1
-	Paint Pack	1

SPECIFICATION

Uprights: Fabricated from 100 Nominal Bore medium gauge Steel tube to BS 1387
 Welds: Copper free wire conforming to 2901 AIB for mild steel.

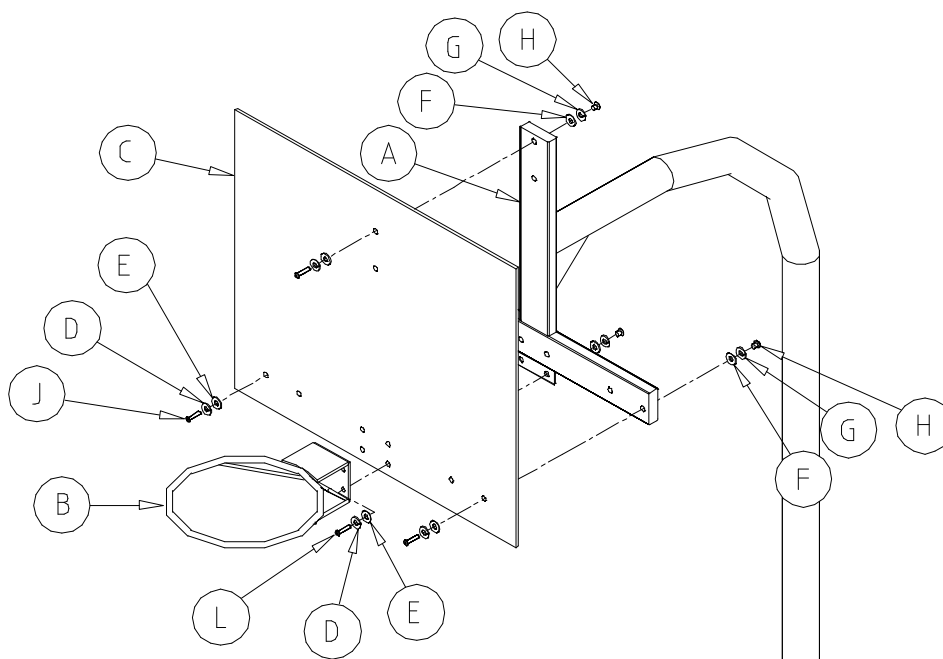
INSTALLATION INSTRUCTIONS

1. Read installation instructions through before commencing erection of unit.
2. Do NOT tighten fastenings until the unit is completely assembled
3. Excavate foundations as shown on page 3.
4. The Upright is to be painted on site using the paint supplied with the fixings.

Note: All protruding screw threads to be peened over to remove sharp edges.
 Lifting aid will be required when installing this piece of equipment.

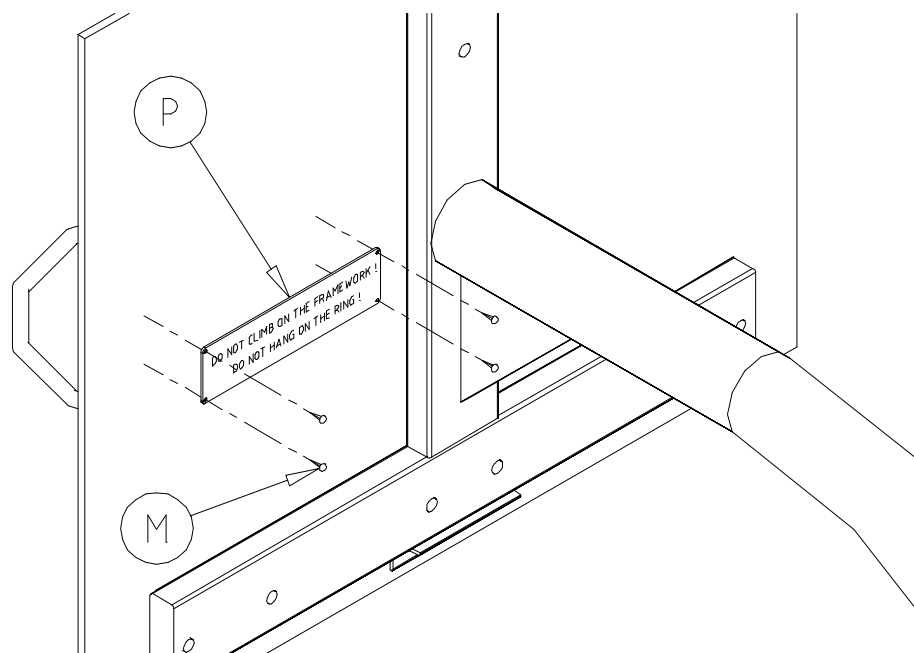
Note:-Ensure all installation aids are removed before first use.

BASKETBALL BOARD FIXING DETAIL



1. Position The Basketball board as shown and fix in position using M12 x 60 Pentagon Button Head Screw (J), M12 Flat Washer (E), M12 Spring Washer (D) M16 Flat Washer (F) M16 Spring Washer (G) & M12 Safety Fastener (H)
2. Attach the Basketball Hoop by using M12 x 70 Pentagon Button Head Screw (K) in top two holes and M12 x 25 Pentagon Button Head Screw (L) in bottom two holes along with M12 Flat Washer (E), M12 Spring Washer (D) M16 Flat Washer (F) M16 Spring Washer (G) & M12 Safety Fastener (H)

ATTACHING NO CLIMBING AND PAS 30 PLAQUE



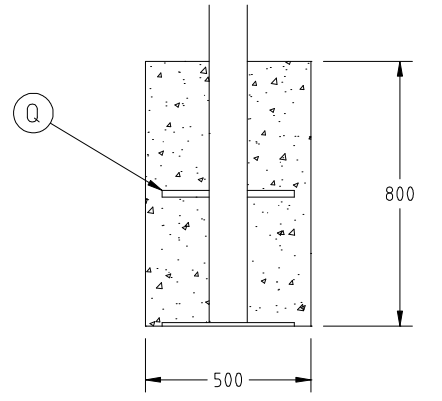
1. Fit 'No Climbing' plaque (GG) and PAS 30 Plaque (FF) to Basketball Board (M) using Self Tapping Screws (EE) .
2. Ensure plaque is on the outside of the court as shown.



FOUNDATION DETAIL

(Care must be taken under abnormal conditions)

1. Dig a hole 500mm square and 800mm deep.
2. Position Upright in the hole ensuring that the top of the Basketball Ring will be 3.05m above finished surface level.
3. Insert Spragging Iron (Q).
4. Backfill with concrete.



REF	DESCRIPTION	PART No
A	Upright Assembly	4201-084
B	Basketball Ring	4200-432
C	Basketball Board	3726-062
D	M12 Spring Washer	2212-004
E	M12 Flat Washer	2215-509
F	M16 Washer	2212-001
G	M16 Spring Washer	2215-511
H	M12 Pentagon Safety Fastener	2177-003
J	M12 x 60 Pentagon Button Head Screw	2176-180
K	M12 x 70 Pentagon Button Head Screw	2176-181
L	M12 x 25 Pentagon Button Head Screw	2176-176
M	Self Tapping Screws	2112-041
N	PAS 30 Plaque	2900-044
P	No Climbing Plaque	2900-048
Q	Spragging Iron	3031-011

Note:-All spare parts are available from Wicksteed Leisure on request.

For maintenance instructions see separate sheet.

COMPILED: TW	APPROVED :	REV	NEW	1			
		ECN	1519	Minor			
DATE: 02/01/07	DATE:	SIG.	TW	TW			
		DATE.	02/01/07	01/05/07			



