

| QTY | PART No | DESCRIPTION |
|-----|----------|----------------------|
| 1 | 6070-043 | HOT SHOT TARGET WALL |

| BALL GAMES | |
|----------------------|---------------|
| Hot Shot Target Wall | |
| PROD. CODE | 6070-043 |
| SIZE | 1.275m x 2.4m |
| AGE RANGE | 5 to 16 years |
| F/ FALL HEIGHT | |
| HEAVIEST PART | |
| TOTAL WEIGHT | |
| | |

SPECIFICATION

19mm thick laminated HD polyethylene 100% recyclable, non-toxic and complies with EN 71

76.1 Circular Hollow Section steel to BS 1387

Caps made from aluminium LM6M

Non-standard fixings are anti-vandal and corrosion resistant

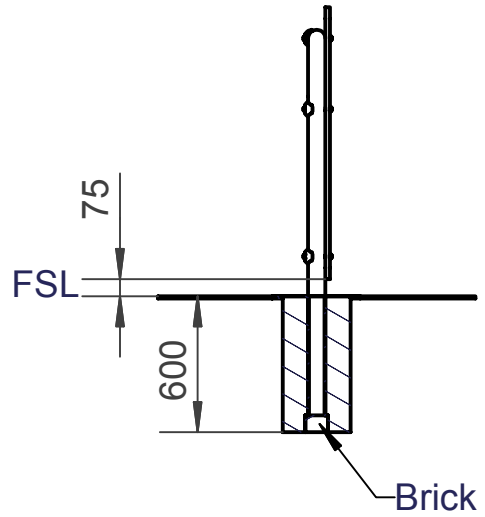
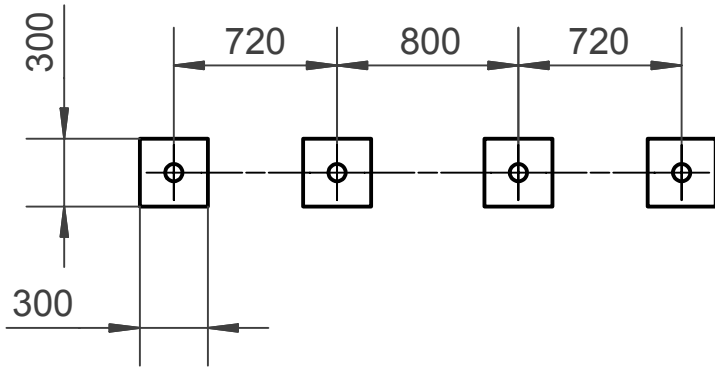
INSTALLATION INSTRUCTIONS

- 1 Read instructions thoroughly before commencing installation of unit
- 2 Excavate foundations as shown in the foundation plan
- 3 Position supports in excavated holes, ensuring they are plumb, square and at the correct height
- 4 Backfill with 0.048 cubic m of concrete (4 parts gravel/2 parts sand/1 part concrete) in each hole
- 5 Allow concrete to set for 48 hours

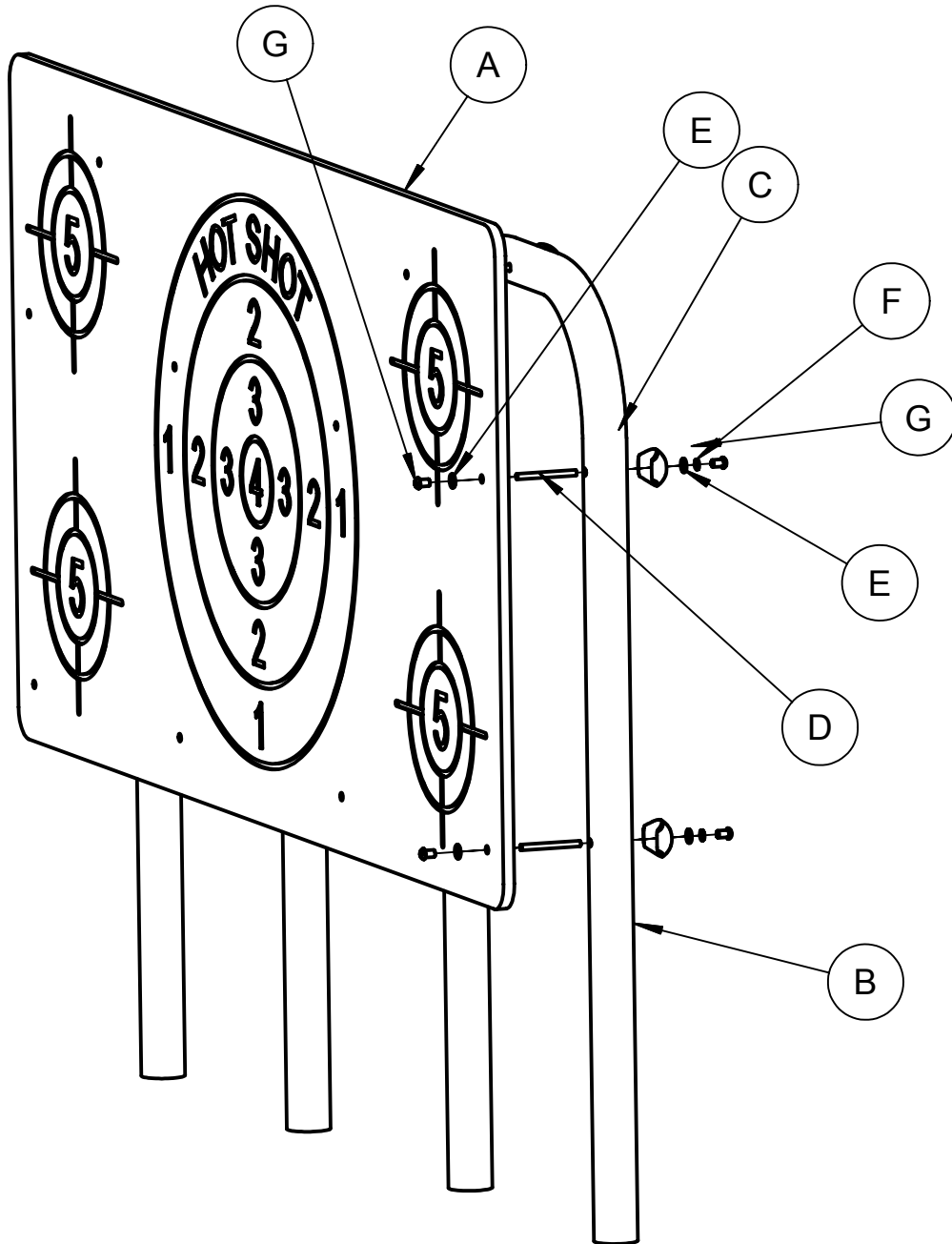
Note

Note ENSURE ALL INSTALLATION AIDS ARE REMOVED BEFORE FIRST USE

Foundation Plan



Fixing Details for Maintenance



| ITEM | QTY | PART NUMBER | DESCRIPTION |
|------|-----|-------------|-----------------------|
| A | 1 | 3755-114 | HOT SHOT TARGET WALL |
| B | 2 | 3000-477 | HOT SHOT SUPPORT |
| C | 10 | 3711-028 | Aluminium Clamp |
| D | 10 | 3033-019 | M10 STUDDING 110mm LG |
| E | 20 | 2215-509 | M12 Plain Washer |
| F | 10 | 2212-204 | M12 Spring Washer |
| G | 20 | 2177-002 | M10 Safety Fastener |

| | | | | | | | | | |
|-------------------|-------|----------|--|--|--|--|--|--|--|
| COMPILED AB | REV | 0 | | | | | | | |
| | ECN | 1504 | | | | | | | |
| DATE: 13/01/06 | SIG. | AB | | | | | | | |
| | DATE: | 17/01/06 | | | | | | | |



DESPATCH LIST

Product: Hot Shot Target Wall

Code No. 6070-043

Date of Issue: 17/01/06

Order No.

Issue: A

| ITEM | QTY | PART NUMBER | DESCRIPTION |
|------|-----|-------------|----------------------|
| 1* | 1 | 3755-114 | HOT SHOT TARGET WALL |
| 2* | 2 | 3000-477 | HOT SHOT SUPPORT |

ITEMS MARKED * FITTED PRIOR TO DESPATCH

Total No. of Items

Picked By:

Checked By:

| | | | | | | | |
|-----------------|---------|----------|--|--|--|--|--|
| COMPILED BY: AB | REV | 0 | | | | | |
| | ECN No. | 1504 | | | | | |
| DATE: 13/01/06 | DATE | 17/01/06 | | | | | |
| | SIGN | AB | | | | | |

FIXING LIST

Product: Hot Shot Target Wall

Code No. 6070-043

Date of Issue: 17/01/06

Order No.

Issue: A

| ITEM | QTY | PART NUMBER | DESCRIPTION |
|------|-----|-------------|-----------------------|
| 1 * | 10 | 2212-204 | M12 Spring Washer |
| 2 * | 20 | 2215-509 | M12 Plain Washer |
| 3 * | 20 | 2177-002 | M10 Safety Fastener |
| 4 * | 10 | 3711-028 | Aluminium Clamp |
| 5 * | 10 | 3033-019 | M10 STUDDING 110mm LG |
| 6 | 2 | 2372-008 | M10/M12 Pent Key |

ITEMS MARKED * FITTED PRIOR TO DESPATCH

Total No. of Items

Picked By:

Checked By:

| | | | | | | | |
|--------------------|----------------|----------|--|--|--|--|--|
| COMPILED BY: AB | REV ECN No. | 0 | | | | | |
| | | 1504 | | | | | |
| DATE: 13/01/06 | DATE SIGN | 17/01/06 | | | | | |
| | | AB | | | | | |