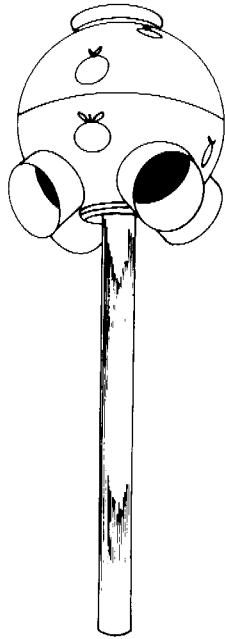


# FUNBALL GAME



FUNBALL GAME	
SURFACE FIX.	BELOW GROUND FIX.
PROD. CODE:	
6070 - 034 "APPLE" 6070 - 434	6070 - 035 "BEE" 6070 - 435
SIZE: 1.0M dia. x 2.5M ht.	1.0M dia. x 2.5M ht.
NET WEIGHT:	170 kg.

## SPECIFICATION

Ball game material shall be Lloyds approved polyester resin reinforced with chopped strand matting.

Ball game support column shall be manufactured from CHS tube and protected with a powder paint finish (within the meaning of the Toy and Safety Regulations 1367 and the Pencil and Graphics Regulations).

Fasteners shall be manufactured to BS419 and coated to resist corrosion. Other steel components shall comply with BS 970 Pt. 1.

Fasteners shall be vandal resistant where applicable.

## INSTALLATION INSTRUCTIONS

1. Read instructions thoroughly before commencing erection of unit.
2. Excavate foundations as shown in ground fixing details.
3. Attach ball game to support column (B) using 3 off M10 x 40mm lg. countersunk head screws (C) as shown in Fig. 1.
4. Insert spragging irons (D) into bottom holes of support column (B).
5. Lift ball game assembly into foundations and block.
6. Check unit is plumb and square.
7. Backfill foundations with concrete. Concrete to be 4 parts gravel, 2 parts sand, 1 part cement. Amount of concrete required = 0.5 cubic metres.

8. Position tiles onto concrete bed as shown on plan and bevel concrete up to edge of tiles.
9. Do not allow use for 96 hours minimum.

## For Surface Fixed Unit

1. Assemble Funball game as per previous instructions (but without digging foundations).
2. Mark through the holes in the base plate when the unit is in the desired position.
3. Drill 3 off holes 12mm dia. x 70mm minimum depth into ground and fix expansion bolts into ground.
4. Secure the unit to the surface.

## MAINTENANCE SCHEDULE

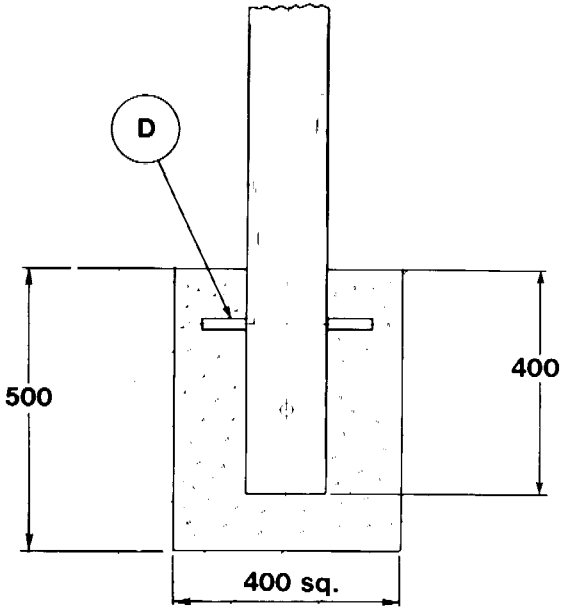
To be carried out every three months or less.

1. Check fastenings are secure.
2. Check for signs of wear or damage and replace as necessary.

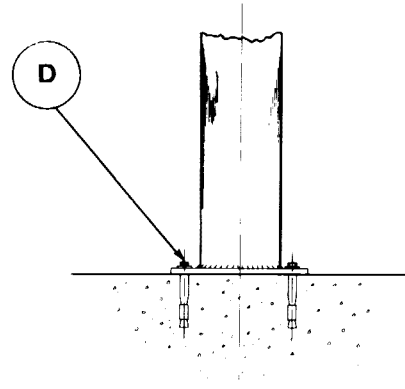


**WICKSTEED LEISURE LTD.,**  
**Digby Street, Kettering, Northants. NN16 8YJ**  
**Tel: 0536 517028 Telex: 34395**  
**Fax: 0536 410633**

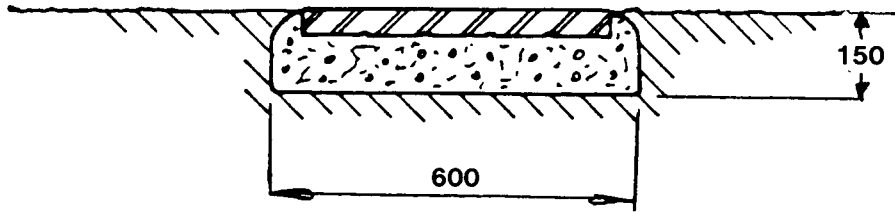
# GROUND FIXING OF SUPPORT COLUMN



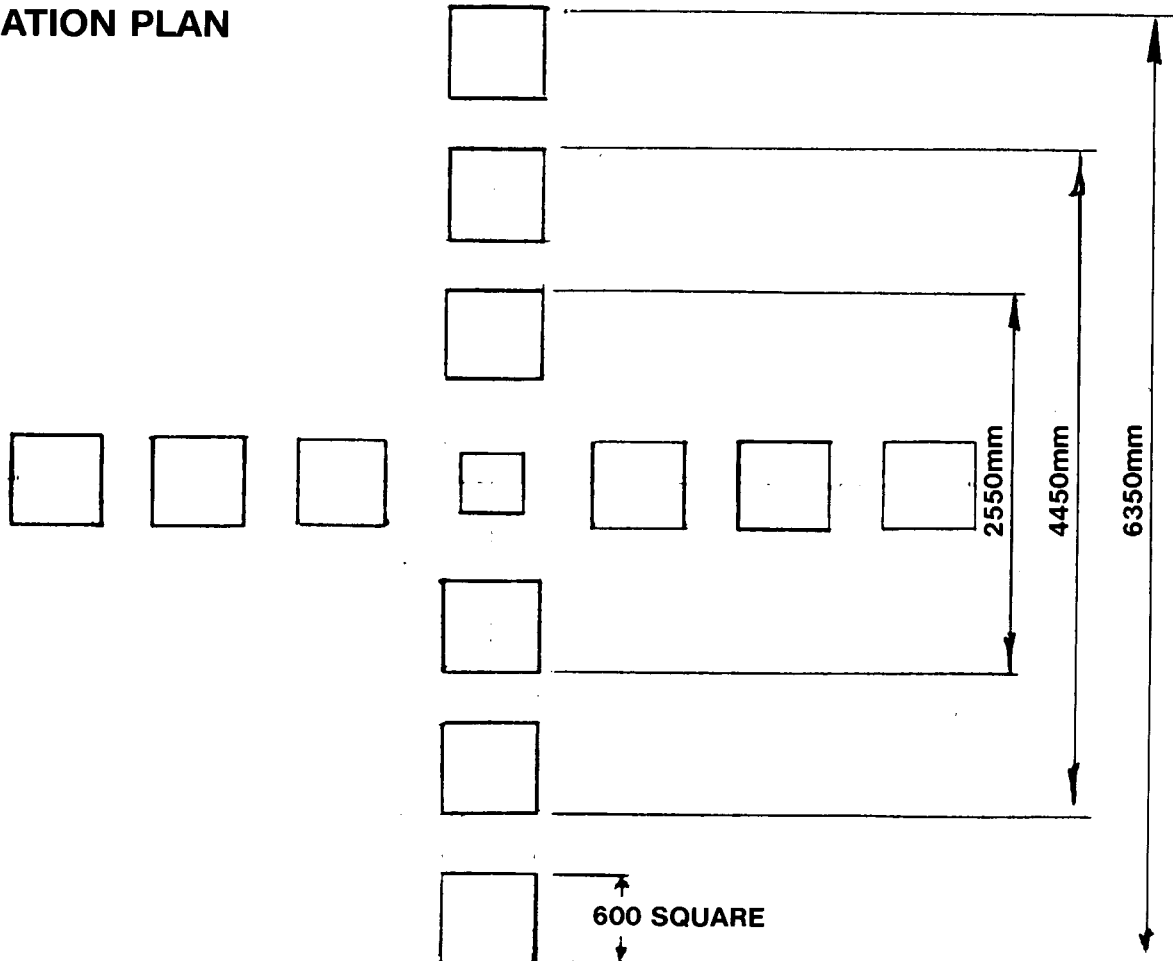
# SURFACE FIXING



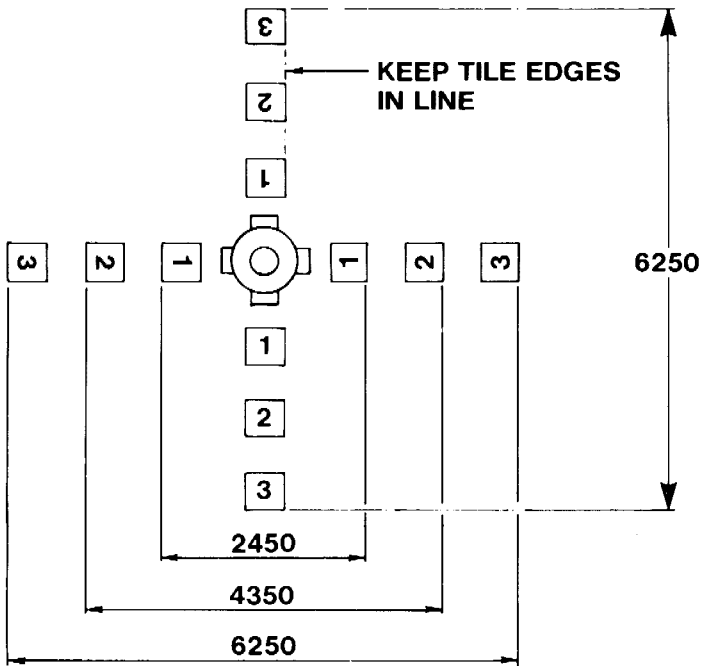
# GROUND FIXING OF TILE



# FOUNDATION PLAN

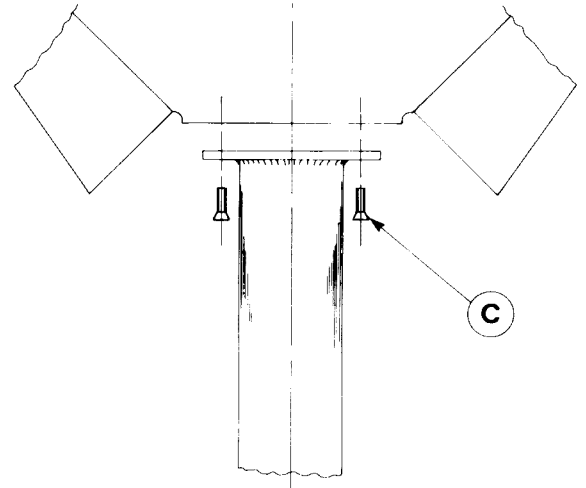


# PLAN LAYOUT



**FIG. 1**

Detail showing fixing of Funball to support column



## PARTS LIST 6070-434 SURFACE FIXED

Ref.	Qty.	Description	Part No.
A	1	Funball Assembly	5201-003
B	1	Surface Fix Support Column	4041-077
C	3	M10 x 40mm lg. Pentagon <i>Button</i> head screws	2176-133
D	3	Expansion Bolt M8 x 115L	2341-041
E	1	Pentagon Key	2372-008
F	4	No. 1 Safety Tile	6130-052
G	4	No. 2 Safety Tile	6130-053
H	4	No. 3 Safety Tile	6130-054

## PARTS LIST 6070-034 GROUND FIXED

Ref.	Qty.	Description	Part No.
A	1	Funball Assembly	5201-003
B	1	Ground Fix Support Column	4041-078
C	3	M10 x 40mm lg. Pentagon <i>Button</i> head screws	2176-133
D	2	Spragging Iron	3030-009
E	1	Pentagon Key	2372-008
F	4	No. 1 Safety Tile	6130-052
G	4	No. 2 Safety Tile	6130-053
H	4	No. 3 Safety Tile	6130-054

	COMPILED BY:	APPROVED BY:	ISSUE:	B	C	D	E	F
	G. Shatford	VS	ECN:	232	246	278		748
	DATE:	DATE:	SIG:	GS	GS	GS	M.C.	N.L.G.
	28.4.88	4.5.88	DATE:	4.5.88	10.6.88	8/11/88	1/4/90	27/8/92

DWG. No BALLGAME 1	
ISSUE No. A	
TOOLING	
No	DESCRIPTION



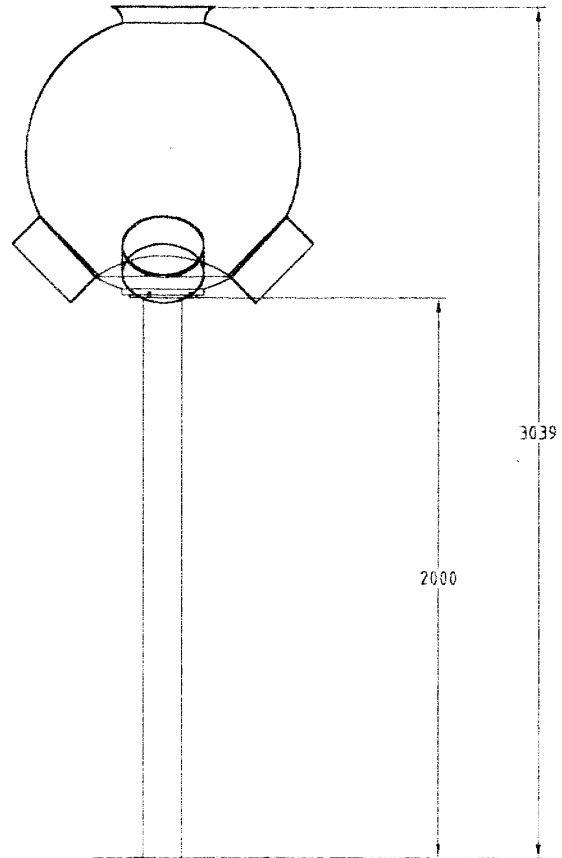
THIRD ANGLE PROJECTION

DO NOT SCALE - IF IN DOUBT ASK

ALL DIMENSIONS IN MILLIMETRES

A3

TOLERANCES:  
 MACHINING: 0.50mm (0.020")  
 FABRICATION/SHEET METAL WORK: 1.0mm (0.040") ±  
 ANGULAR: 1.0DEG.  
 UNLESS OTHERWISE STATED



REV	BY	DATE	SIG
A			

© WICKSTEED LEISURE LTD.  
 THIS DOCUMENT AND THE COPYRIGHT THEREIN ARE THE PROPERTY OF WICKSTEED LEISURE LTD. AND MAY NOT BE USED, COPIED OR DISCLOSED TO ANY THIRD PARTY WITHOUT THE WRITTEN PERMISSION OF WICKSTEED LEISURE LTD.



WICKSTEED LEISURE LTD.  
 DIGBY STREET, KETTERING  
 NORTHANTS NN16 8YJ  
 TEL: (01536) 517028  
 FAX: (01536) 410633

MATL CODE	TITLE	SCALE
MATL SPEC	FUNBALL GAME	1:20
MATL SIZE	INSTALLATION DETAIL	ISSUE No. A
PATTERN No	DRAWN BY	DATE
	ADC	27/08/96
	DATE	DWG. No
	02/07/97	BALLGAME 1
	CHECKED	
	DATE	

DWG No BALL GAME	
ISSUE No. A	
TOOLING	
No	DESCRIPTION



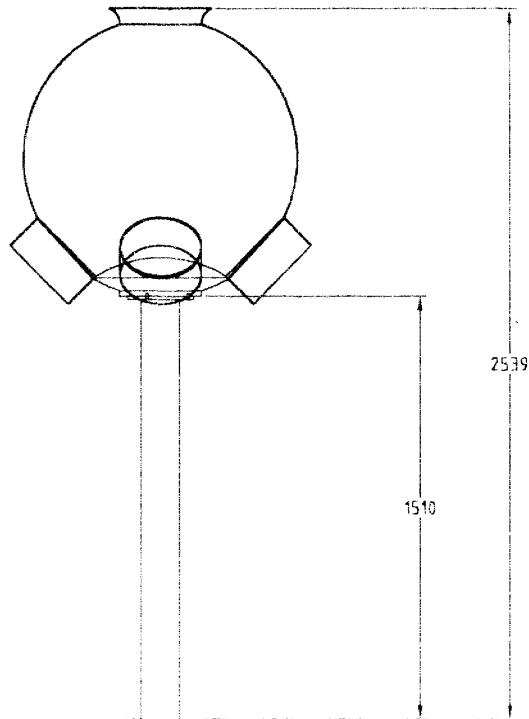
THIRD ANGLE PROJECTION

DO NOT SCALE - IF IN DOUBT ASK

ALL DIMENSIONS IN MILLIMETRES

A3

TOLERANCES  
 MACHINING: 0.50mm (0.020")  
 FABRICATION/SHEET METALWORK: 1.0mm (0.040") ±  
 ANGULAR: 1.0DEG  
 UNLESS OTHERWISE STATED



REV	BY	DATE	SIG
A			

© WICKSTEED LEISURE LTD.  
 THIS DOCUMENT AND THE COPYRIGHT THEREIN ARE THE PROPERTY OF WICKSTEED LEISURE LTD. AND MAY NOT BE USED, COPIED OR DISCLOSED TO ANY THIRD PARTY WITHOUT THE WRITTEN PERMISSION OF WICKSTEED LEISURE LTD.



WICKSTEED LEISURE LTD.  
 DIGBY STREET, KETTERING  
 NORTHANTS NN16 8YJ  
 TEL: (01536) 517028  
 FAX: (01536) 410633

MATERIAL CODE	TITLE		LOW FUNBALL GAME
MATERIAL SPEC	INSTALLATION DETAIL		
MATERIAL SIZE	DRAWN BY	ADC	CHECKED
PATTERN No	DATE	21/08/96	DATE

SCALE	1:20
ISSUE No.	A
DATE	21/08/96
DWG No.	BALL GAME



