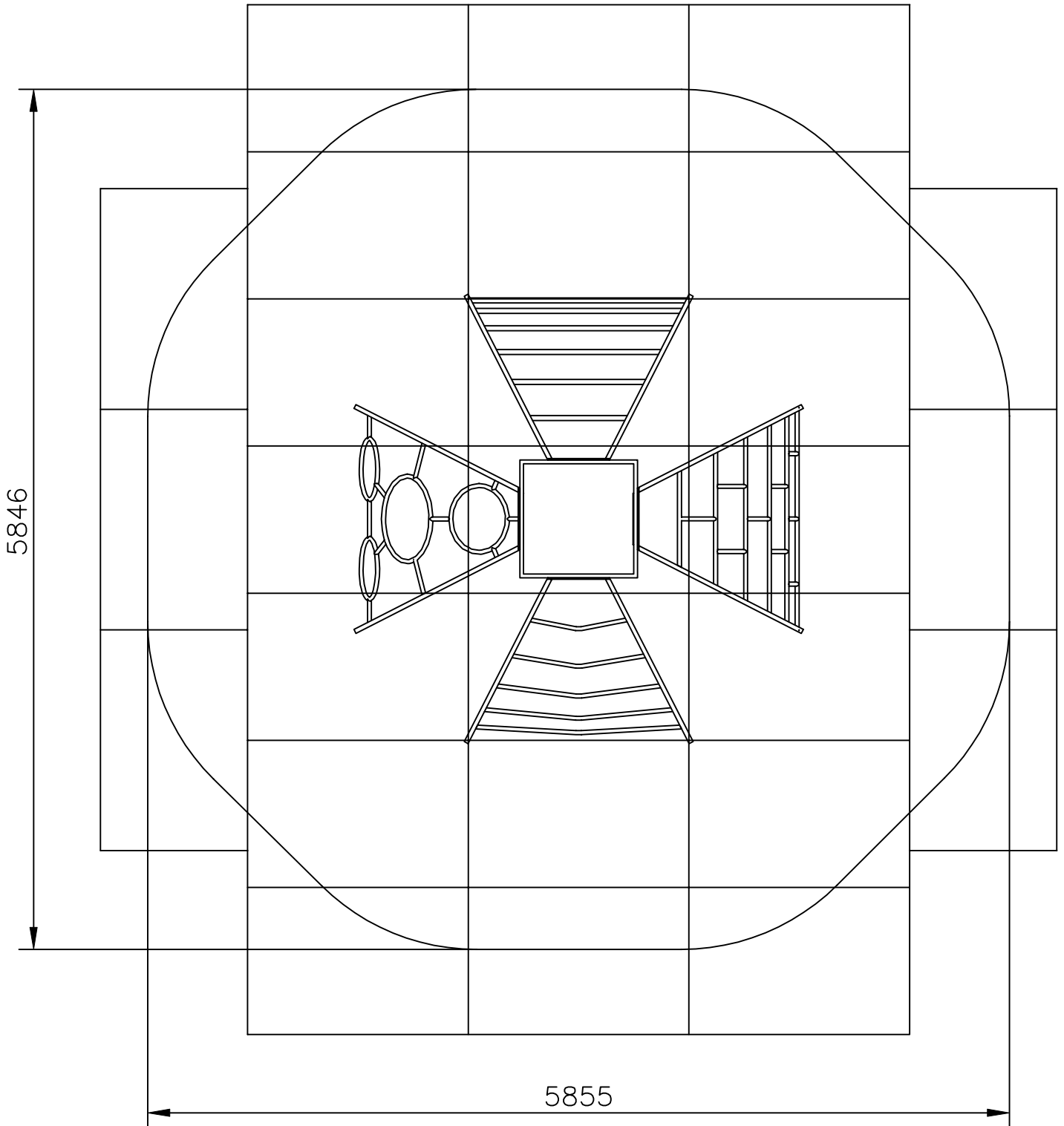
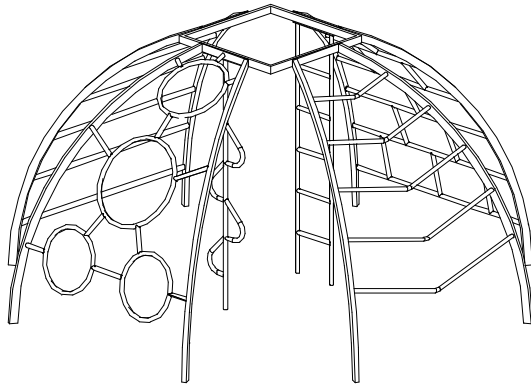


DOME CLIMBER - SNOWDON 6030-044
29.0 SQ. METRES 70mm WETPOUR
19.5 LINEAR METRES WETPOUR EDGING
27 GRASS MATS
MAX FFH = 1700mm





AGILITY	
SNOWDON SUMMIT	
PROD CODE:	6030-044
SIZE:	2983mm x 2983mm x 1693mm
AGE RANGE:	5-12 YEARS
FREE FALL HEIGHT:	1693 mm
WEIGHT OF HEAVIEST PART	31 kg
OVERALL WEIGHT OF UNIT	154 kg

DELIVERY LIST – GROUND FIXED		
Part No.	Description	Qty
4200-364	Square Frame	1
4200-360	Abyss Assembly	1
4200-358	Traverse Assembly	1
4200-359	Crevasse Assembly	1
4200-357	North Face Assembly	1
4200-368	Ladder	1
4200-367	Climber	1
	Fixing Pack	1

DELIVERY LIST – BARK FIXED		
Part No.	Description	Qty
5071-003	Below Ground Fixing	11
	+ Ground Fixed Items & Fixings	

SPECIFICATION

Solid steel components made from steel to BS 9070 Part 1 (1983).
 Nominal Bore Tube (medium) to BS 1387.
 Non-standard fastenings are plated for weather protection and designed to deter vandals.

Welds are from copper free wire diameter 1mm to BS EN 440 (1995).
 Metal parts coated with low lead polyester paint to BS EN 71 part 3 (1995).
 Mild steel chain links to BS 970 part 1 (1983)

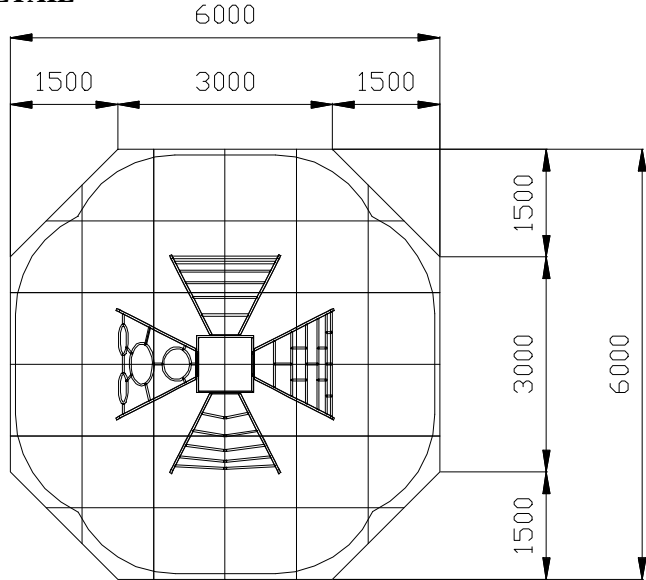
INSTALLATION INSTRUCTIONS

- | | |
|---|---|
| <ol style="list-style-type: none"> 1 Read the installation instructions thoroughly before commencing with the erection of the unit. 2 Excavate foundations in accordance with the details shown in the foundation plan. | <ol style="list-style-type: none"> 3 Place climbing segments in prepared foundations and fix to top frame using M10 fixings provided. 4 Ensuring unit is plumb and square. Backfill foundations with 0.37 cubic metres of concrete. Allow 48 hours drying time. |
|---|---|

Note: M8 bolts to be torqued to 18Nm (13lbf.)
 M10 bolts to be torqued to 34Nm (25lbf)
 M12 bolts to be torqued to 55Nm (40lbf)
 All protruding screw threads to be peened over to remove sharp edges.
 Lifting aid will be required when installing this piece of equipment.
 Ensure all installation aids are removed before use.



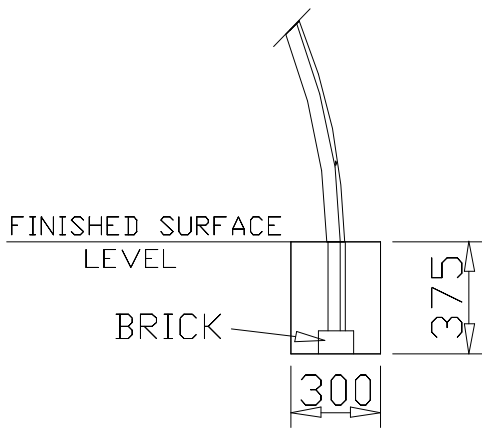
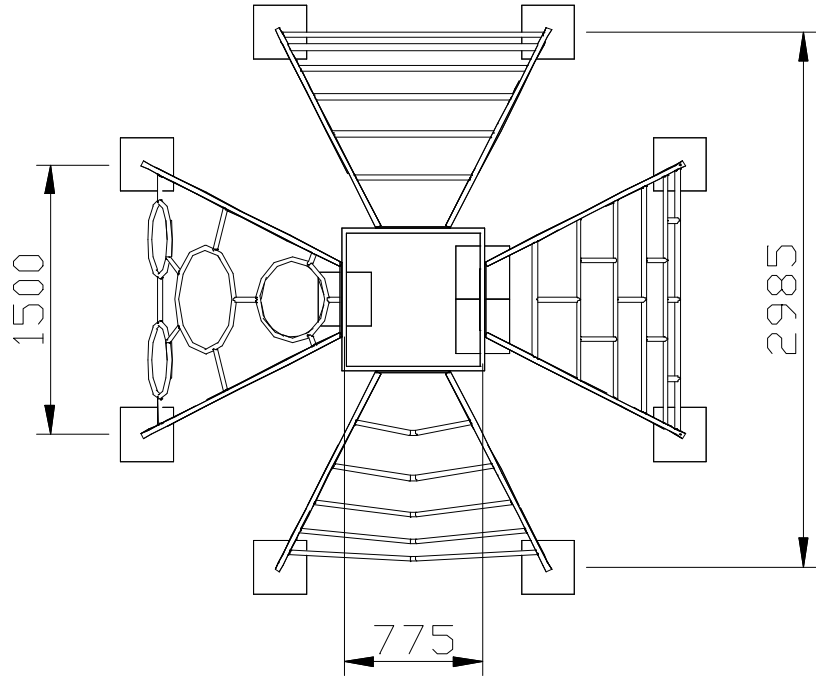
SURFACING & FALLING SPACE DETAIL



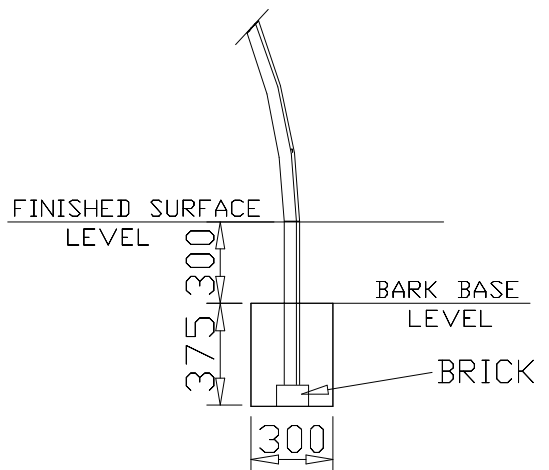
FOUNDATION DETAIL

(Care must be taken under abnormal conditions)

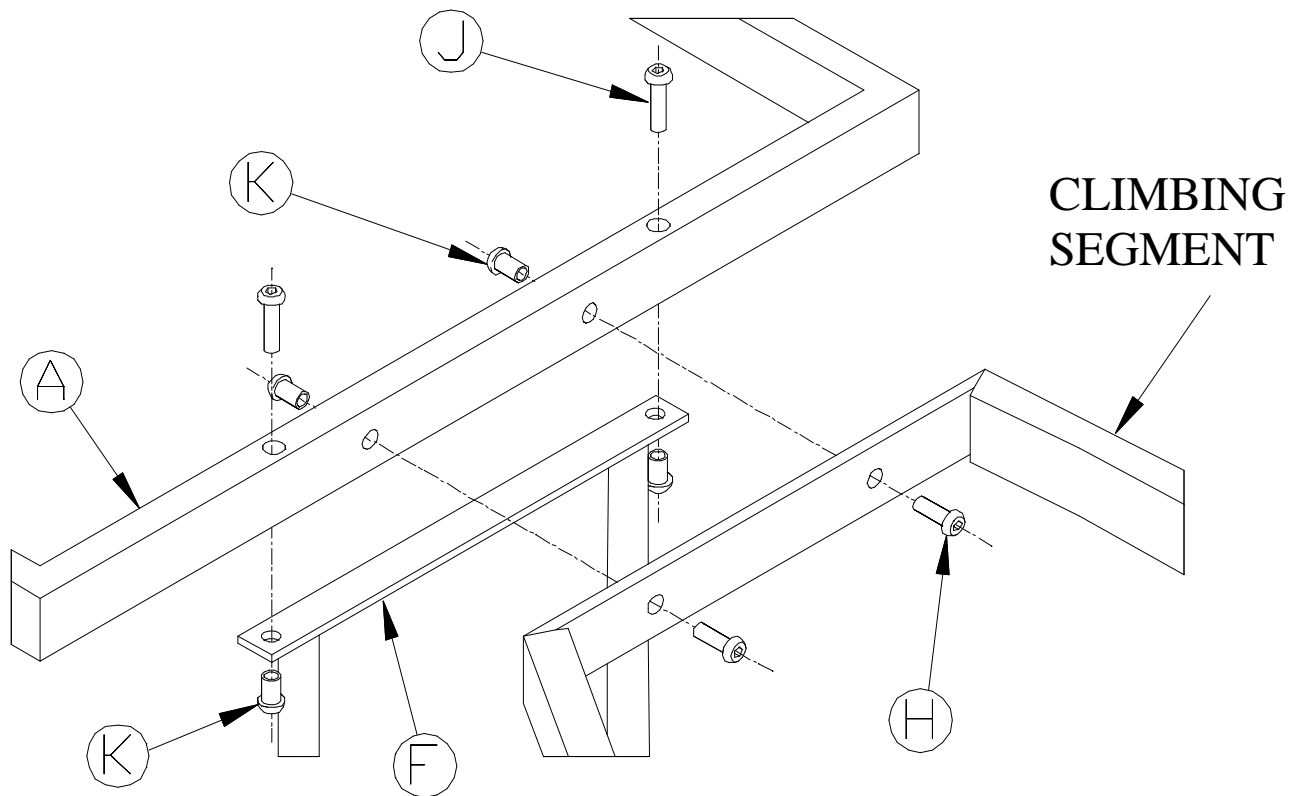
11off 300 x 300 x 375 DEEP



GROUND FIXED.



BARK FIXED.




CHAIN FIXING DETAIL.

REF	QTY	DESCRIPTION (GROUND FIXED)	PART No
A	1	Square Frame	4200-364
B	1	Abyss Assembly	4200-360
C	1	Traverse Assembly	4200-358
D	1	Crevasse Assembly	4200-359
E	1	North Face Assembly	4200-357
F	1	Ladder Assembly	4200-368
G	1	Firemans Climber	4200-367
H	8	M10 x 35 Pent Button Head Screw	2176-127
J	4	M10 x 50 Pent Button Head Screw	2176-129
K	12	M10 Button Head Safety Fastener	2177-002

REF	QTY	DESCRIPTION (BARK FIXED)	PART No
L	11	Below Ground Fixing	5071-003
M	22	M12 x 25 Hex Head Bolts	2175-134

For maintenance instructions see separate sheet.

Note: All spare parts are readily available from Wicksteed Leisure on request.

	COMPILED BY:	APPROVED BY:	REV	1				
	MW		ECN	1334				
	DATE:	DATE:	SIG.	MW				
	12/10/99		DATE.	12/10/99				

