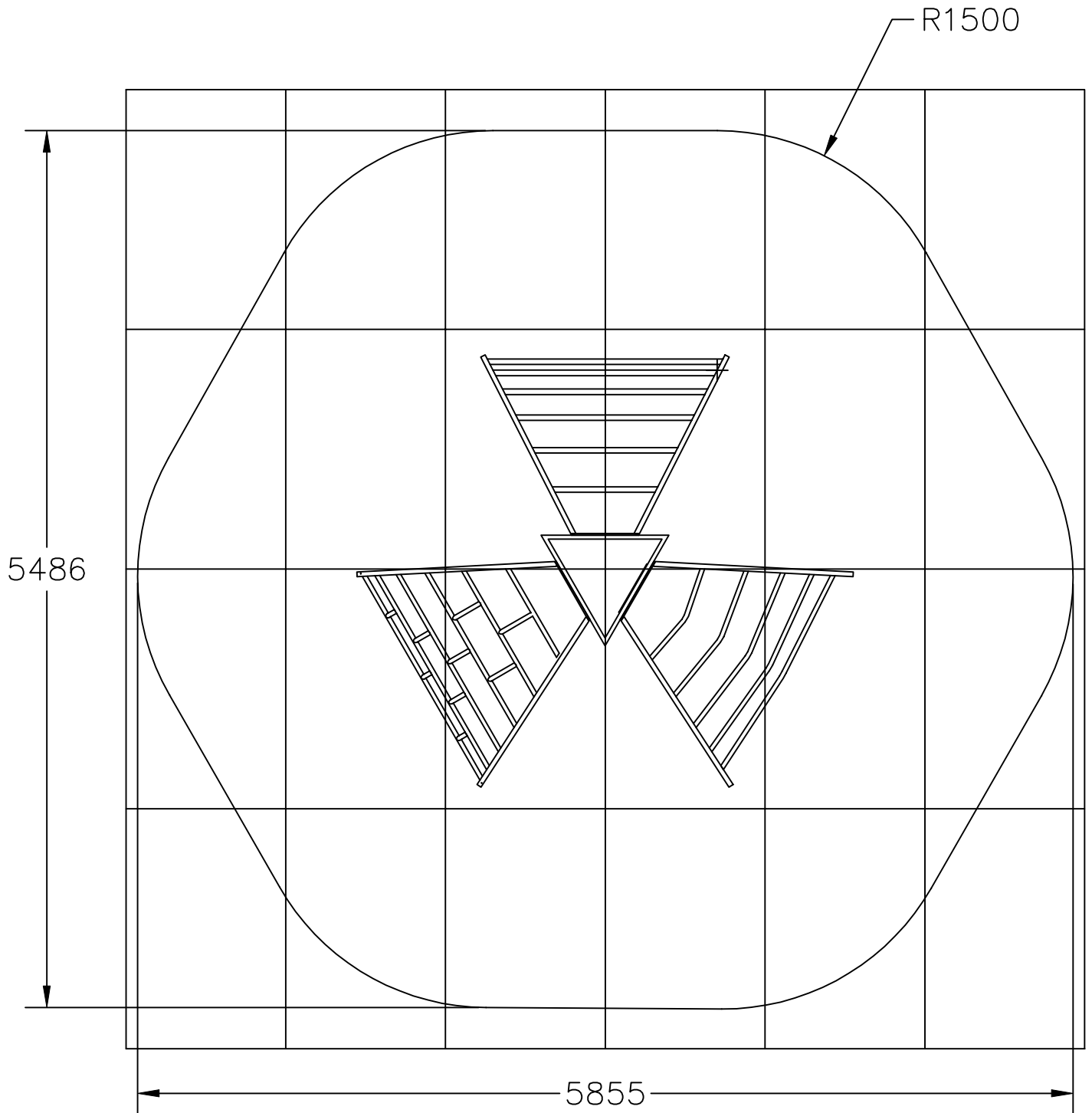
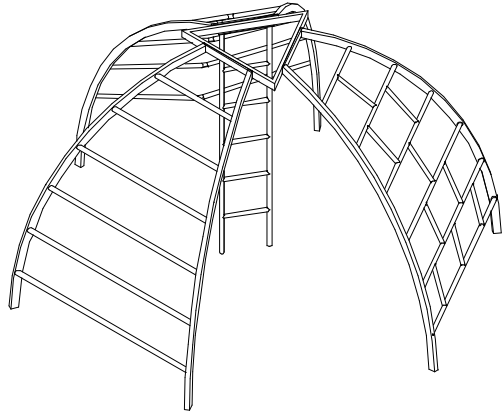


DOME CLIMBER - SKIDDAW 6030-043
25.5 SQ. METRES 70mm WETPOUR
18.5 LINEAR METRES WETPOUR EDGING
24 GRASS MATS
MAX FFH = 1700mm





AGILITY	
SKIDDAW SUMMIT	
PROD CODE:	6030-043
SIZE:	3062mm x 2670mm x 1693mm
AGE RANGE:	5-12 YEARS
FREE FALL HEIGHT:	1693 mm
WEIGHT OF HEAVIEST PART	31 kg
OVERALL WEIGHT OF UNIT	112 kg

DELIVERY LIST – GROUND FIXED		
Part No.	Description	Qty
4200-365	Triangle Frame	1
4200-358	Traverse Assembly	1
4200-359	Crevasse Assembly	1
4200-357	North Face Assembly	1
4200-368	Ladder	1
	Fixing Pack	1

DELIVERY LIST – BARK FIXED		
Part No.	Description	Qty
5071-003	Below Ground Fixing	8
	+ Ground Fixed Items & Fixings	

SPECIFICATION

Solid steel components made from steel to BS 9070 Part 1 (1983).

Nominal Bore Tube (medium) to BS 1387.

Non-standard fastenings are plated for weather protection and designed to deter vandals.

Welds are from copper free wire diameter 1mm to BS EN 440 (1995).

Metal parts coated with low lead polyester paint to BS EN 71 part 3 (1995).

Mild steel chain links to BS 970 part 1 (1983)

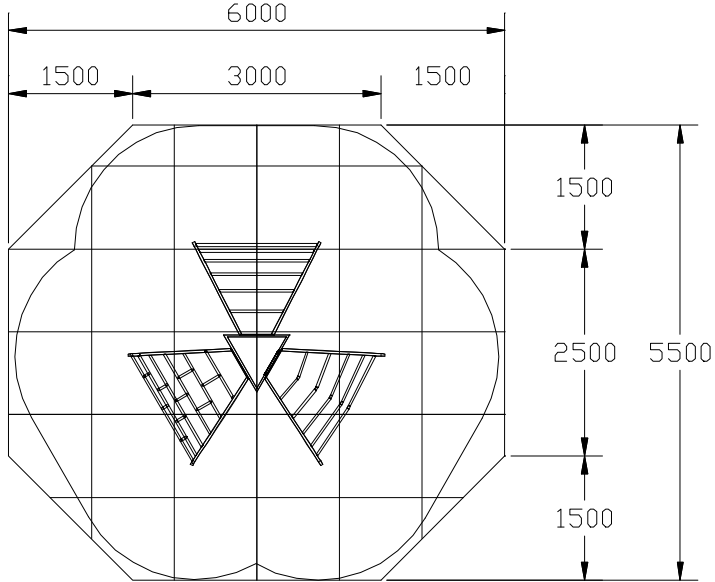
INSTALLATION INSTRUCTIONS

- | | |
|---|---|
| <ol style="list-style-type: none"> 1 Read the installation instructions thoroughly before commencing with the erection of the unit. 2 Excavate foundations in accordance with the details shown in the foundation plan. | <ol style="list-style-type: none"> 3 Place climbing segments in prepared foundations and fix to top frame using M10 fixings provided. 4 Ensuring unit is plumb and square. Backfill foundations with 0.27 cubic metres of concrete. Allow 48 hours drying time. |
|---|---|

Note: M8 bolts to be torqued to 18Nm (13lbf.)
M10 bolts to be torqued to 34Nm (25lbf)
M12 bolts to be torqued to 55Nm (40lbf)
All protruding screw threads to be peened over to remove sharp edges.
Lifting aid will be required when installing this piece of equipment.
Ensure all installation aids are removed before use.



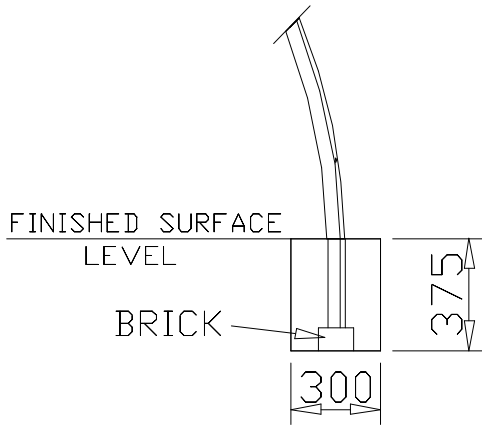
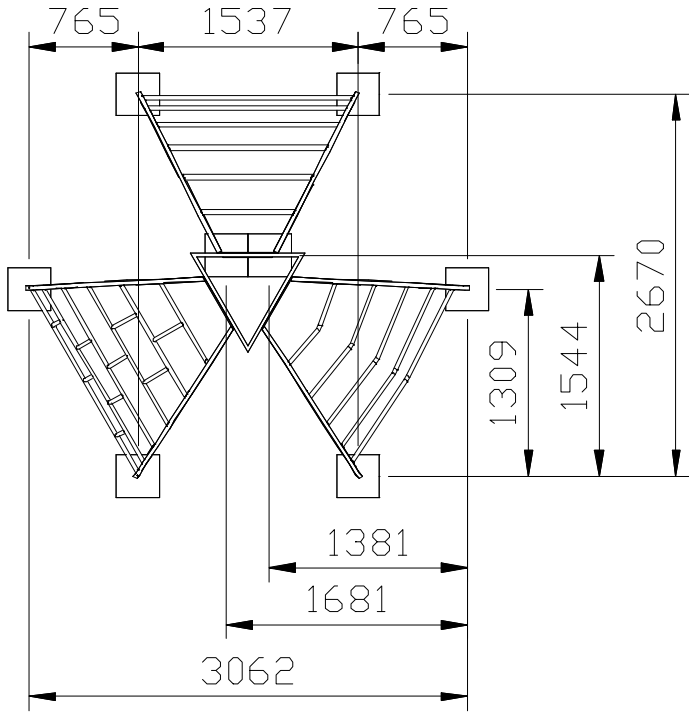
SURFACING & FALLING SPACE DETAIL



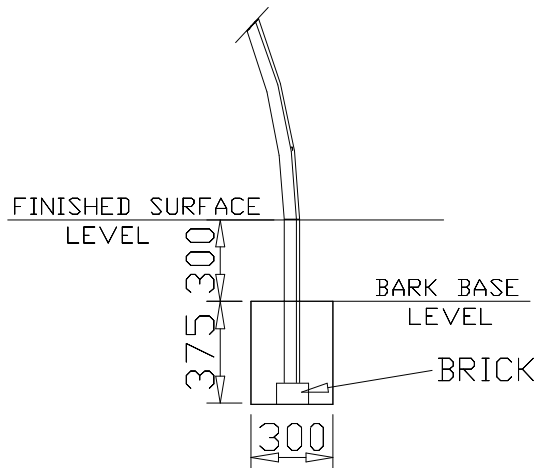
FOUNDATION DETAIL

(Care must be taken under abnormal conditions)

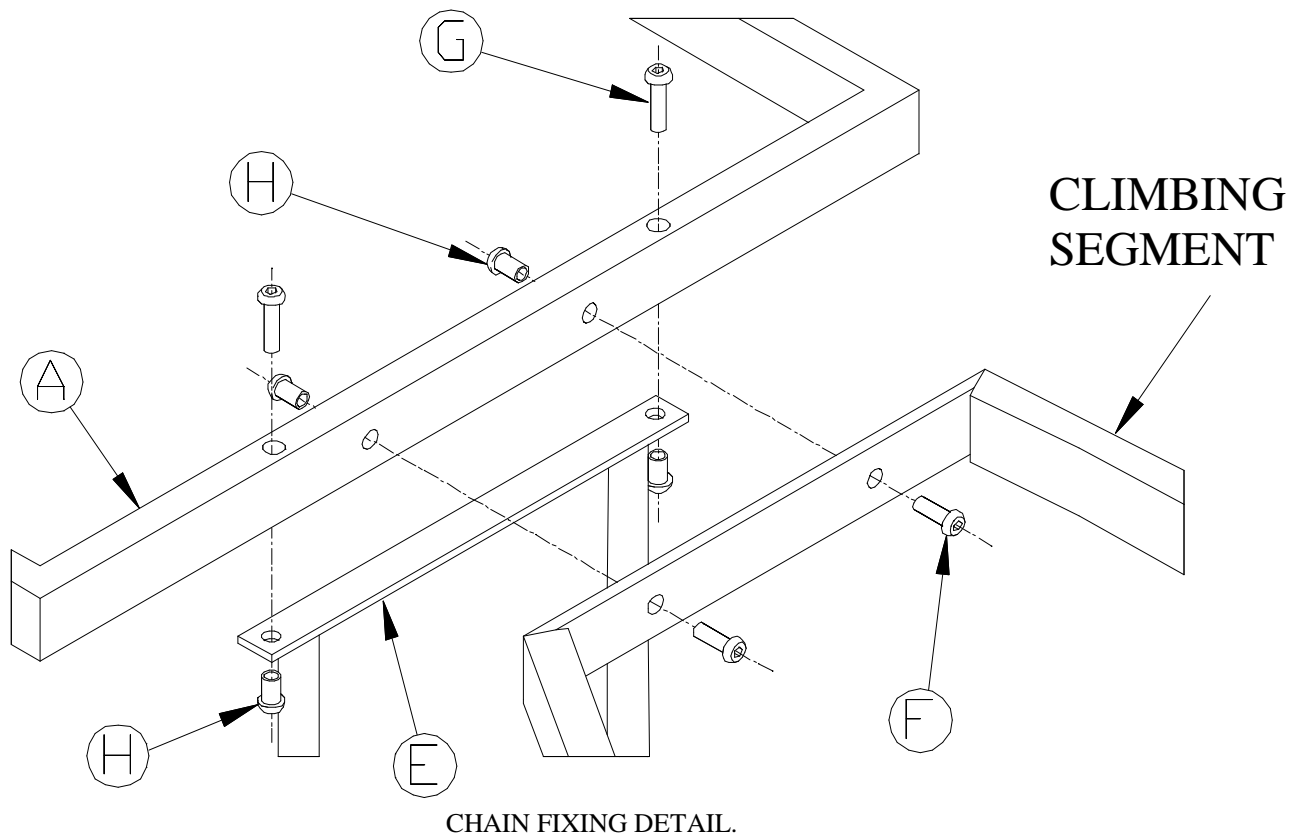
8off 300 x 300 x 375 DEEP



GROUND FIXED.



BARK FIXED.




REF	QTY	DESCRIPTION (GROUND FIXED)	PART No
A	1	Triangle Frame	4200-365
B	1	Traverse Assembly	4200-358
C	1	Crevasse Assembly	4200-359
D	1	North Face Assembly	4200-357
E	1	Ladder Assembly	4200-368
F	6	M10 x 35 Pent Button Head Screw	2176-127
G	2	M10 x 50 Pent Button Head Screw	2176-129
H	8	M10 Button Head Safety Fastener	2177-002

REF	QTY	DESCRIPTION (BARK FIXED)	PART No
L	8	Below Ground Fixing	5071-003
M	16	M12 x 25 Hex Head Bolts	2175-134

For maintenance instructions see separate sheet.

Note: All spare parts are readily available from Wicksteed Leisure on request.

	COMPILED BY:	APPROVED BY:	REV	1				
	MW		ECN	1334				
	DATE:	DATE:	SIG.	MW				
	12/10/99		DATE.	12/10/99				

DESPATCH LIST

Sheet 1 of 1

Product: SKIDDAW

Date of Issue: 10/06/99

Code No. 6030-043

Issue: A

Item	Order Qty	Description	Part No.	Iss.
1	1	TRIANGLE FRAME	4200-365	
2	1	NORTH FACE STEP ASSEMBLY	4200-357	
3	1	TRAVERSE ASSY	4200-358	
4	1	CREVASSE ASSY	4200-359	
5	1	LADDER	4200-368	
6	1	FIXINGS PACK		

Total No. of Items

Picked By: _____

Checked By: _____

COMPILED BY: M.W.	REV	NEW	1	2			
	ECN No.	1334	MINOR	MINOR			
DATE: 10/06/99	DATE	6/10/99	31/03/00	4/5/01			
	SIGN	MW	W.F.D	PG			

FIXINGS LIST

Product: SKIDDAW Date of Issue: 10/06/99

Code No. 6030-043 Issue: A

Item	Order Qty	Description	Part No.	Iss.
1	6	M10 x 35 LG PENT BTN HD SCREW	2176-127	
2	2	M10 x 50 PENT BTN HD SCREW	2176-129	
3	8	M10 SAFETY FASTENER	2177-002	
4	2	PENTAGON KEY	2372-008	
5	8	M12 TUBE PLUGS	2611-017	

Total No. of Items

Picked By: _____ Checked By: _____

COMPILED BY: M.W.	REV	NEW	1	2			
	ECN No.	1334	MINOR	MINOR			
DATE: 10/06/99	DATE	6/10/99	31/03/00	4/5/01			
	SIGN	MW	W.F.D	PG			

DESPATCH LIST

Product: SKIDDAW - BARK FIXED

Date of Issue: 10/06/99

Code No. 6030-046

Issue: A

Item	Order Qty	Description	Part No.	Iss.
1	1	TRIANGLE FRAME	4200-365	
2	1	NORTH FACE ASSY	4200-357	
3	1	TRAVERSE ASSY	4200-358	
4	1	CREVASSE ASSY	4200-359	
5	1	LADDER	4200-368	
6	8	BELOW GROUND FIXING	5071-002	
7	1	FIXINGS PACK		

Total No. of Items

Picked By: _____

Checked By: _____

COMPILED BY: M.W.	REV	NEW	1	2			
	ECN No.	1334	minor	minor			
DATE: 10/06/99	DATE	6/10/99	4/5/01	09/04/03			
	SIGN	MW	PG	PK			

FIXINGS LIST

Sheet 1 of

Product: SKIDDAW - BARK FIXED

Date of Issue: 10/06/99

Code No. 6030-046

Issue: A

Item	Order Qty	Description	Part No.	Iss.
1	6	M10 x 35 LG PENT BTN HD	2176-127	
2	2	M10 x 50 PENT BTN HD	2176-129	
3	8	M10 SAFETY FASTENER	2177-002	
4	16	M12 x 25 HEX HEAD SCREW	2175-134	
5	2	PENTAGON KEY	2372-008	
6	8	M12 TUBE PLUGS	2611-017	

Total No. of Items

Picked By: _____

Checked By: _____

COMPILED	REV	NEW	1	2			
BY: M.W.	ECN No.	1334	minor	minor			
DATE:	DATE	6/10/99	4/5/01	09/04/03			
10/06/99	SIGN	MW	PG	PK			