


| | |
|---|------------|
| Boulders | |
| Gritstone | |
| PROD. CODE | 603-GRIT |
| SIZE | 3.4 x 2.2m |
| AGE RANGE | 8 to Adult |
| F/ FALL HEIGHT | 2.5m |
| HEAVIEST PART | 9.4 Tonnes |
| TOTAL WEIGHT | 9.4 Tonnes |
|  WICKSTEED playscapes | |

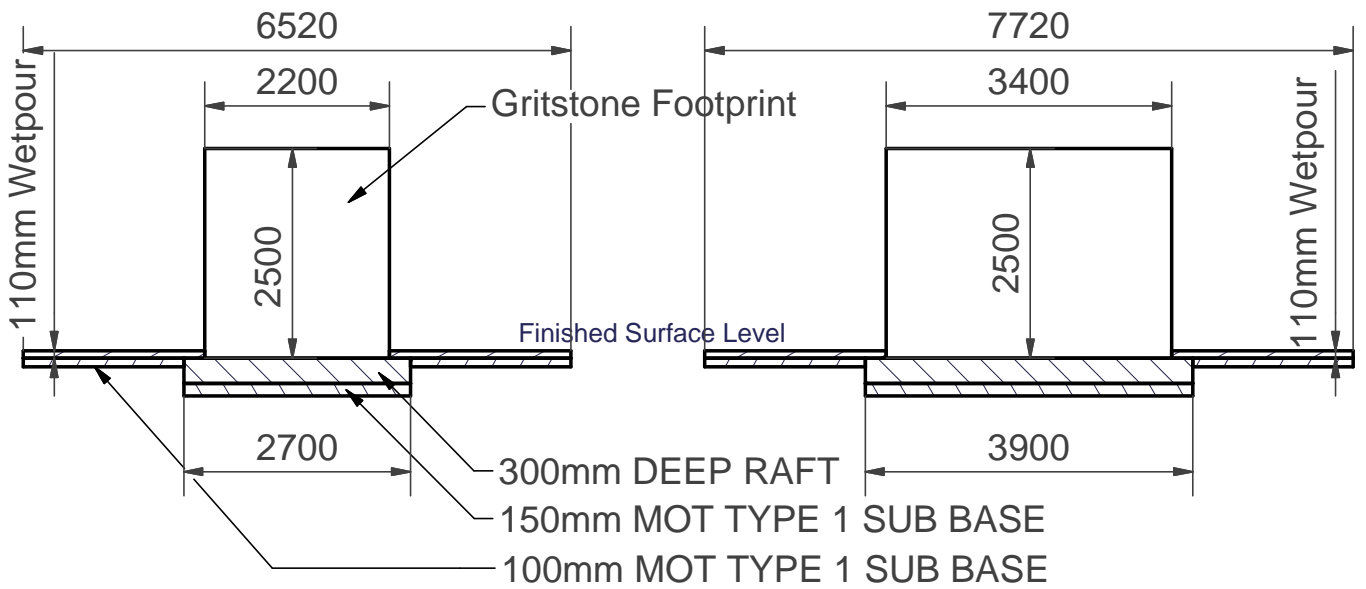
SPECIFICATION

INSTALLATION INSTRUCTIONS

Note

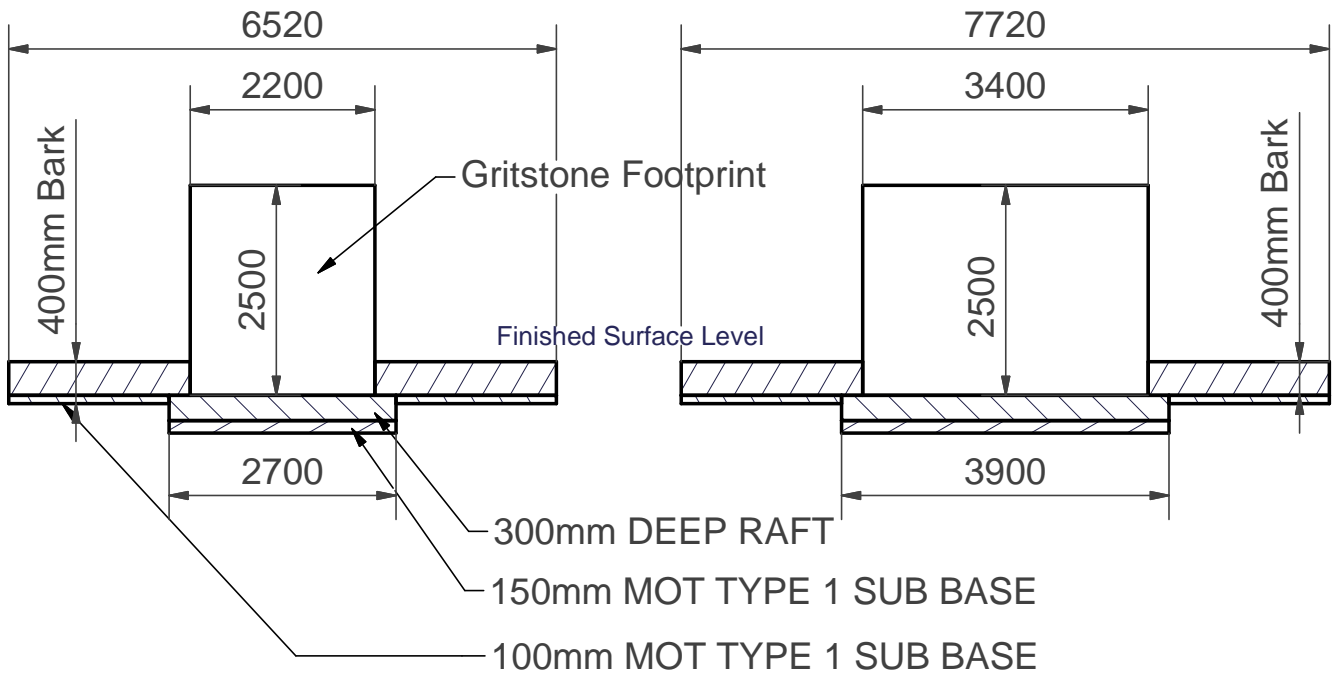
Note

Gritstone Wetpour Foundation Details



NOTE
RAFT TO BE C35 CONCRETE WITH A393 MESH SET AT 50mm FROM
BOTTOM OF RAFT

Gritstone Bark Fix Foundation Details



| | | | | | | | | | |
|-------------------|-------|----------|----------|--|--|--|--|--|--|
| COMPILED TE | REV | 0 | 1 | | | | | | |
| | ECN | 1606 | Minor | | | | | | |
| DATE: 02/07/09 | SIG. | DB | MC | | | | | | |
| | DATE: | 12/04/10 | 16/01/19 | | | | | | |